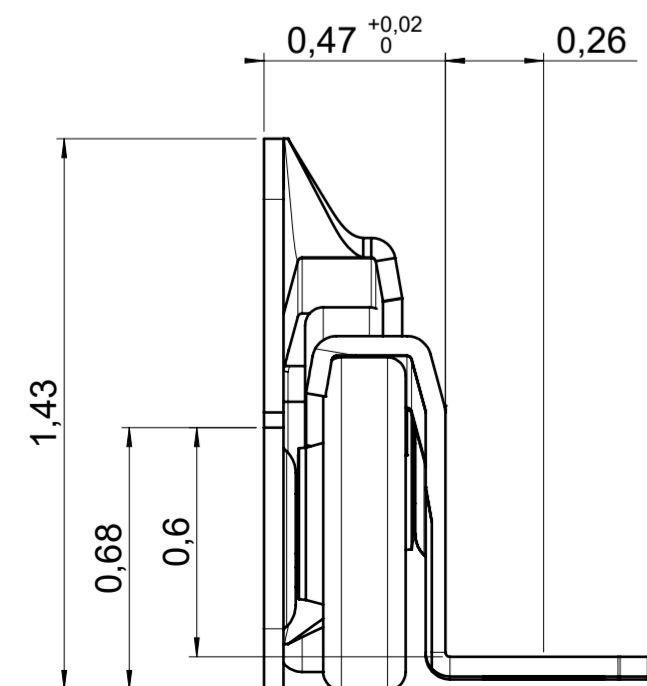
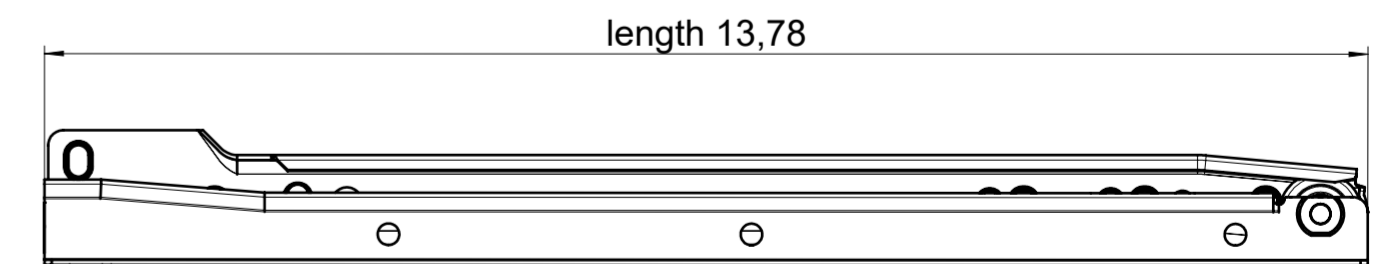
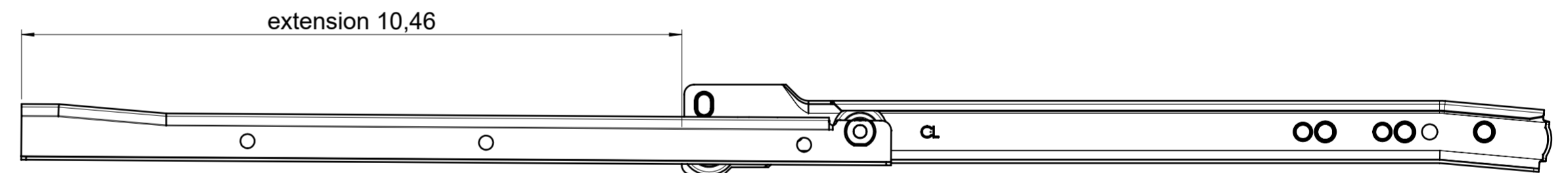
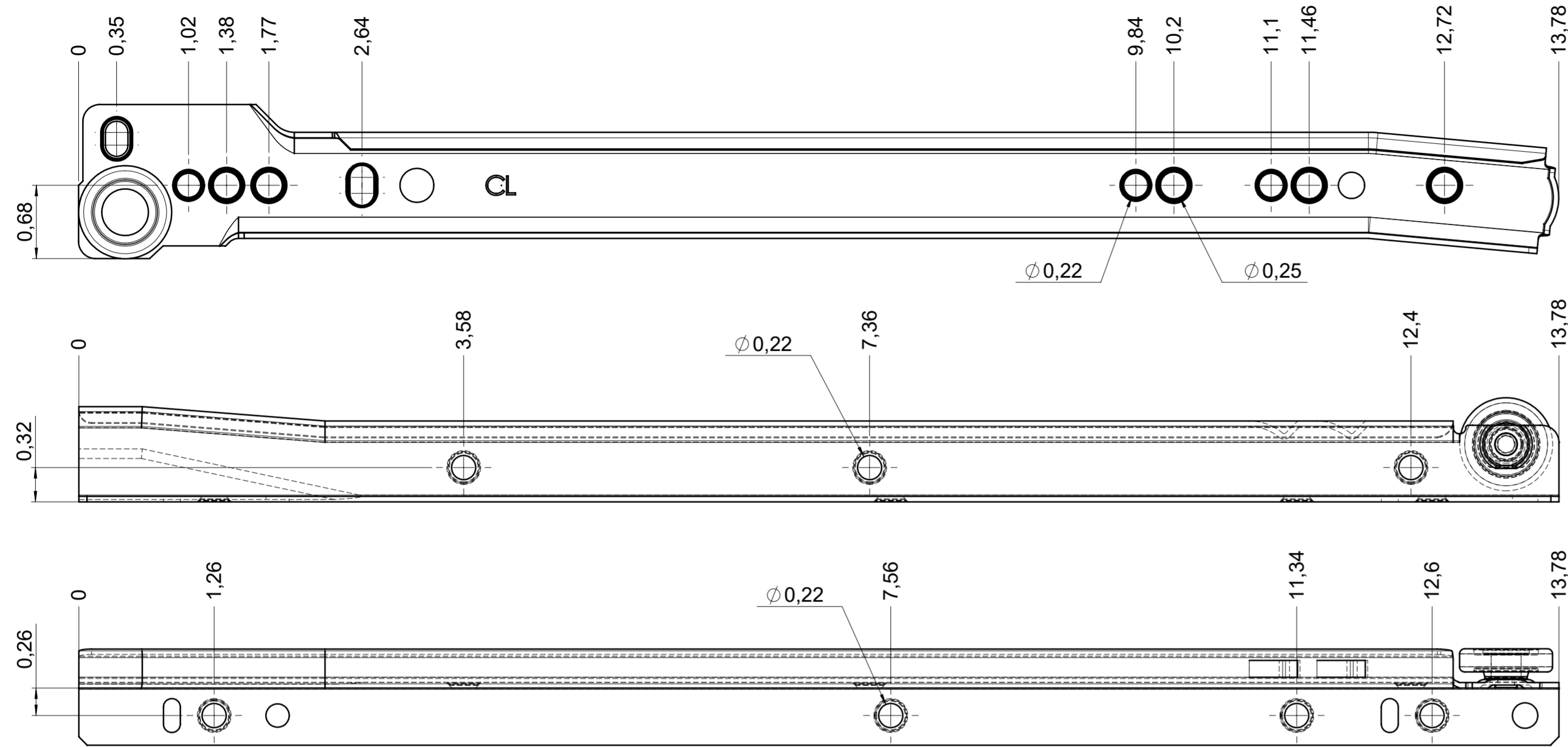


drawn left

dimensions without coating / maximum coating allowed 0.004in



**final approval**

customer name:

signed by:

date:

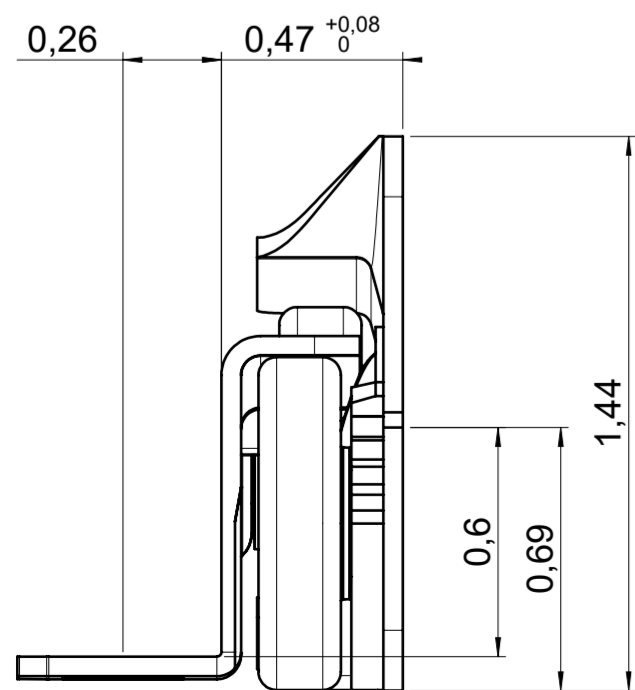
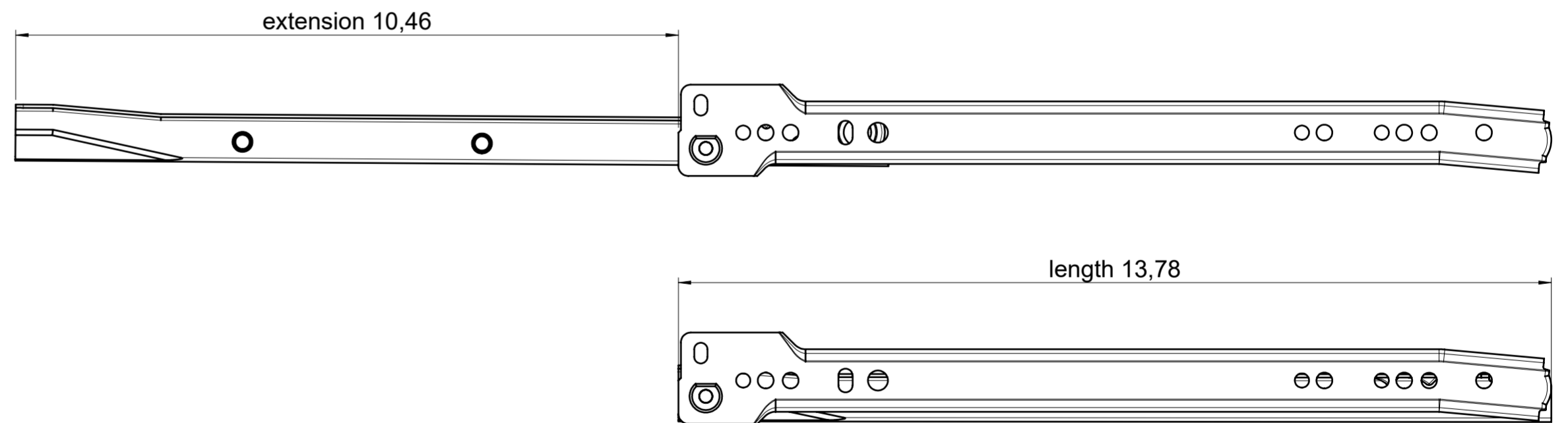
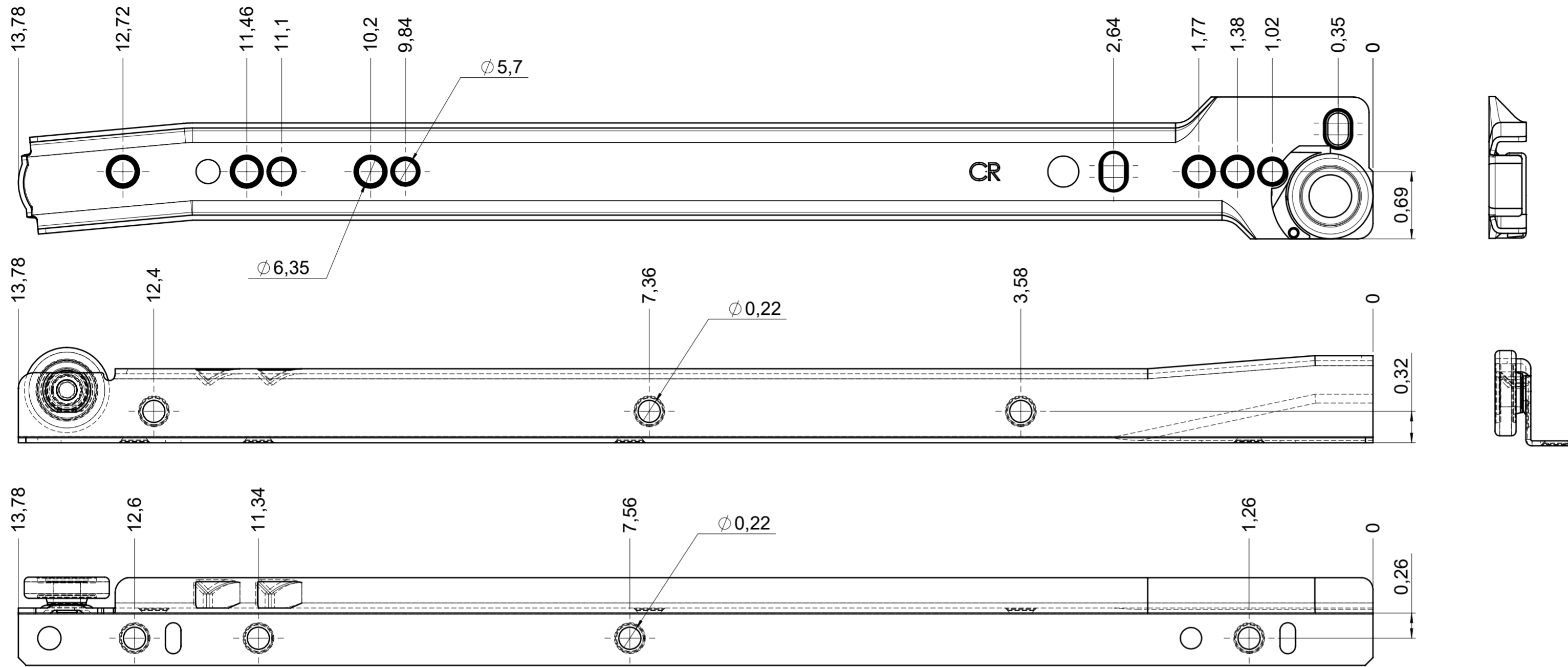
**all dimensions in inch**

DIN ISO 128-30  
missing dimensions see 3D  
 = theor. intersection

This drawing remains our property and may not be multiplied neither be disclosed to third parties (§§1,3 and 5 from the copyright Act (UrhG)) covered according to DIN ISO 16016				scale: 1:1	surface:	material, semi finished parts: STEEL (technical requirements Fulterer)	A2
(k)				date	name	description: FR 2021 / 35 EN (inch) regular-extension drawerside / bottom mount	drawing number: 2021.350-GA.0000.li
(l)				drawn 12-12-2022	pr		
(m)				proven 02-01-2023	pr		
(n)				<b>Fulterer</b>		drawing number: 2021.350-GA.0000.li	replaces version date:
(o)							
(p)				Fulterer AG CH-9430 St. Margrethen			
(q)				ind.	changes	date	na.

drawn right

dimension without coating / maximum coating allowed 0.004in



**final approval**

customer name:

signed by:

date:

**all dimensions in inch**

DIN ISO 128-30  
missing dimensions see 3D  
= theor. intersection

This drawing remains our property and may not be multiplied neither be disclosed to third parties (§§1,3 and 5 from the copyright Act (UrhG)) covered according to DIN ISO 16016				scale: 1:1	surface:	material, semi finished parts: STEEL (technical requirements Fulterer)	A2
(k)				date	name	description: FR 2021 / 35 EN (inch) regular-extension drawerside / bottom mount	drawing number: <b>2021.350-GA.0000.re</b> replaces version date:
(l)			drawn 12-12-2022	pr			
(m)			proven 02-01-2023	pr			
(n)			<b>Fulterer</b>		Fulterer AG & Co KG A-6890 Lustenau / Austria Fulterer AG CH-9430 St. Margrethen		
(o)							
(p)							
(q)							
(r)							
(s)							
(t)							
(u)							
(v)							
(w)							
(x)							
(y)							
(z)							
ind.	changes	date	na.				