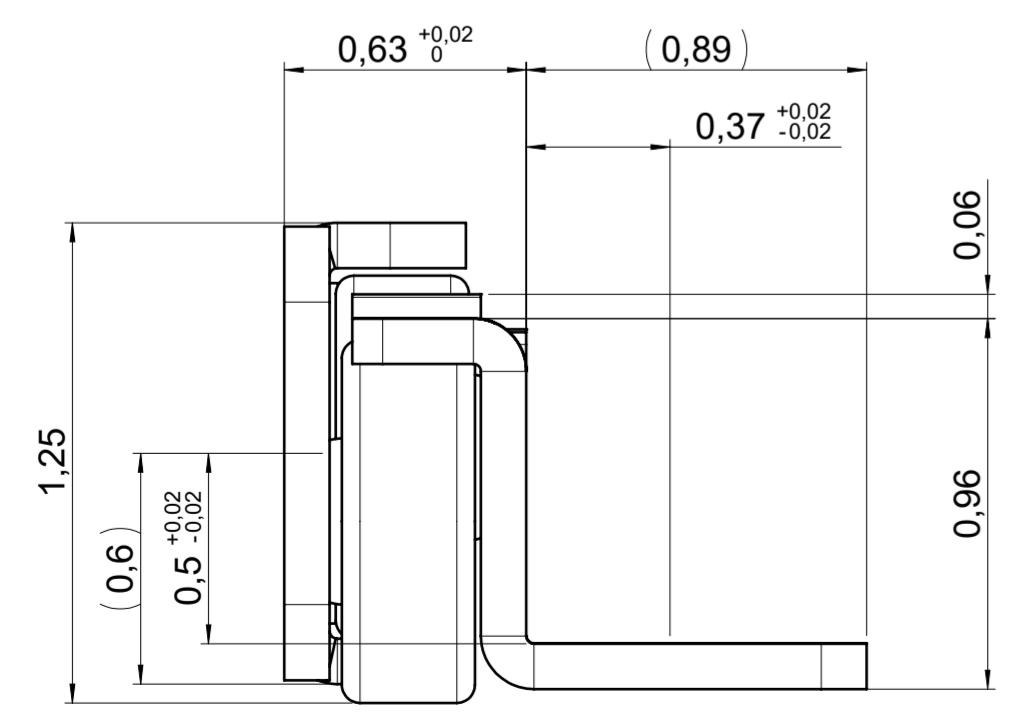
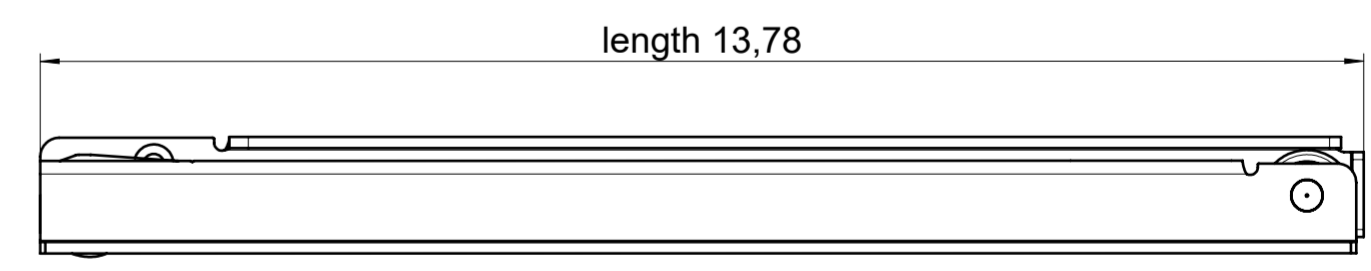
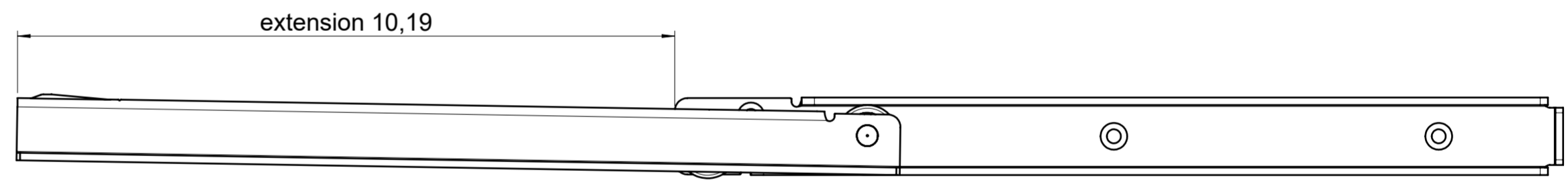
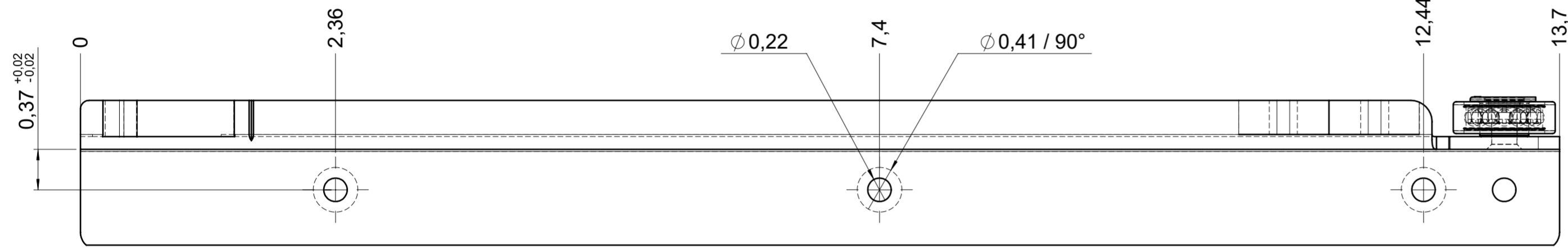
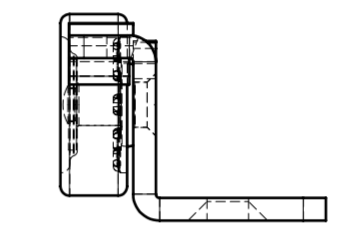
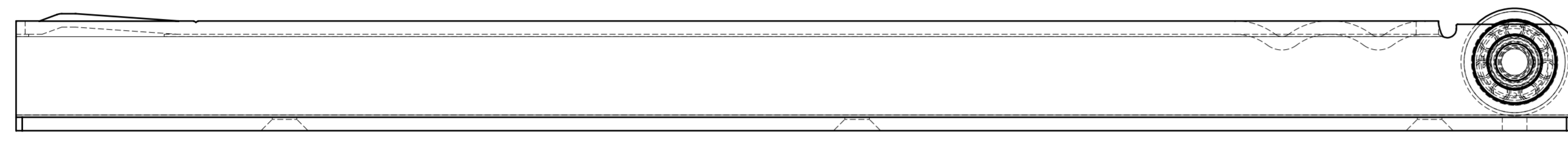
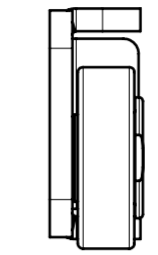
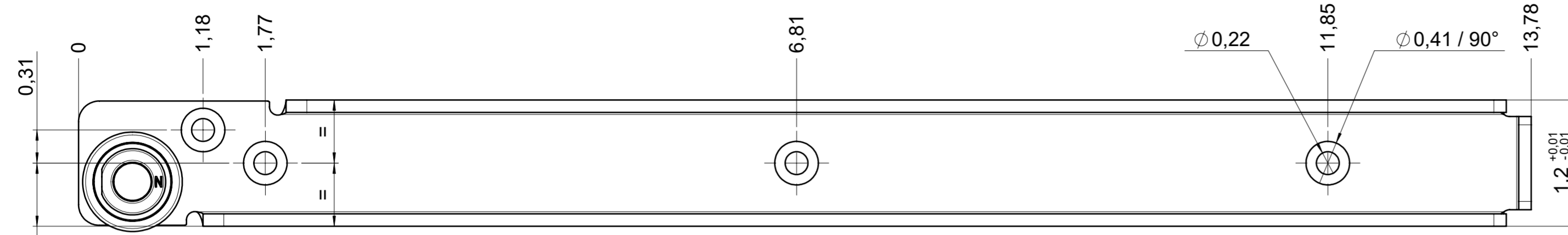


drawn left (right mirrorimage)

dimensions without coating / maximum coating allowed 0.004in



final approval

customer name:

signed by:

date:

all dimensions in inch				DIN ISO 128-30 missing dimensions see 3D = theor. intersection		
This drawing remains our property and may not be multiplied neither be disclosed to third parties (§§1,3 and 5 from the copyright Act (UrhG)) covered according to DIN ISO 16016						
(k) (l) (m) (n) (o) (p) (q) (r) (s) (t) (u) (v) (w) (x) (y) (z)	scale:	1:1		surface:	material, semi finished parts: STEEL	
	drawn	date	name	ex	(technical requirements Fulterer)	
	proven	02-01-2023		pr		
	Fulterer				description: FR 206 / 35 EN (inch) regular-extension drawerside / bottom mount	
	Fulterer AG & Co KG A-6890 Lustenau / Austria Fulterer AG CH-9430 St. Margrethen				drawing number: 206.350-GA.SB00 replaces version date:	
ind.	changes	date	na.			