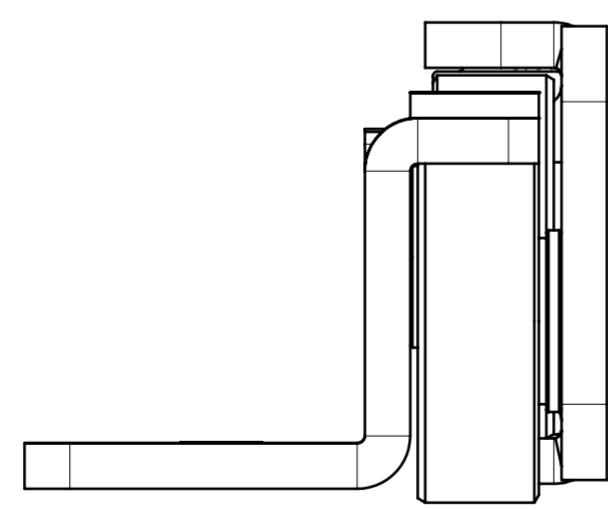
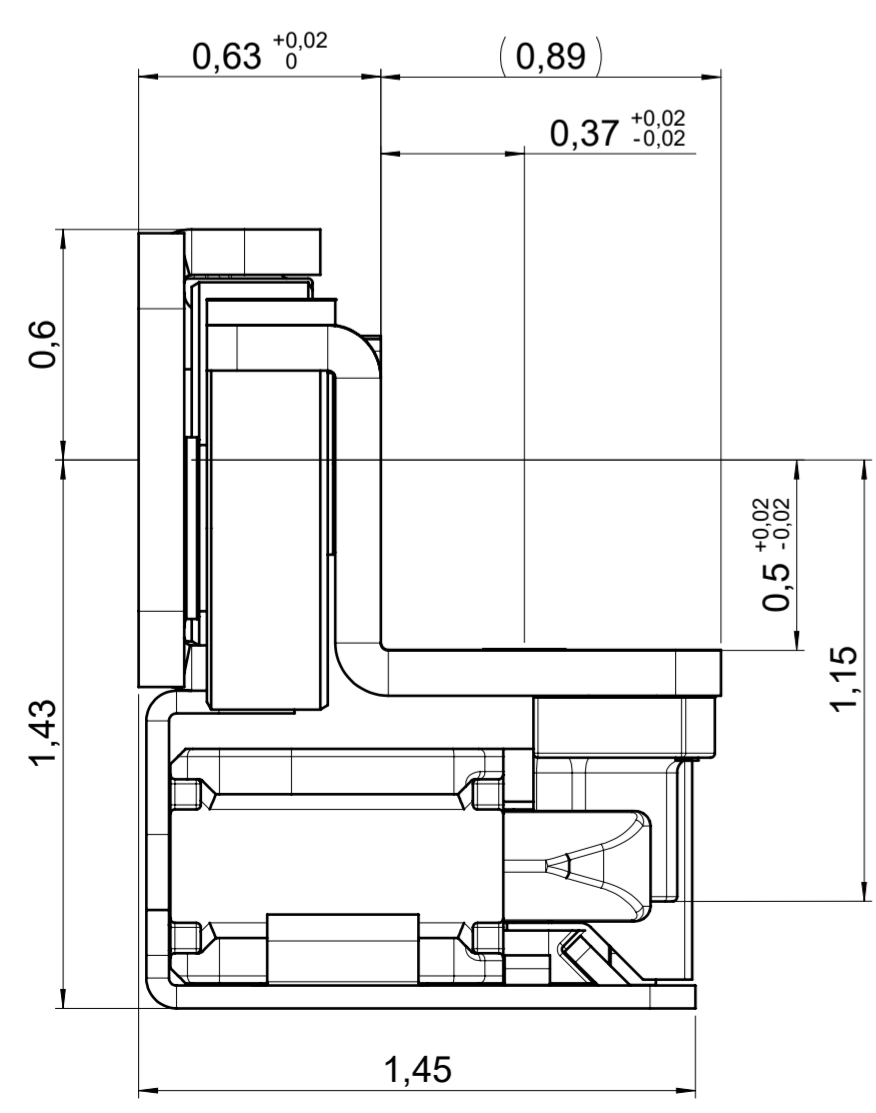
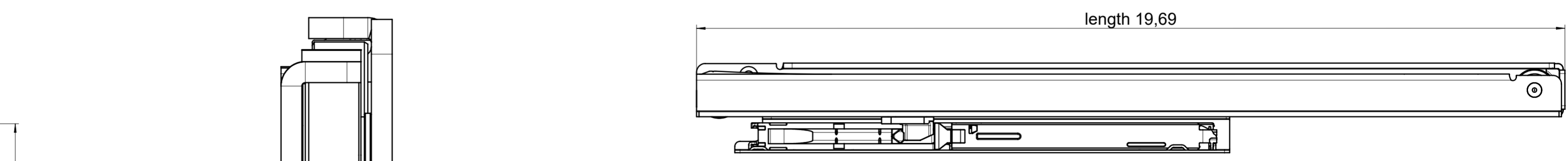
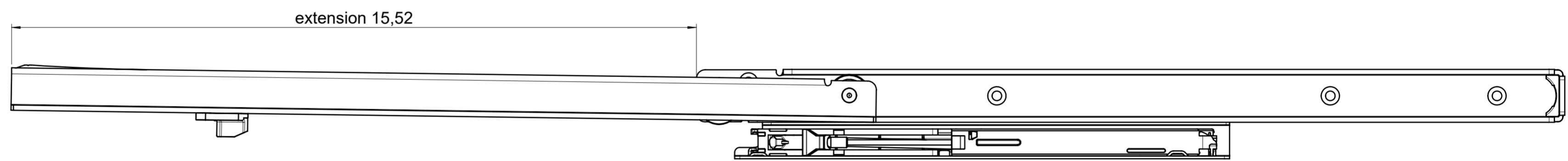
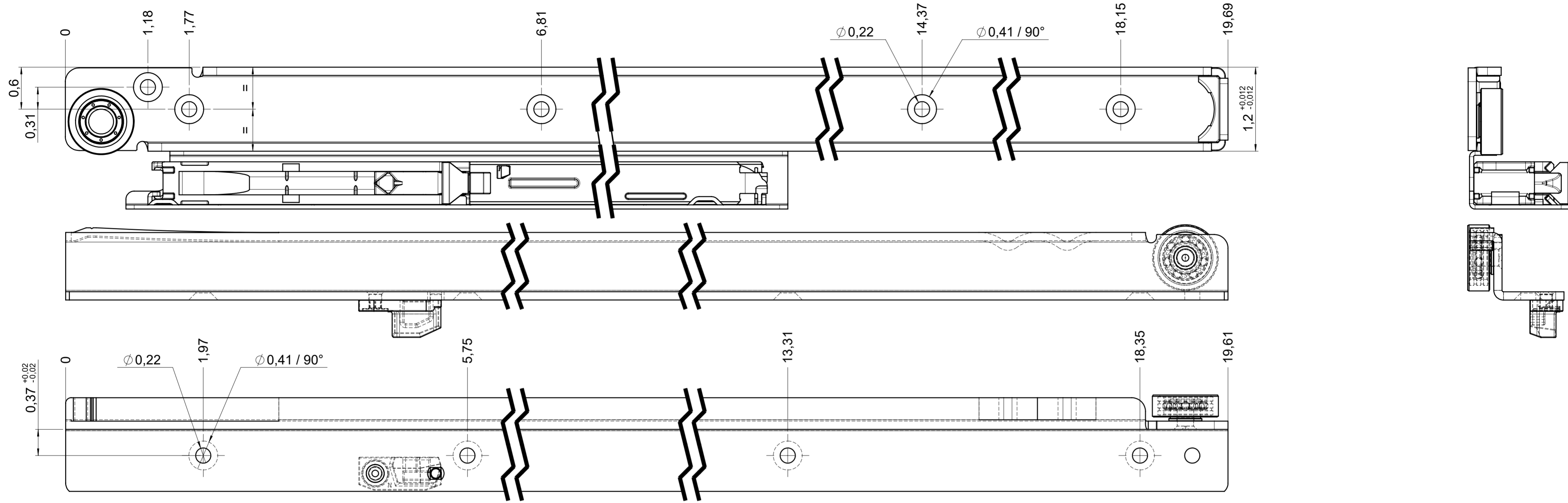


drawn left (right mirrorimage)



right without ECD

left with ECD

final approval

customer name:

signed by:

date:

all dimensions in inch				DIN ISO 128-30 missing dimensions see 3D = theor. intersection	
This drawing remains our property and may not be multiplied neither be disclosed to third parties (§§1,3 and 5 from the copyright Act (UrhG)) covered according to DIN ISO 16016					
scale: 1:1		surface:		material, semi finished parts: STEEL (technical requirements Fulterer)	
drawn 01-05-2023		date 01-05-2023		name ex	
proven 08-05-2023		date 08-05-2023		name pr	
				description: FR 206 / 500 EN (inch) regular-extension drawerslide / bottom mount	
				drawing number: 206.500-GA.L529	
Fulterer AG & Co KG A-6890 Lustenau / Austria Fulterer AG CH-9430 St. Margrethen				replaces version date:	
ind.	changes	date	na.		