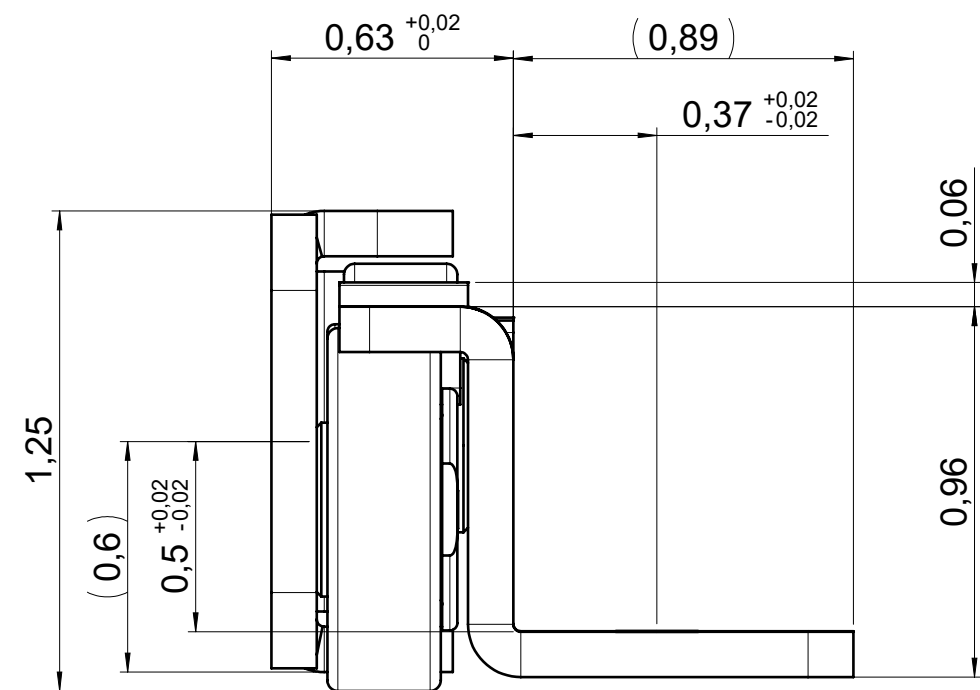
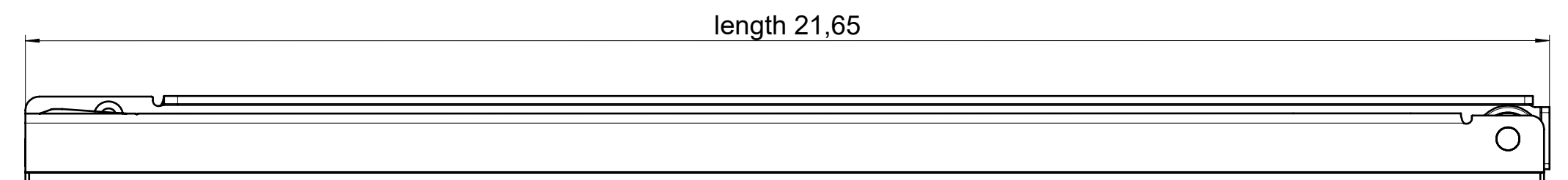
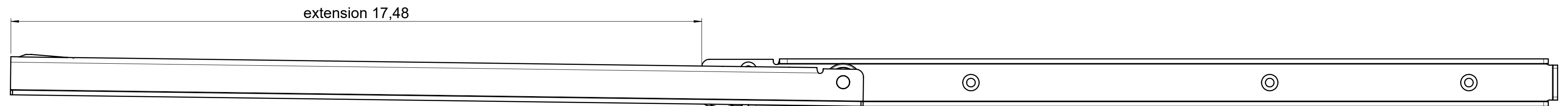
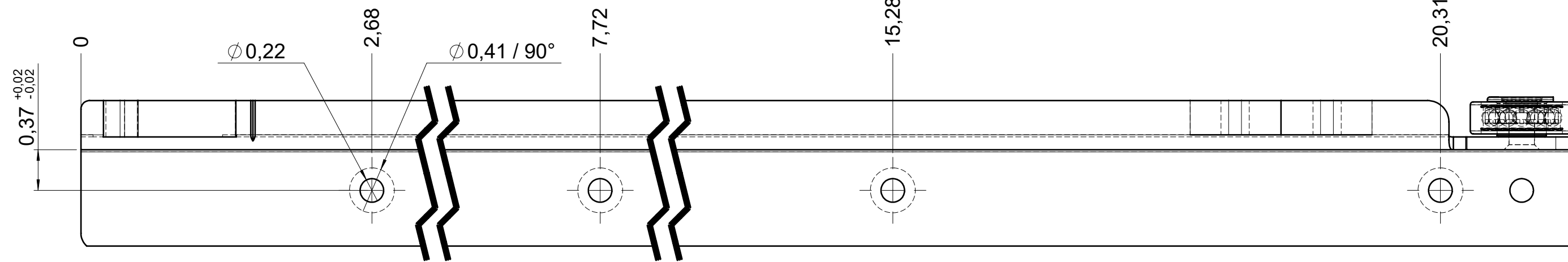
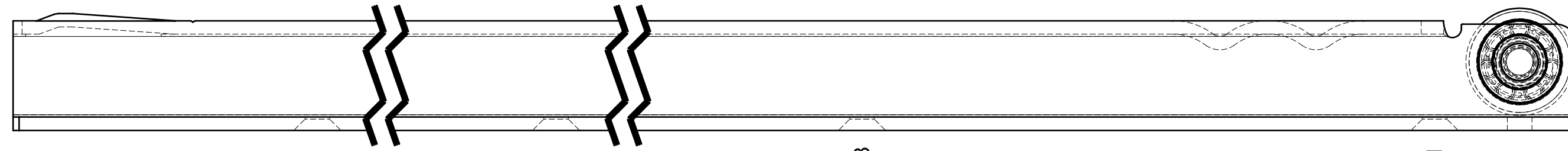
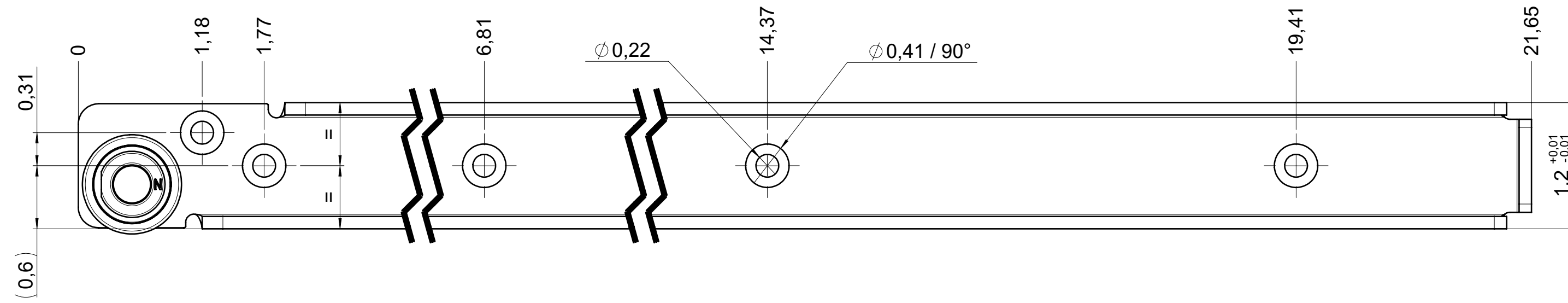


drawn left (right mirrorimage)



**final approval**

customer name:

signed by:

date:

**all dimensions in inch**

DIN ISO 128-30  
missing dimensions see 3D  
= theor. intersection

|  |  |  |  |  |          |   |   |
|--|--|--|--|--|----------|---|---|
| This drawing remains our property and may not be multiplied neither be disclosed to third parties (§§1,3 and 5 from the copyright Act (UrhG)) covered according to DIN ISO 16016 |  |  |  | scale: 1:1                                       | surface: | material, semi finished parts: STEEL (technical requirements Fulterer)                  | A2  |
| (k)  |  |  |  | date   | name     | description:<br>FR 206 / 55 EN (inch)<br>regular-extension<br>drawerside / bottom mount | drawing number:<br><b>206.550-GA.0000</b><br>replaces version date: |
| (l)  |  |  |  | drawn 24-11-2022                                 | ex       |   |   |
| (m)  |  |  |  | proven 02-01-2023                                | pr       |   |   |
| (n)  |  |  |  | <b>Fulterer</b>                                  |          |   |   |
| (o)  |  |  |  | Fulterer AG & Co KG<br>A-6890 Lustenau / Austria |          |   |   |
| (p)  |  |  |  | Fulterer AG<br>CH-9430 St. Margrethen            |          |   |   |
| (q)  |  |  |  | changes  | date     | na.   |   |