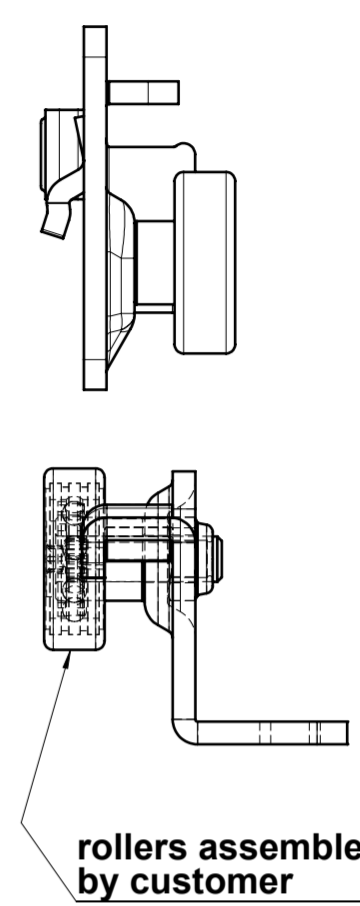
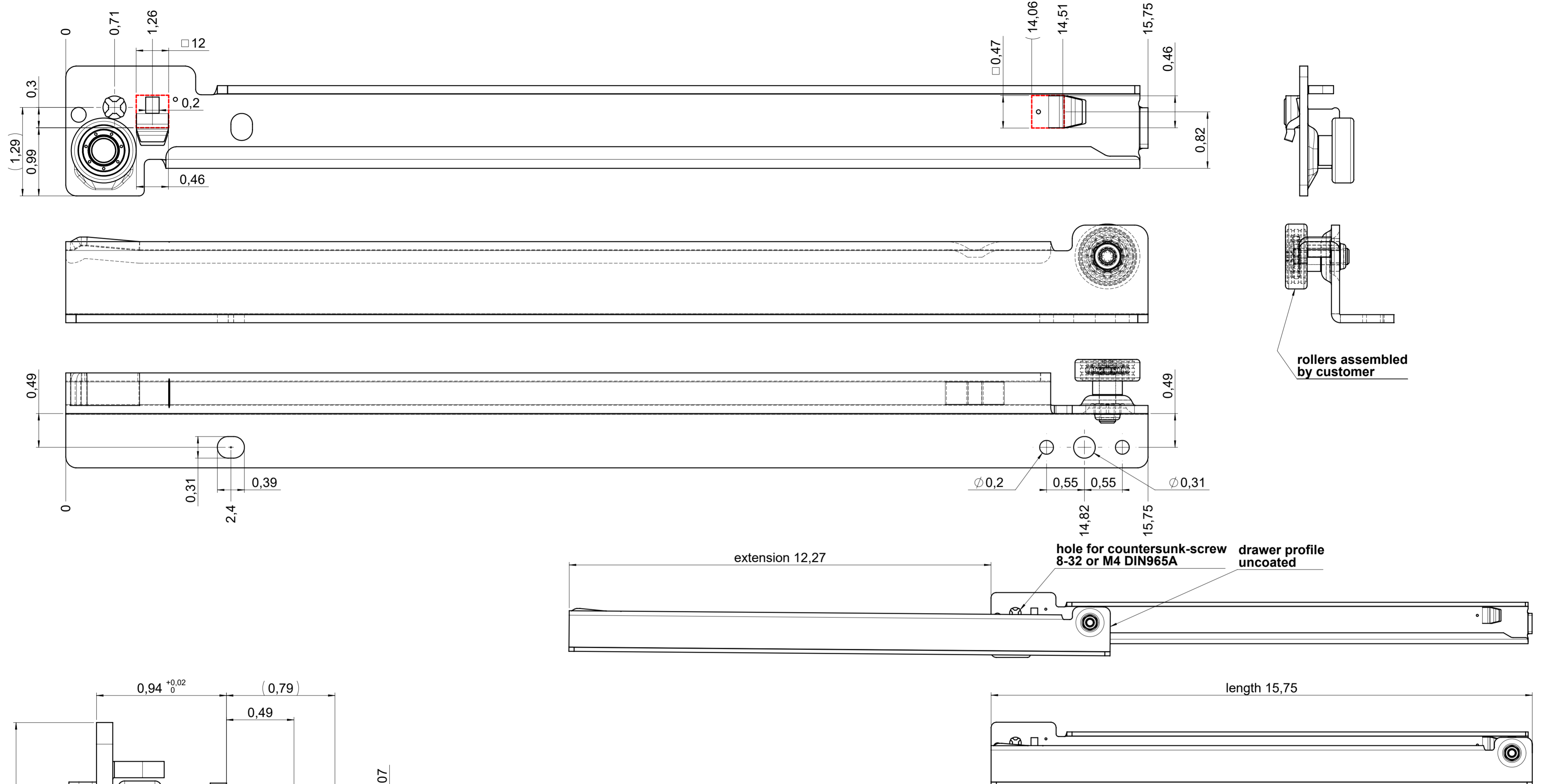


drawn left (right mirrorimage)

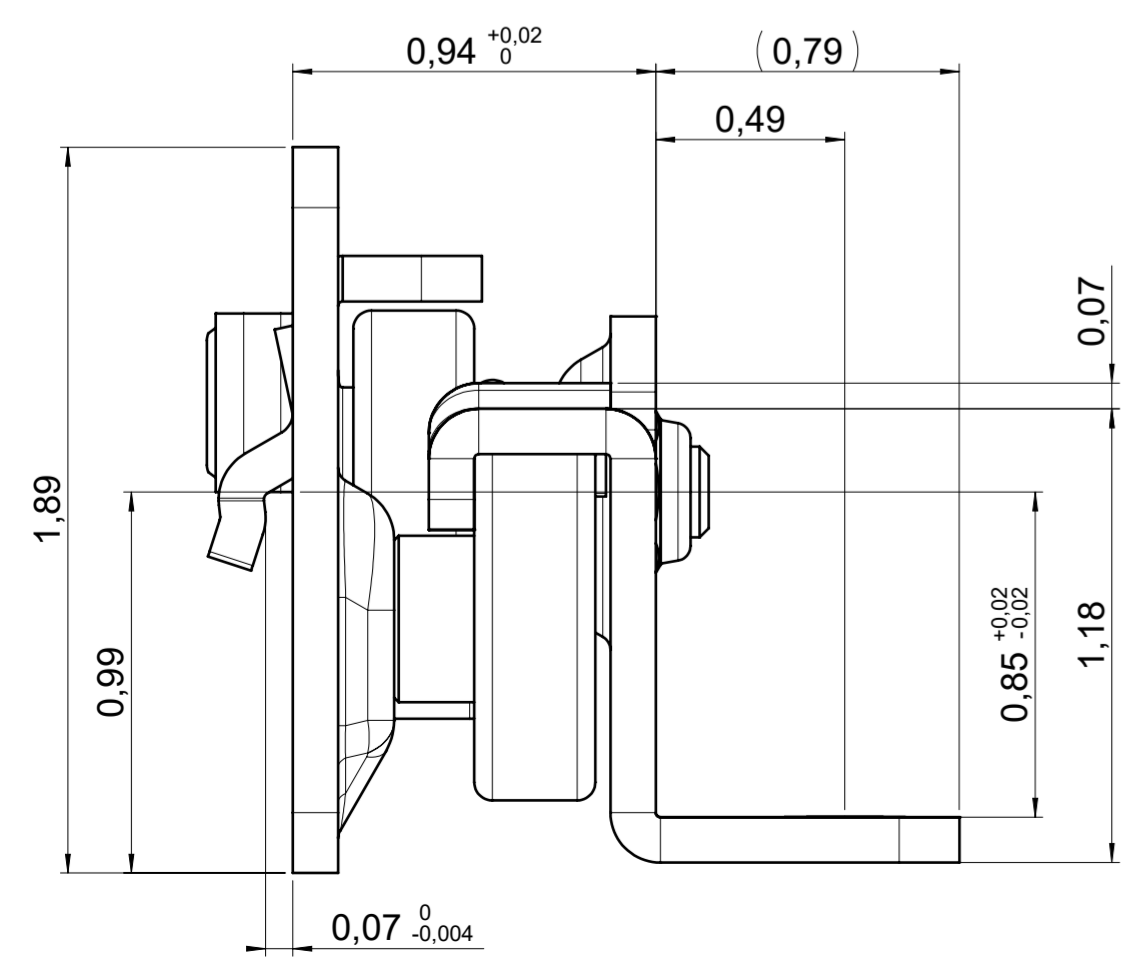
dimensions without coating / maximum coating allowed 0.004in



extension 12,27

hole for countersunk-screw 8-32 or M4 DIN965A
drawer profile uncoated

length 15,75



final approval

customer name:

signed by:

date:

all dimensions in inch				DIN ISO 128-30 missing dimensions see 3D = theor. intersection	
This drawing remains our property and may not be multiplied neither be disclosed to third parties (§§1,3 and 5 from the copyright Act (UrhG)) covered according to DIN ISO 16016					
scale: 1:1		surface:		material, semi finished parts: STEEL (technical requirements Fulterer)	
drawn 01-02-2023		date		description: FR 215 / 40 EN (inch) regular-extension drawerside / bottom mount	
proven 01-02-2023		name		drawing number: 215.400-GA.U004	
Fulterer		Fulterer AG & Co KG A-6890 Lustenau / Austria		replaces version date:	
Fulterer AG CH-9430 St. Margrethen		ind.		changes	
date		na.			