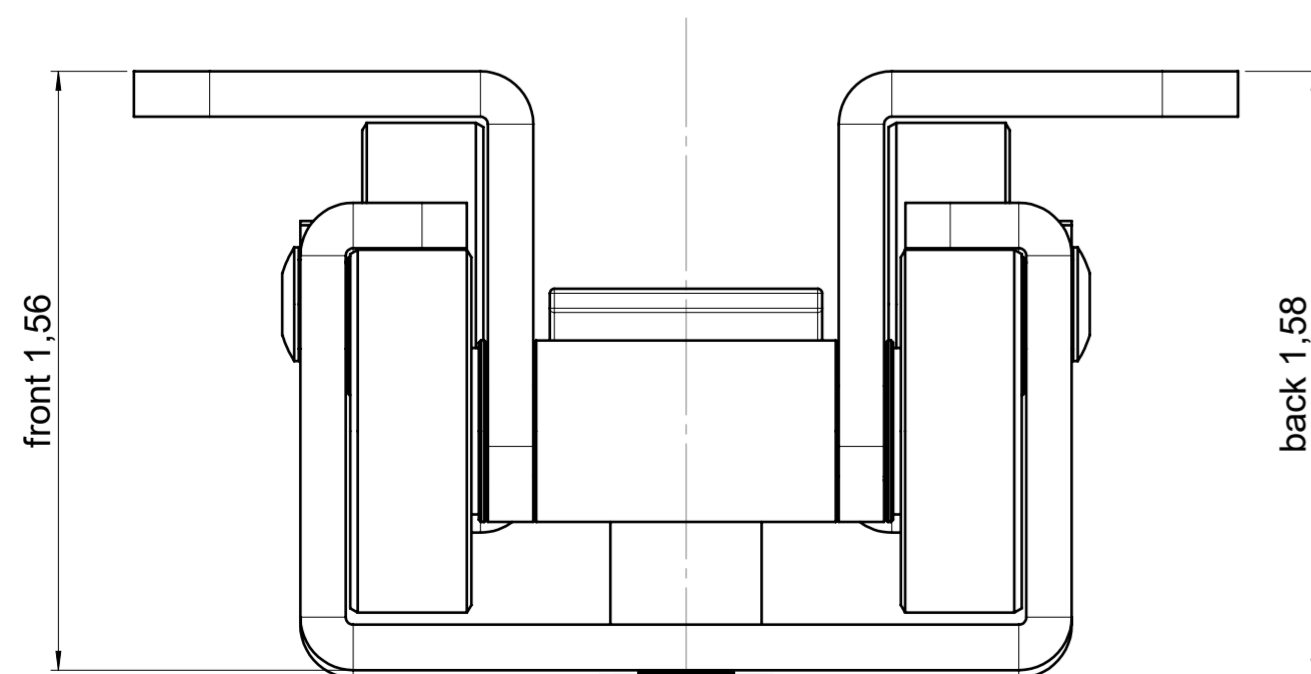
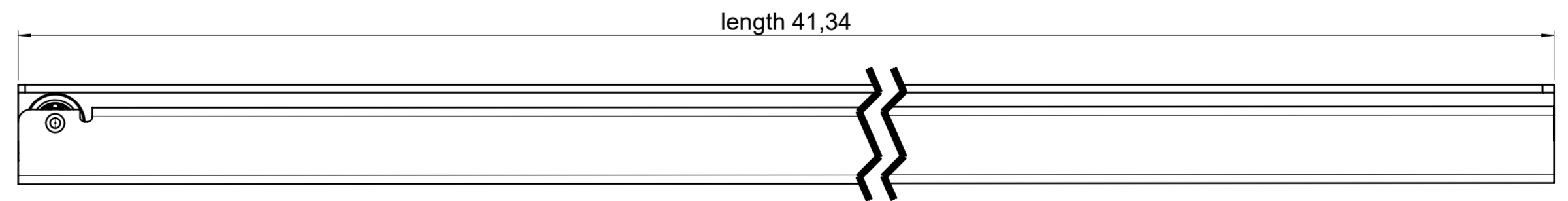
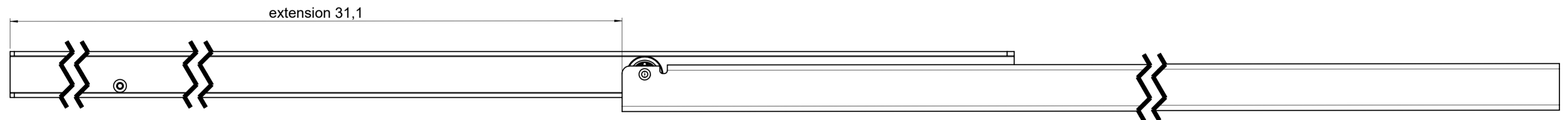
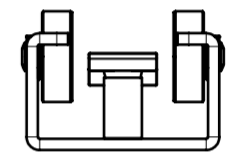
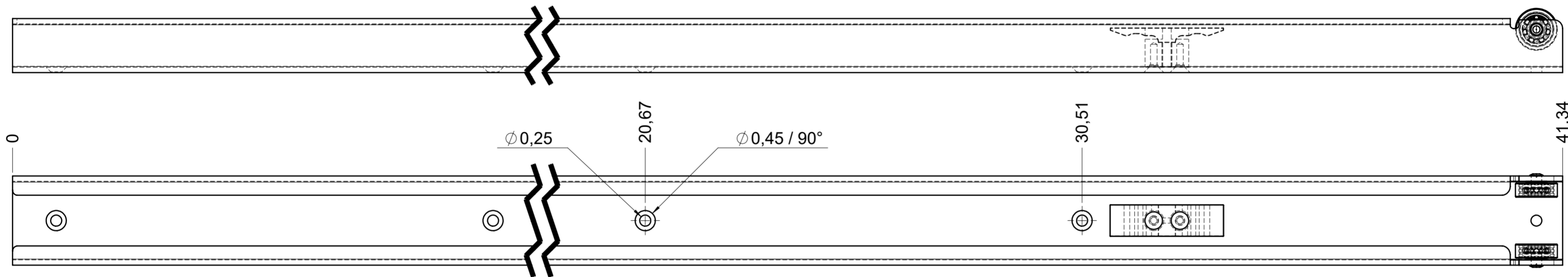
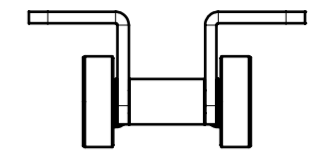
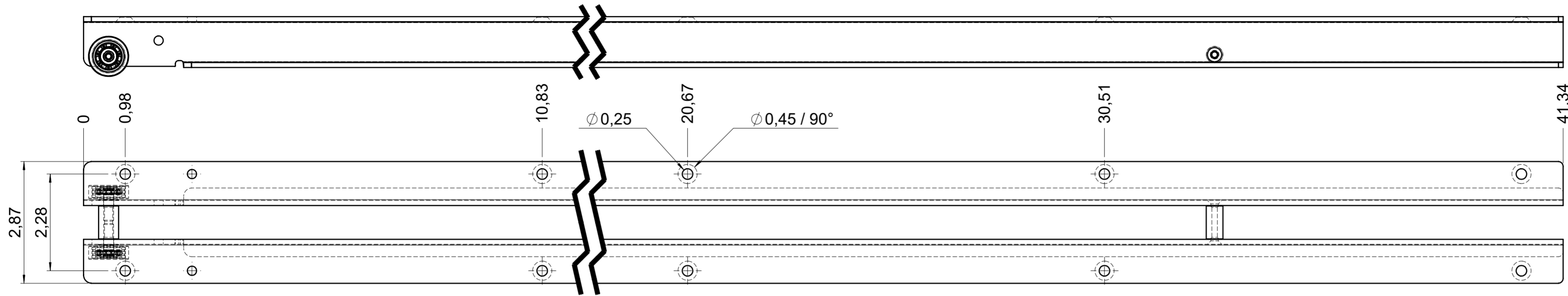


drawn left (right mirrorimage)

dimensions without coating / maximum coating allowed 0.004in



final approval

customer name:

signed by:

date:

all dimensions in inch

DIN ISO 128-30
missing dimensions see 3D
 = theor. intersection

This drawing remains our property and may not be multiplied neither be disclosed to third parties (§§1,3 and 5 from the copyright Act (UrhG)) covered according to DIN ISO 16016				scale: 1:2	surface: STEEL	material, semi finished parts: STEEL (technical requirements Fulterer)	A2
(k)				date	name	description: FR 505T / 105 EN (inch) regular-extension vertical pull-out slide	drawing number: 505T.1050-GA.0000 replaces version date:
(l)			drawn 17-01-2023	ex			
(m)			proven 01-02-2023	pr			
(n)					Fulterer AG & Co KG A-6890 Lustenau / Austria Fulterer AG CH-9430 St. Margrethen		
(o)							
(p)							
(q)							
(r)							
(s)			changes	date	na.		