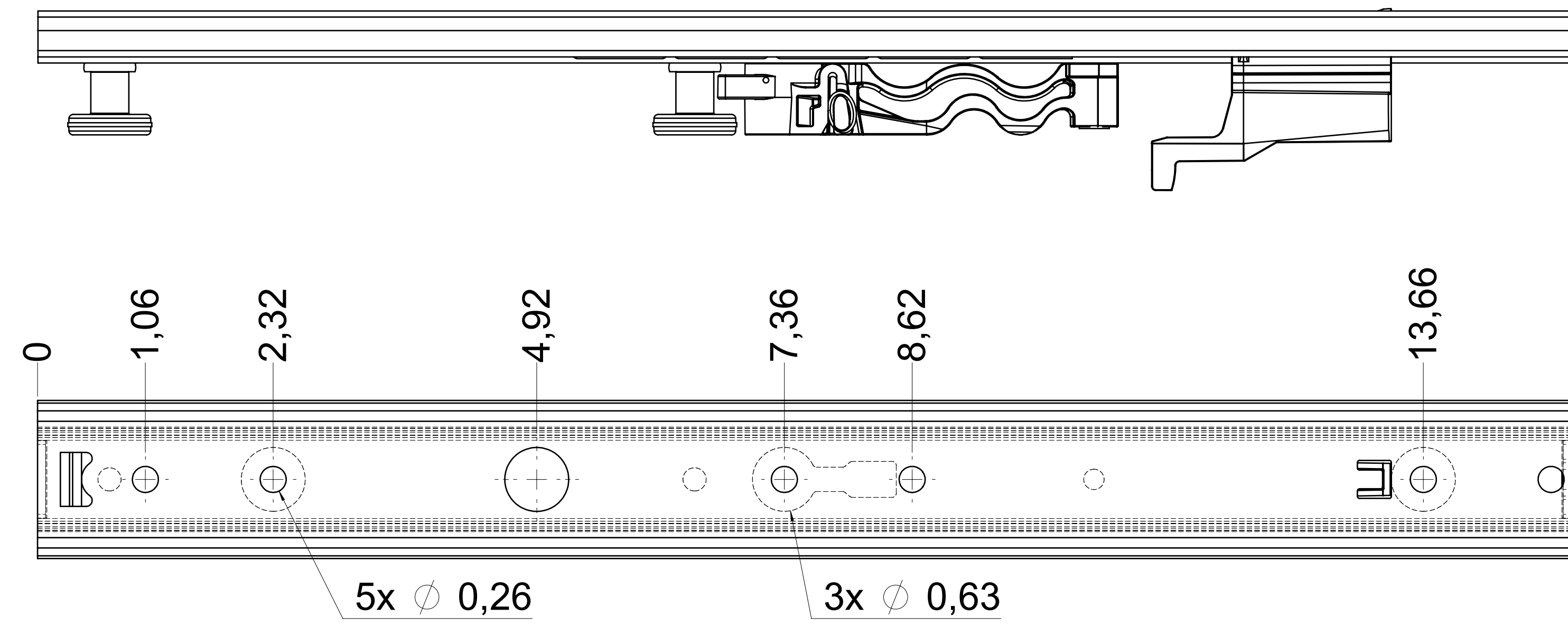


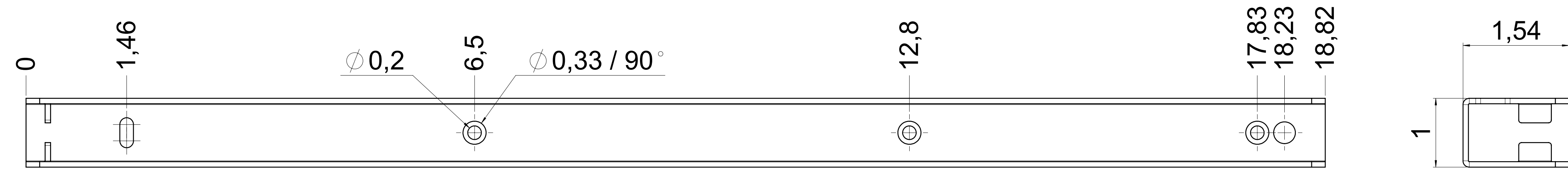
dimensions without coating / maximum coating allowed 0.1mm

X

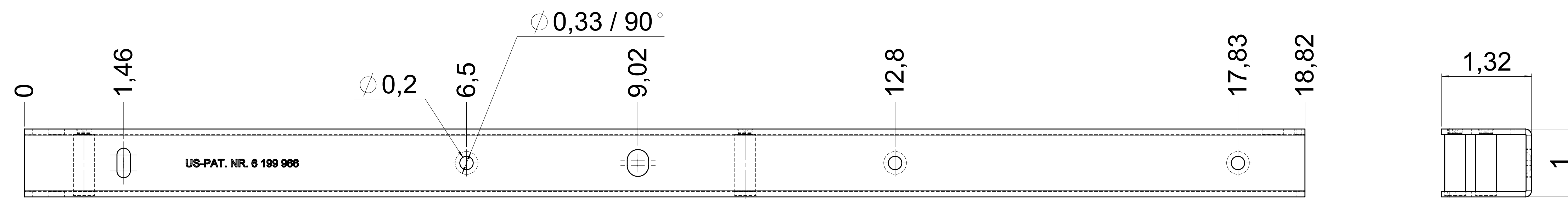
top guide cabinet profile



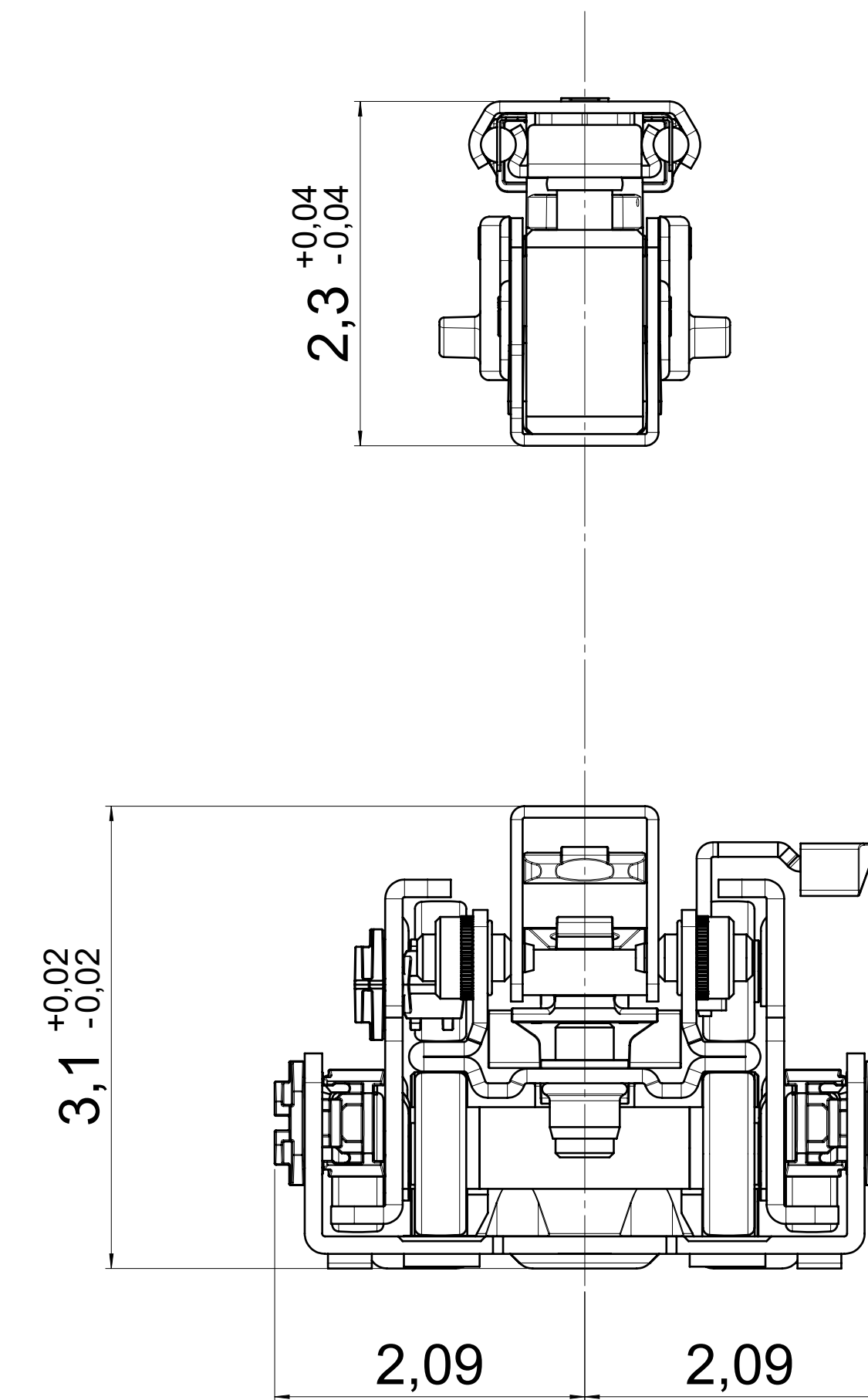
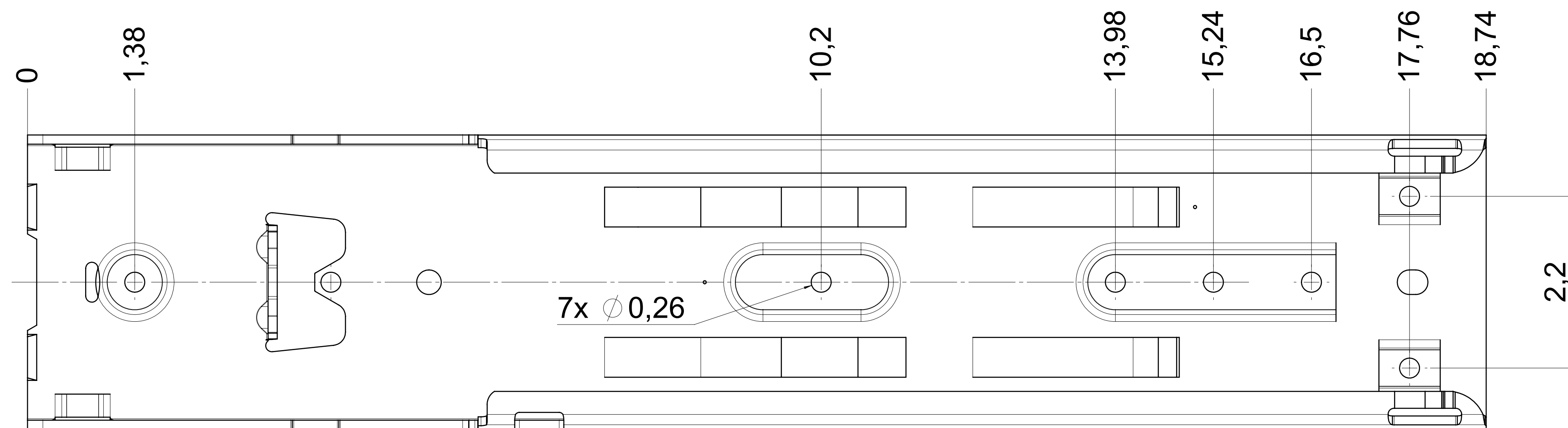
top guide drawer profile



bottom guide drawer profile



bottom guide cabinet profile



final approval

customer name:
 signed by:
 date:

all dimensions in inch

This drawing remains our property and may not be multiplied neither be disclosed to third parties (§§1,3 and 5 from the copyright Act (UrhG)). covered according to DIN ISO 15015

scale:	1:1	surface:	steel	material:	semi finished parts
drawn:	07-12-2022	name:	GB	description:	FR 771A / 48 - EN (inch)
proven:	00-00-0000	no.:	00		progressive-action full-extension drawerslide / bottom mount
			drawing number: 771A.480-GA.0000 replaces version GB:		

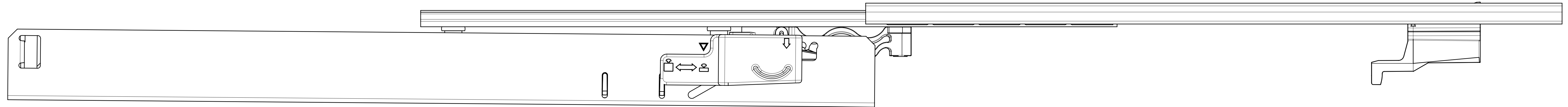
changes date na. includes: beberger

⚠ = check dimension, next free check number

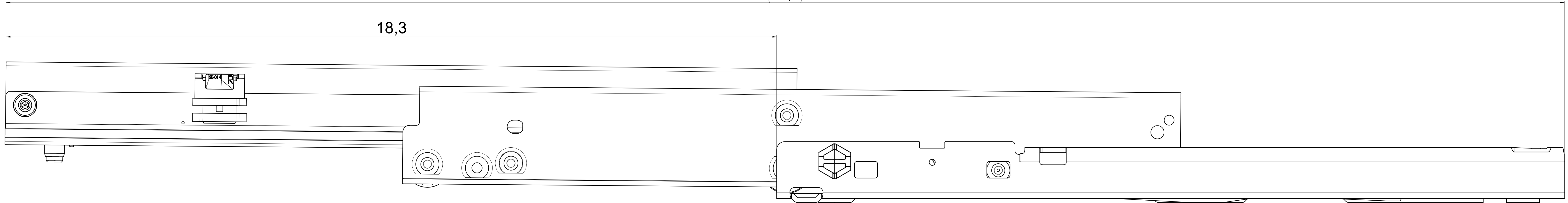
⊕ DIN ISO 128-30 missing dimensions see 3D = theor. intersection

dimensions without coating / maximum coating allowed 0.1mm

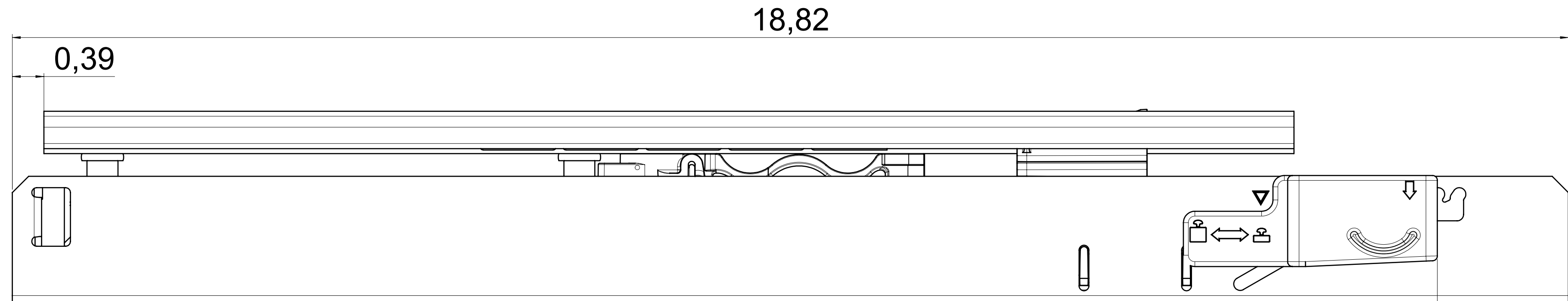
X



37,1



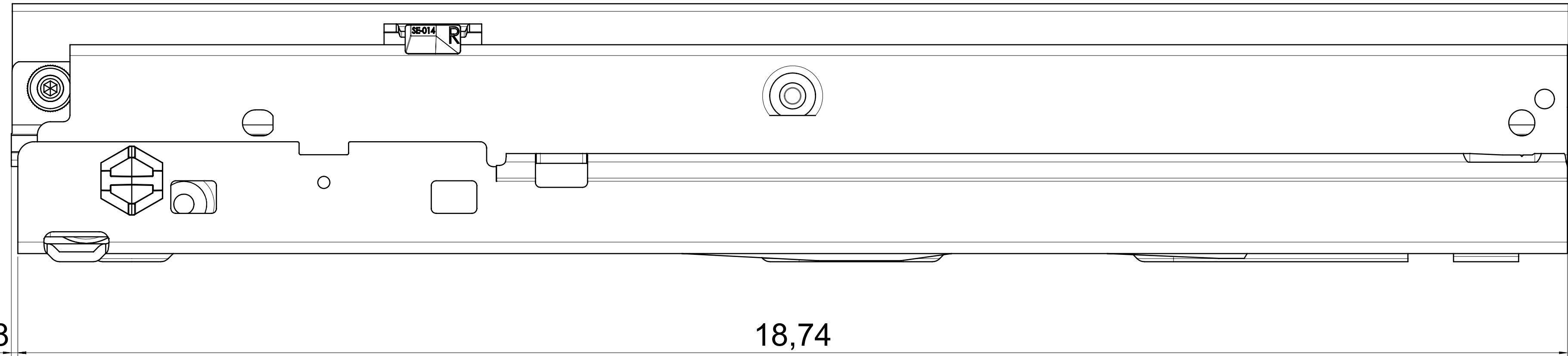
18,3



18,82

0,39

min. 0,82
max. 1,6



0,08

18,74

page 2 of 2

= check dimension , next free check number

final approval

customer name: _____

signed by: _____

date: _____

<p>all dimensions in inch</p> <p><small>This drawing remains our property and may not be disclosed to third parties (§§1,3 and 5 from the copyright Act (UrhG)). covered according to DIN ISO 16016</small></p>		<p><small>DIN ISO 128-30</small></p> <p><small>missing dimensions see 3D</small></p> <p><small>= theor. intersection</small></p>
<p><small>scale:</small></p> <p>1:1</p>	<p><small>surface:</small></p> <p>steel</p> <p><small>(technical requirements Filterer)</small></p>	<p><small>material: semi finished parts:</small></p> <p>AO</p>
<p><small>drawn:</small> 07-12-2022</p> <p><small>proven:</small> 00-00-0000</p>	<p><small>date:</small></p> <p><small>name:</small></p> <p><small>GB</small></p> <p><small>description:</small></p> <p>Filterer</p> <p>FR 771A / 48 - EN (inch)</p> <p>progressive-action full-extension</p> <p>drawerslide / bottom mount</p>	<p><small>drawing number:</small></p> <p>771A.480-GA.0000</p> <p><small>replaces version 636c:</small></p>
<p><small>Filterer AG & Co KG</small></p> <p><small>A-6800 Lustenau / Austria</small></p> <p><small>CH-8430 St. Margrethen</small></p>	<p><small>responsible for design:</small></p> <p><small>responsible for production:</small></p>	<p><small>responsible for drawing:</small></p> <p><small>responsible for assembly:</small></p>
<p><small>changes</small></p> <p><small>date</small></p> <p><small>na.</small></p>	<p><small>date</small></p> <p><small>na.</small></p>	<p><small>date</small></p> <p><small>na.</small></p>