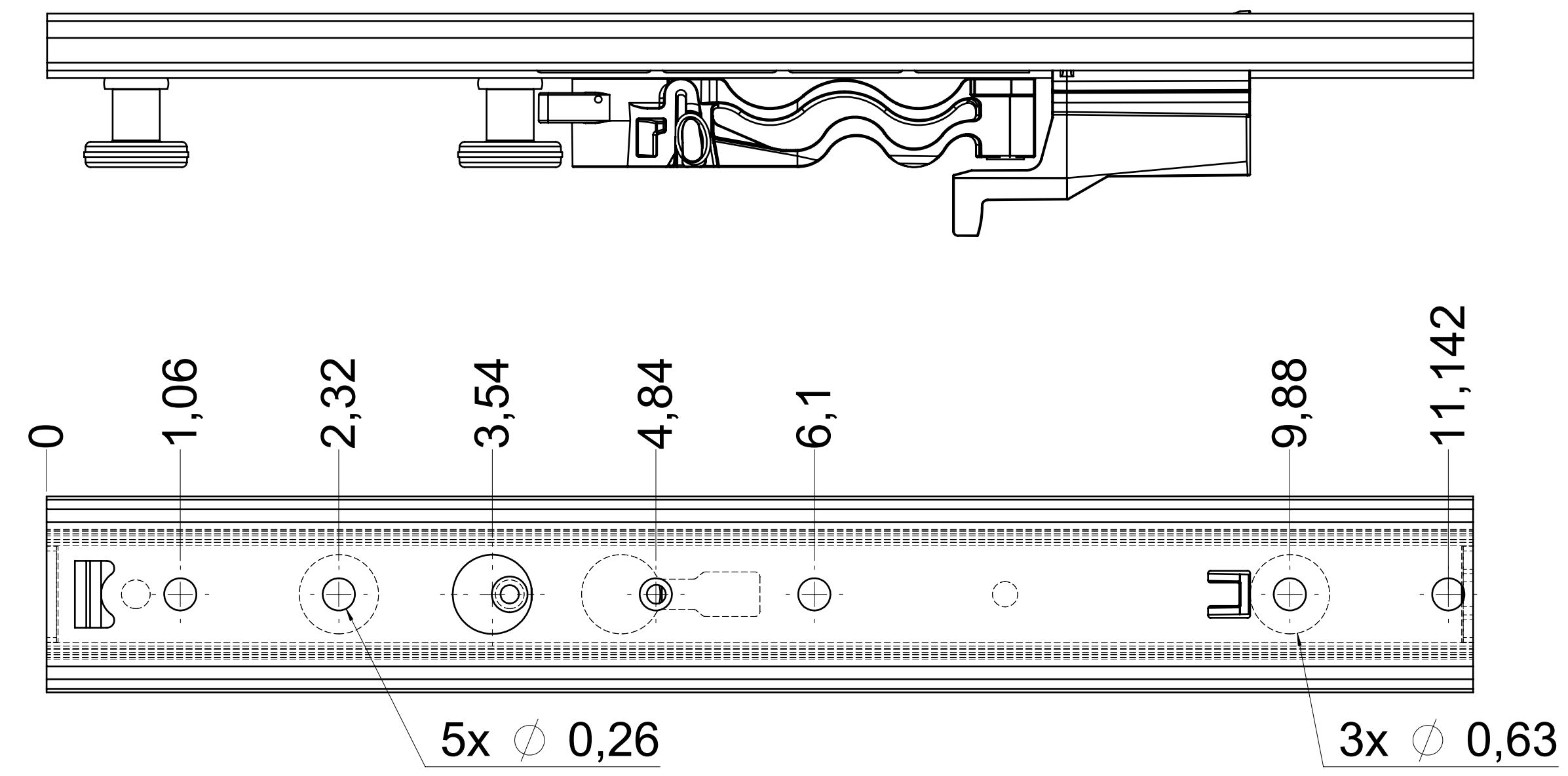
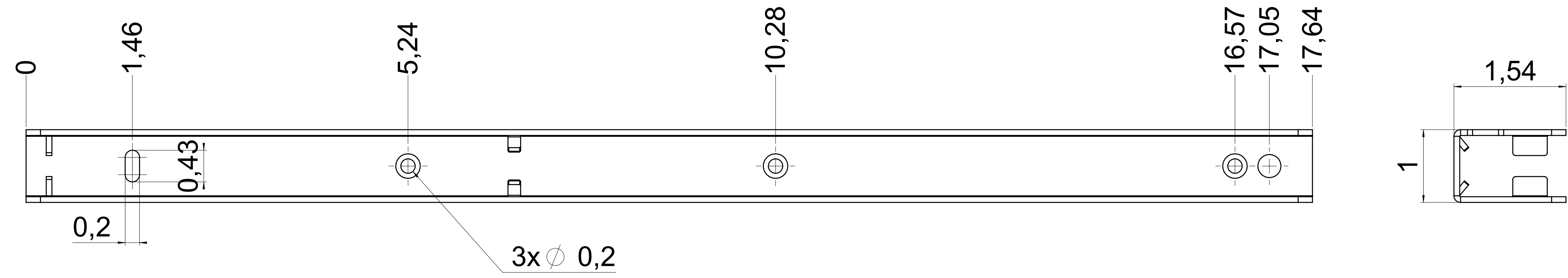


dimensions without coating / maximum coating allowed 0.1mm

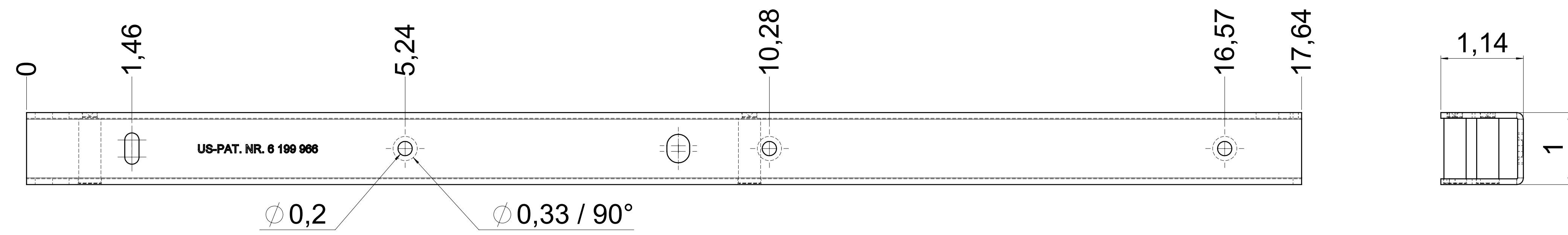
top guide cabinet profile



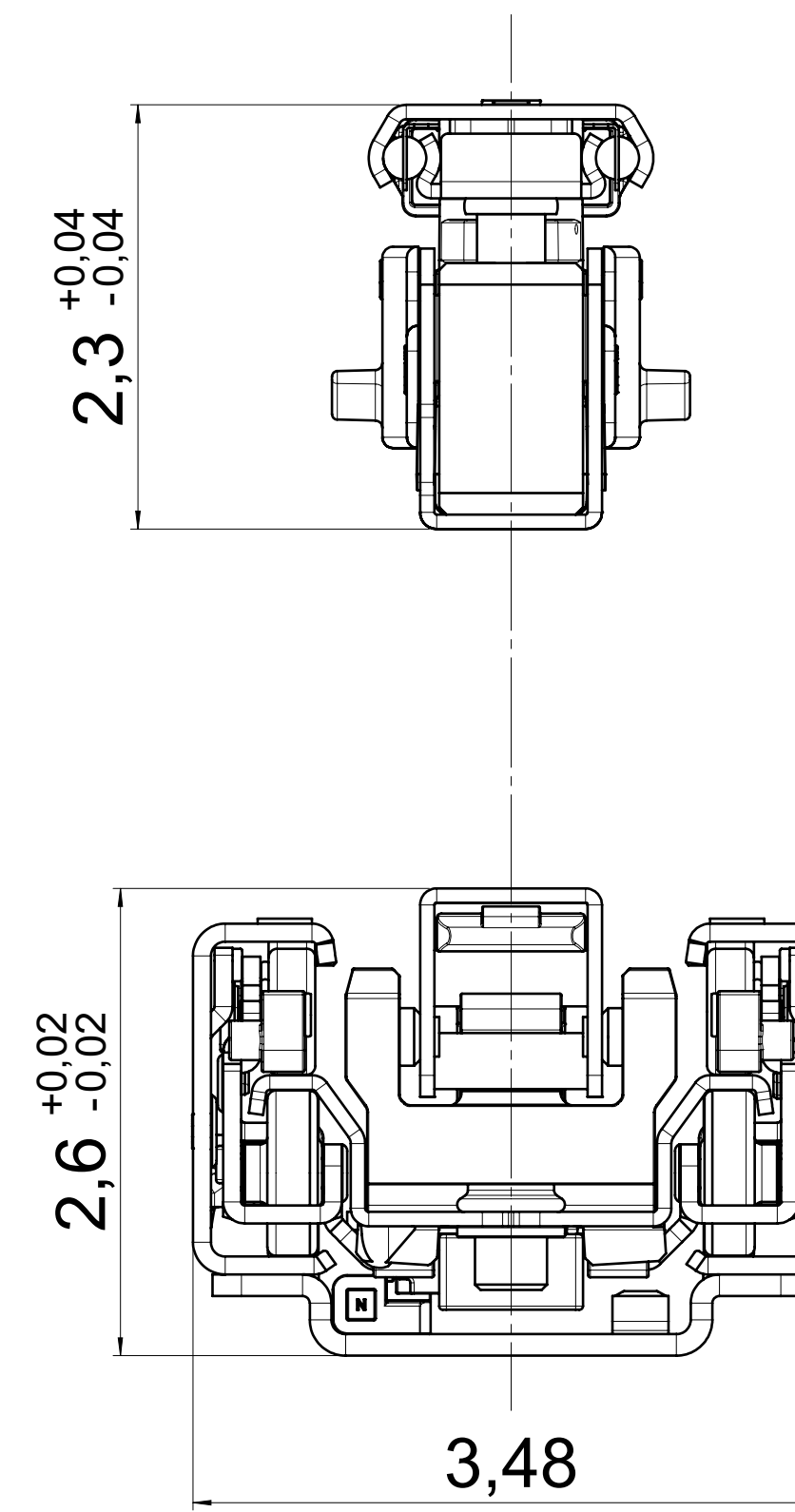
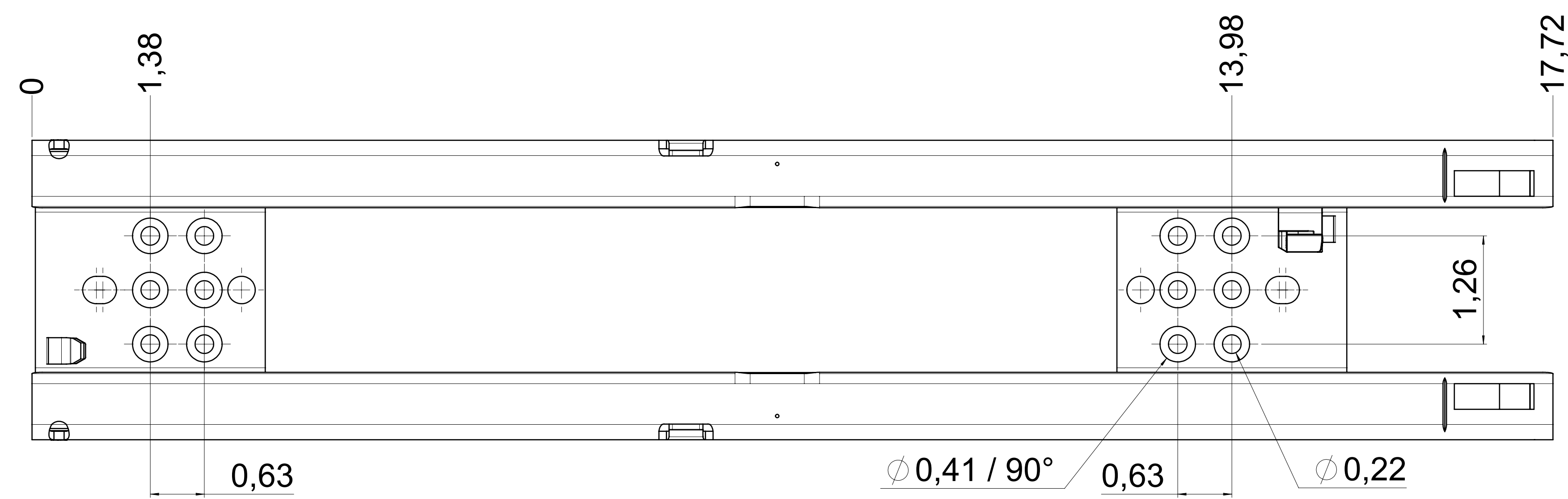
top guide drawer profile



bottom guide drawer profile



bottom guide cabinet profile



⚠ = check dimension, next free check number

final approval

customer name:

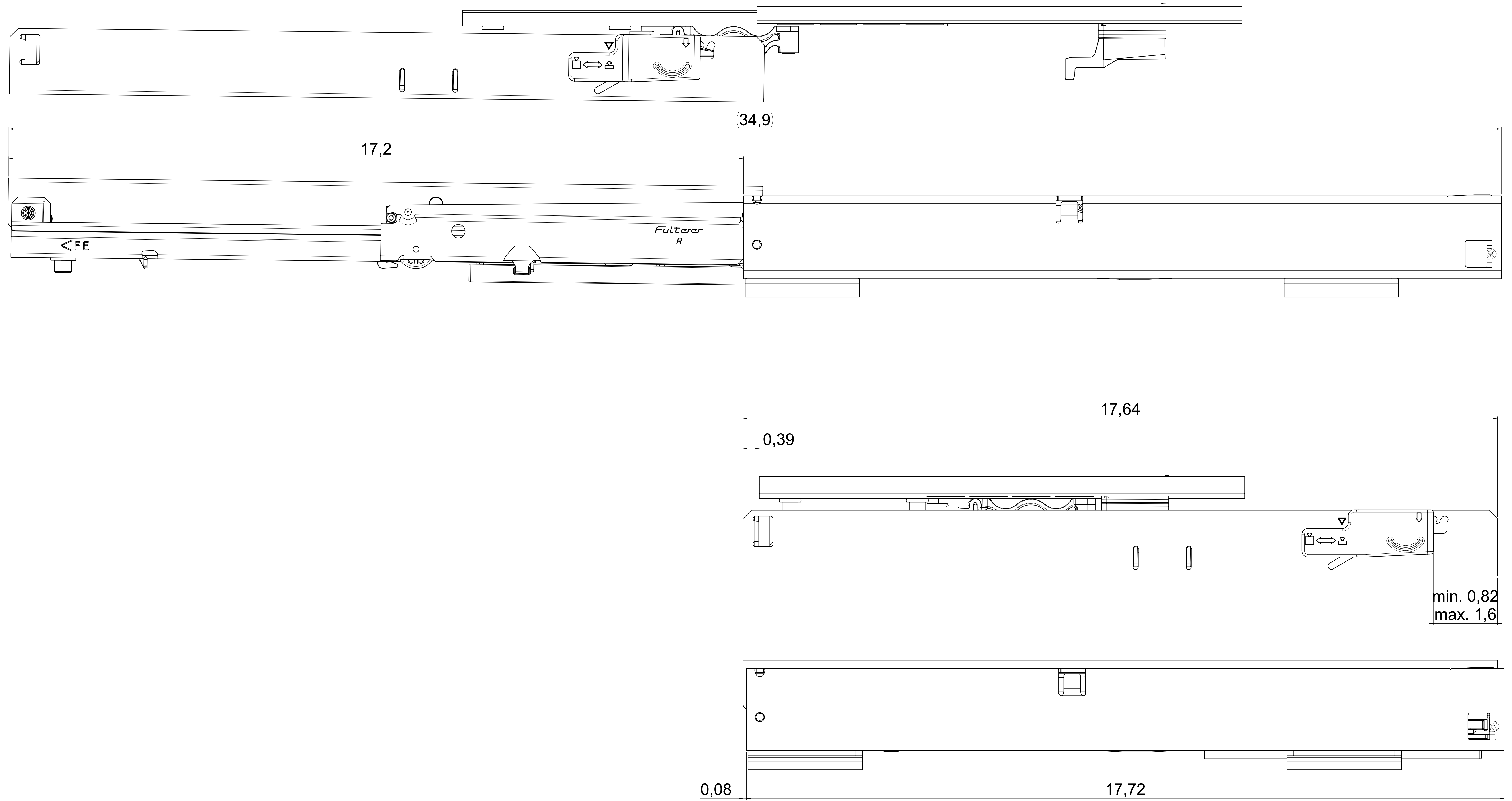
signed by:

date:

| all dimensions in inch | | | | DIN ISO 128-30 missing dimensions see 3D = theor. intersection | |
|--|------------|--------------|--------------------------|--|----|
| This drawing remains our property and may not be disclosed to third parties (§§1,3 and 5 from the copyright Act (UrhG)). | | | | covered according to DIN ISO 16016 | AO |
| scale: | 1:1 | surface: | steel | material: semi finished parts | |
| drawn: | 07-12-2022 | name: | GB | (technical requirements Filterer) | |
| proven: | 00-00-0000 | description: | FR 775A / 45 - EN (inch) | progressive-action full-extension drawerslide / bottom mount | |
| Filterer AG & Co KG A-6800 Lustenau / Austria | | | drawing number: | 775A.450-GA.0000 | |
| C4-8430 St. Margrethen | | | replaces version: | G816 | |
| changes: | date: | na: | na: | na: | |

dimensions without coating / maximum coating allowed 0.1mm

X



final approval

customer name:

signed by:

date:

| | | | |
|--|---------------------|--|--------------------------|
| all dimensions in inch | | DIN ISO 128-30 missing dimensions see 3D = theor. intersection | |
| This drawing remains our property and may not be multiplied neither be disclosed to third parties (§§1,3 and 5 from the copyright Act (UrhG)) covered according to DIN ISO 16016 | | | |
| scale: | 1:1 | surface: | steel |
| material: | semi finished parts | AO | |
| drawn: | 07-12-2022 | name: | GB |
| proven: | 00-00-0000 | description: | FR 775A / 45 - EN (inch) |
| | | progressive-action full-extension drawerslide / bottom mount | |
| | | Fulterer | |
| Fulterer AG & Co KG A-6800 Lustenau / Austria | | drawing number: | |
| C14-8430 St. Margrethen | | 775A.450-GA.0000 | |
| | | replaces version GB16: | |
| changes | date | na. | |