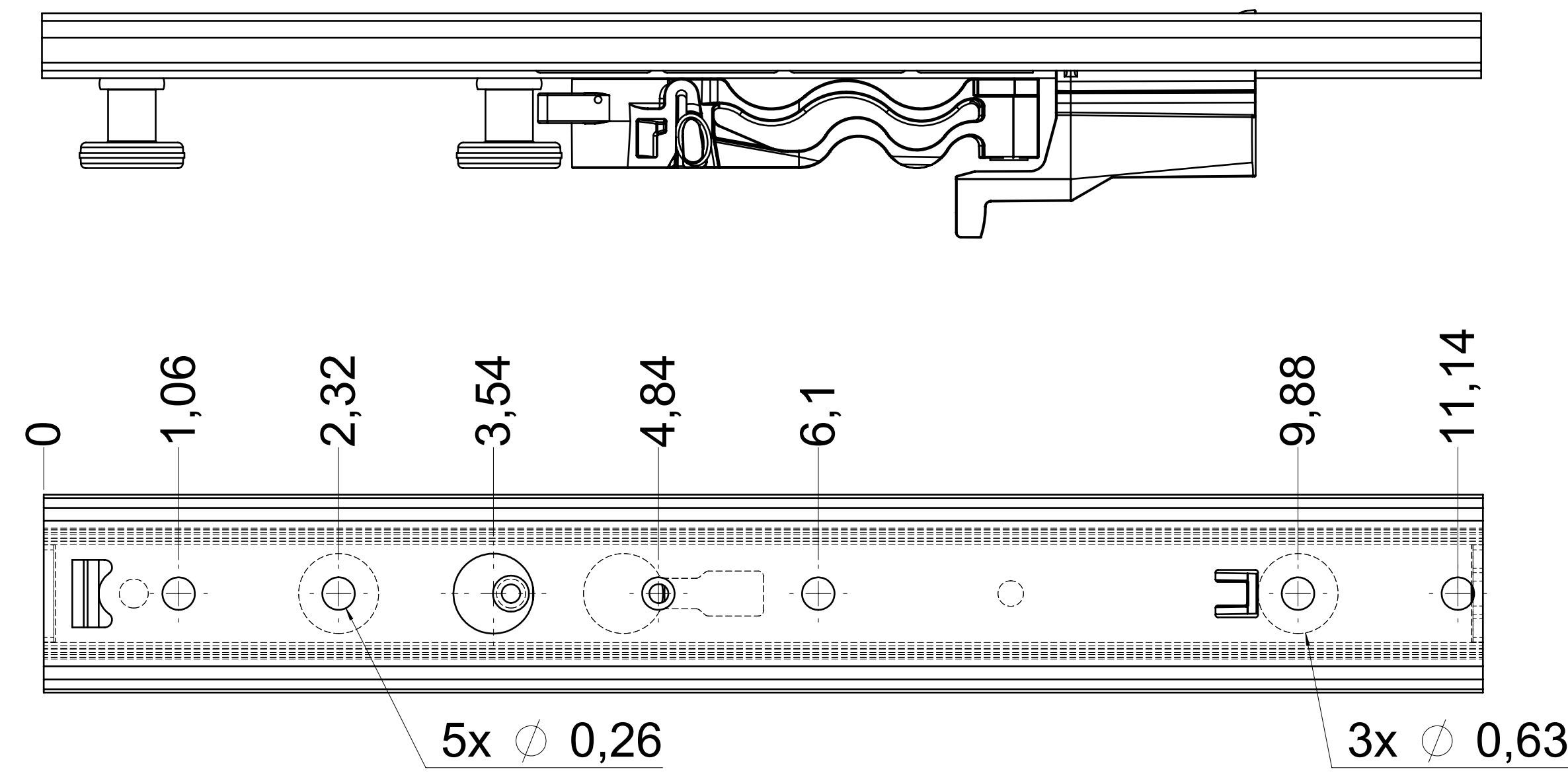
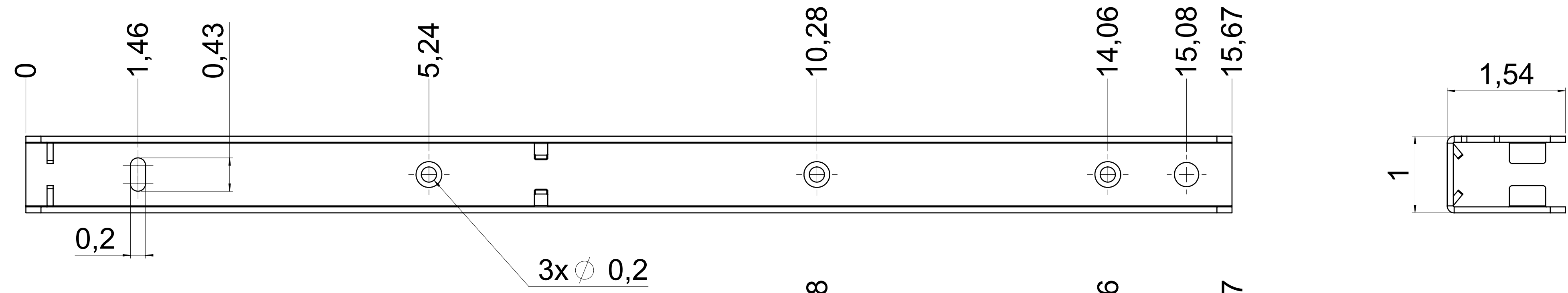


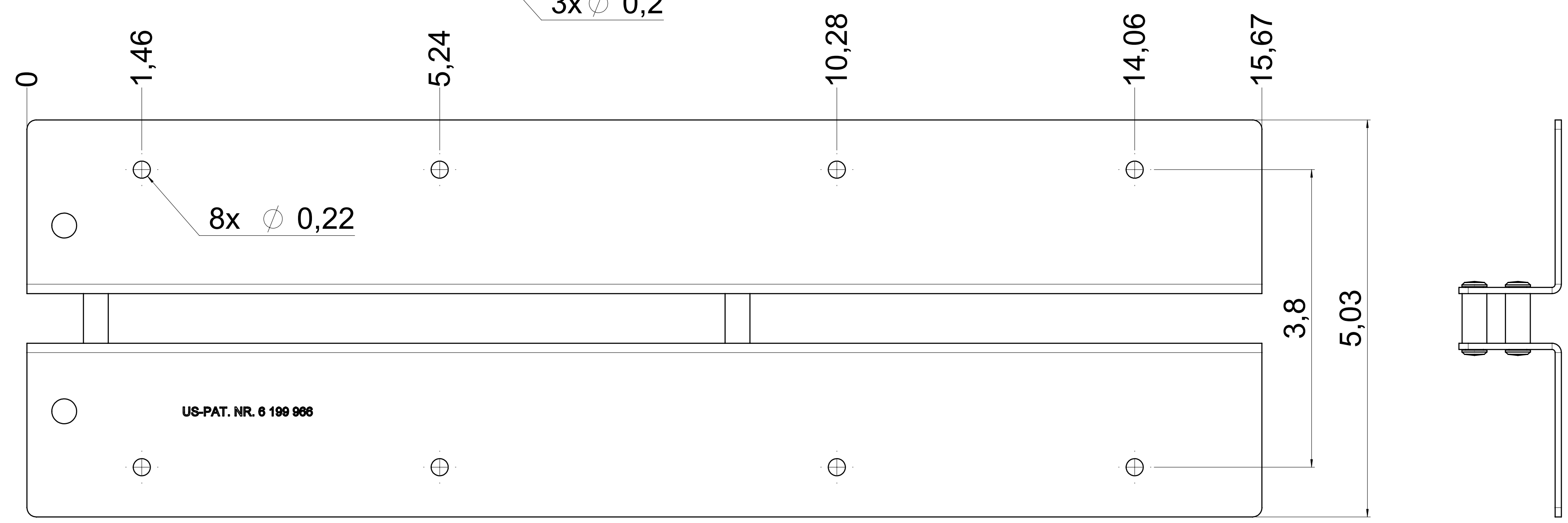
top guide cabinet profile



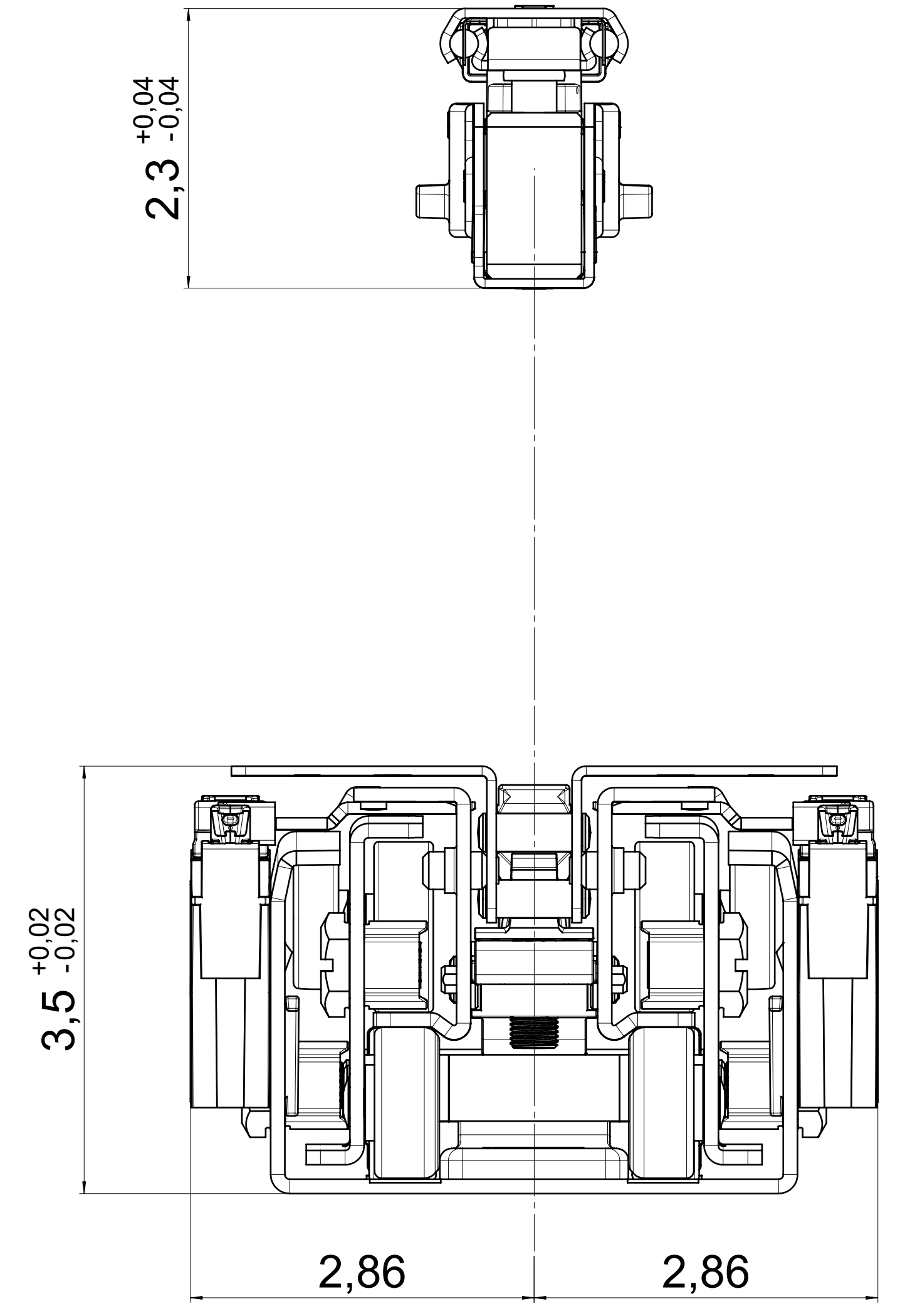
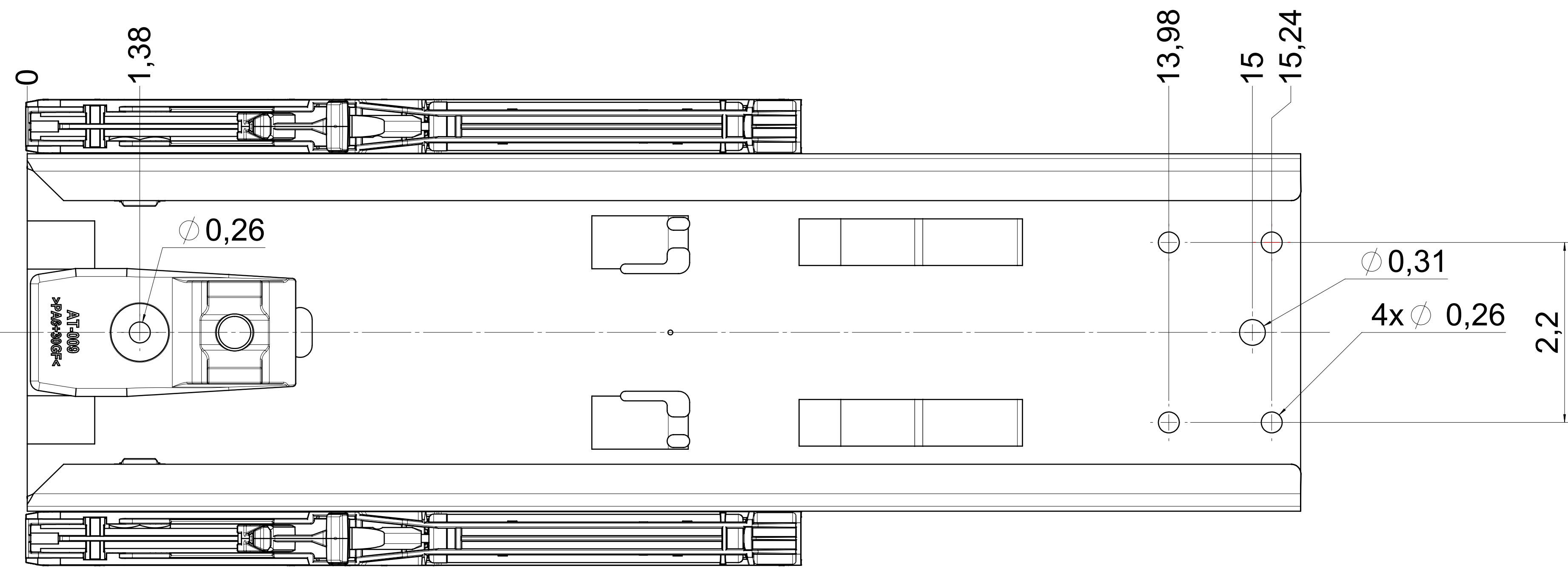
top guide drawer profile



bottom guide drawer profile



bottom guide cabinet profile



final approval

customer name: _____

signed by: _____

date: _____

page 1 of 2

= check dimension, = next free check number

all dimensions in inch

DIN ISO 128-30
missing dimensions see 3D
= theor. intersection

This drawing remains our property and may not be multiplied neither be disclosed to third parties (§§1,3 and 5 from the copyright Act (UrhG)) covered according to DIN ISO 15015

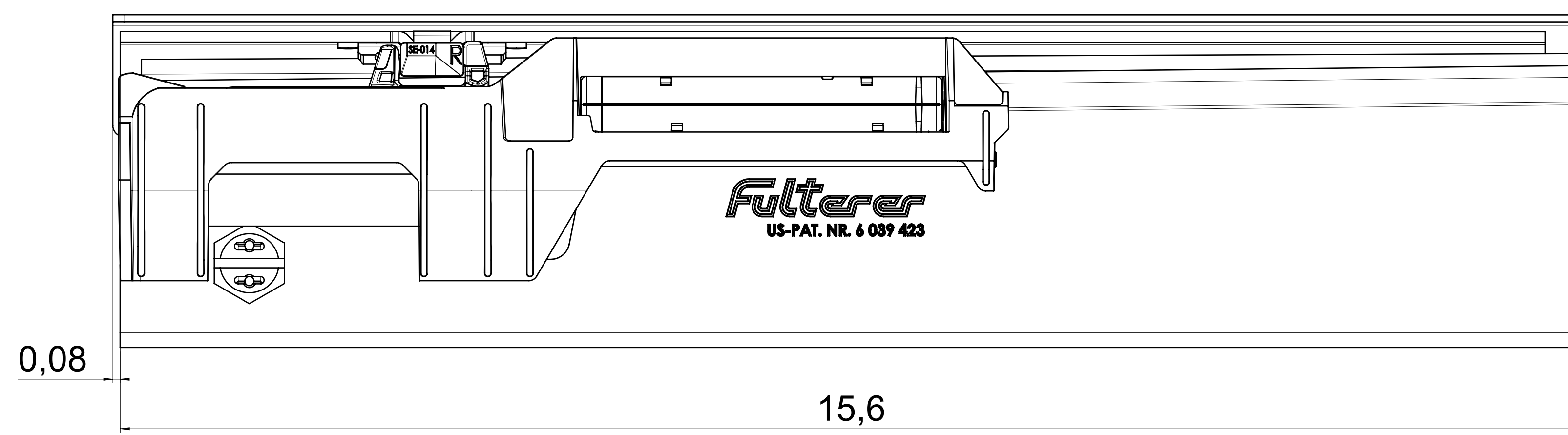
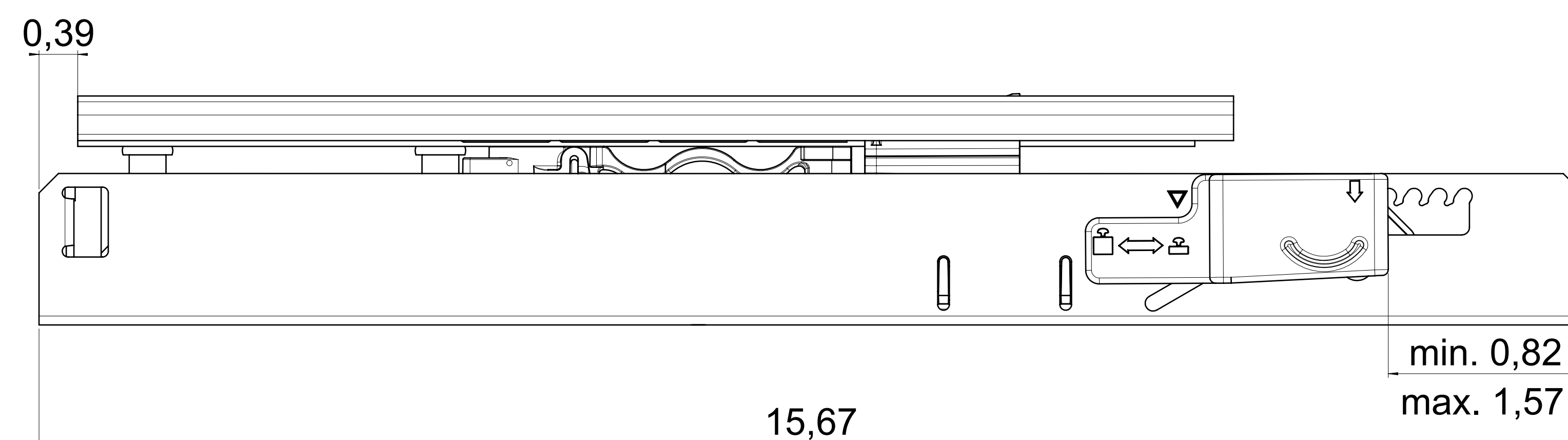
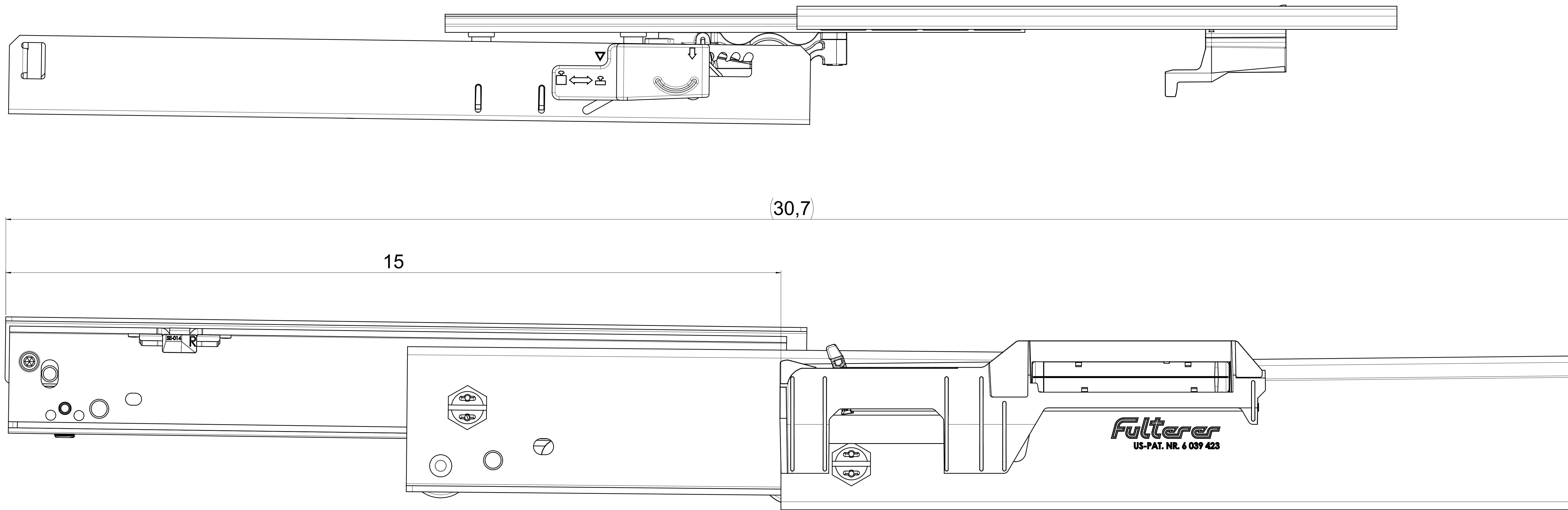
scale:	1:1	surface:	steel	material:	semi finished parts
date:		name:		(technical requirements Fulterer)	AO
drawn:	21-11-2021	name:			
proven:	00-00-0000	name:			
description:			FR 777A / 40 EN (inch)		
description:			progressive-action full-extension		
description:			drawerside / bottom mount		
drawing number:			777A.400-GA.0000		
replaces version:			replaces version 0310:		

Fulterer AG & Co KG
A-6800 Lustenau / Austria
C14-8430 St. Margrethen

Monday, 01. Januar 2023 12:10:02

dimensions without coating / maximum coating allowed 0.1mm

X



final approval

customer name: _____

signed by: _____

date: _____

page 2 of 2

⚠ = check dimension , next free check number

<p>all dimensions in inch</p> <p>This drawing remains our property and may not be disclosed to third parties (§§1,3 and 5 from the copyright Act (UrhG)) covered according to DIN ISO 15016</p>		<p>DIN ISO 128-30 missing dimensions see 3D = theor. intersection</p>	
scale:	1:1	surface:	steel (technical requirements Filterer)
material:	semi finished parts	description:	FR 777A / 40 - EN (inch) progressive-action full-extension drawerslide / bottom mount
drawn:	21-11-2021	name:	GB
proven:	00-00-0000	date:	00
<p>Filterer</p> <p>Filterer AG & Co KG A-6800 Lustenau / Austria CH-8430 St. Margrethen</p>		<p>drawing number: 777A.400-GA.0000 replaces version 03/10</p>	
changes	date	na.	