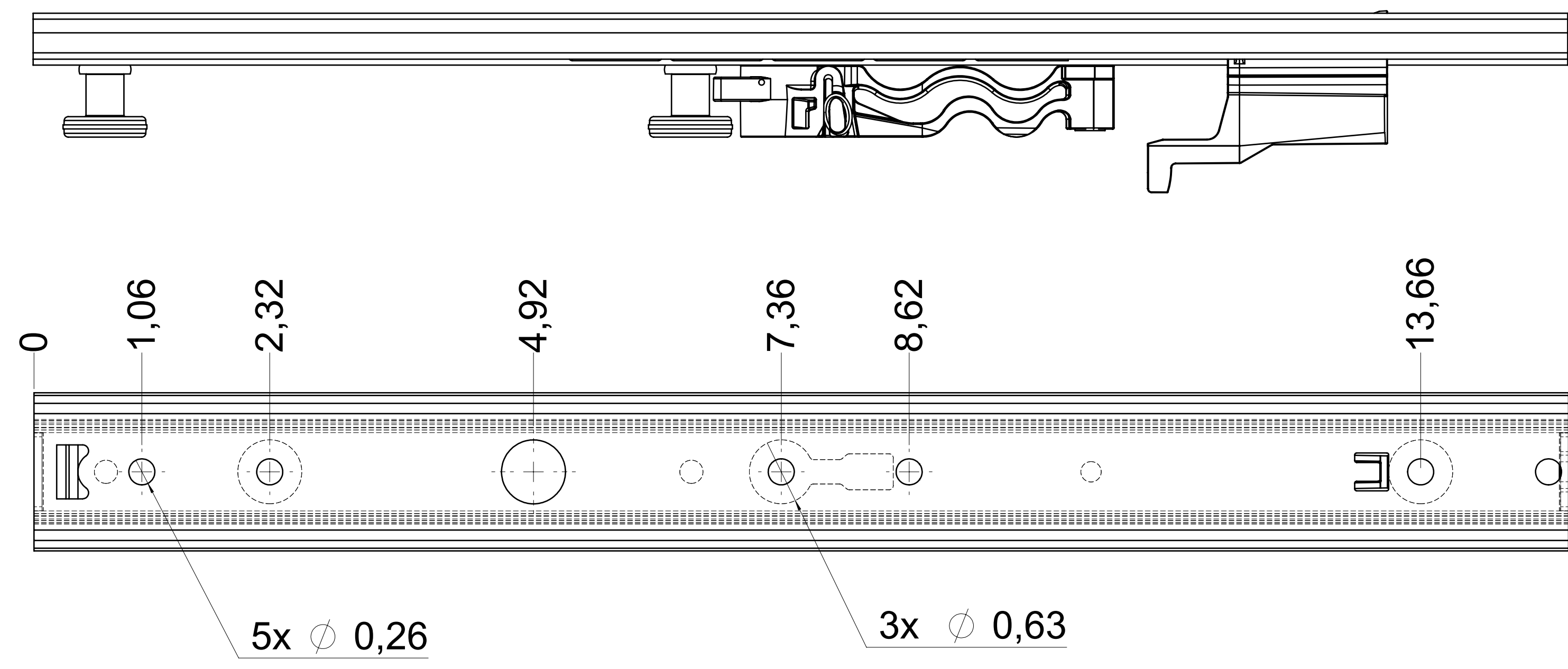
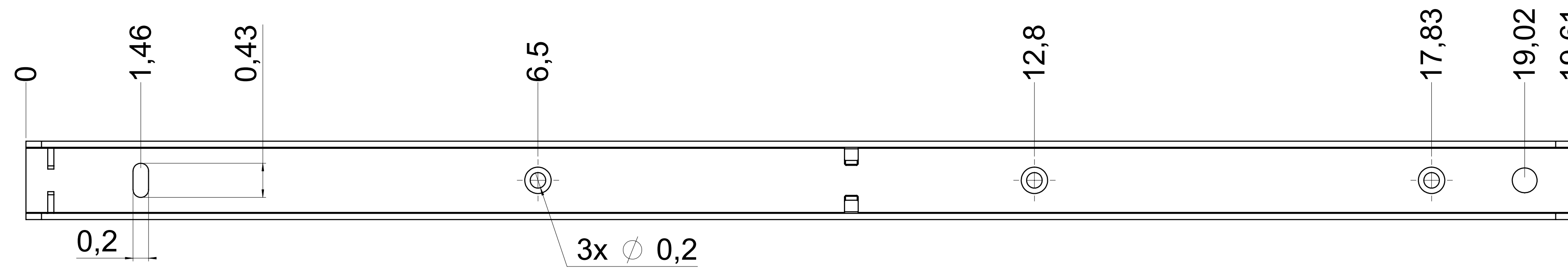


dimensions without coating / maximum coating allowed 0.1mm

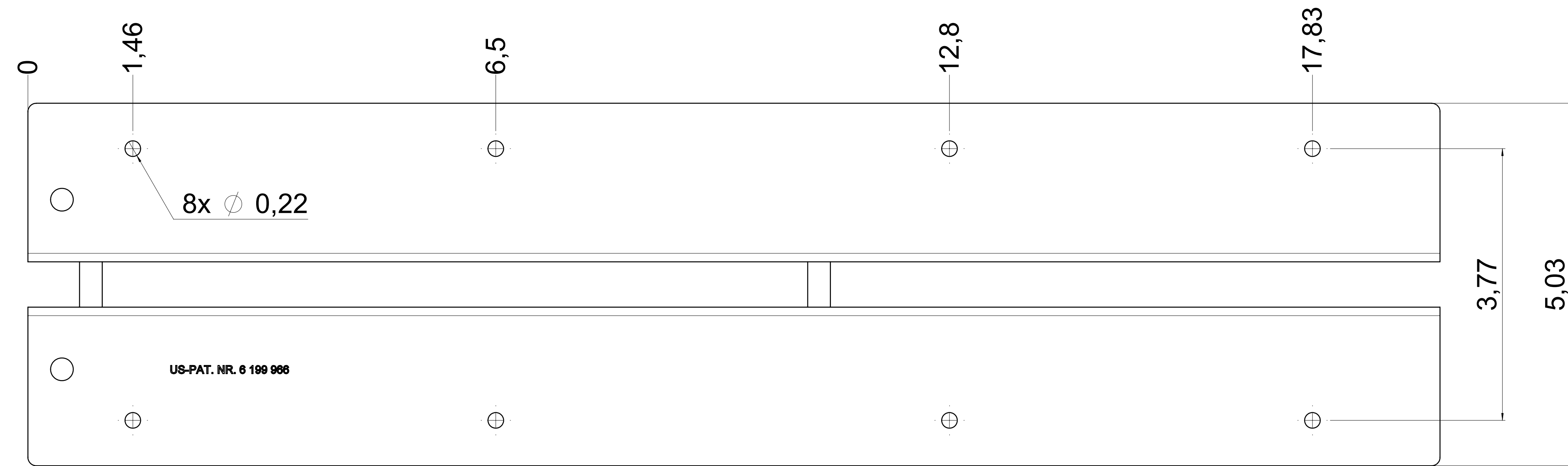
top guide cabinet profile



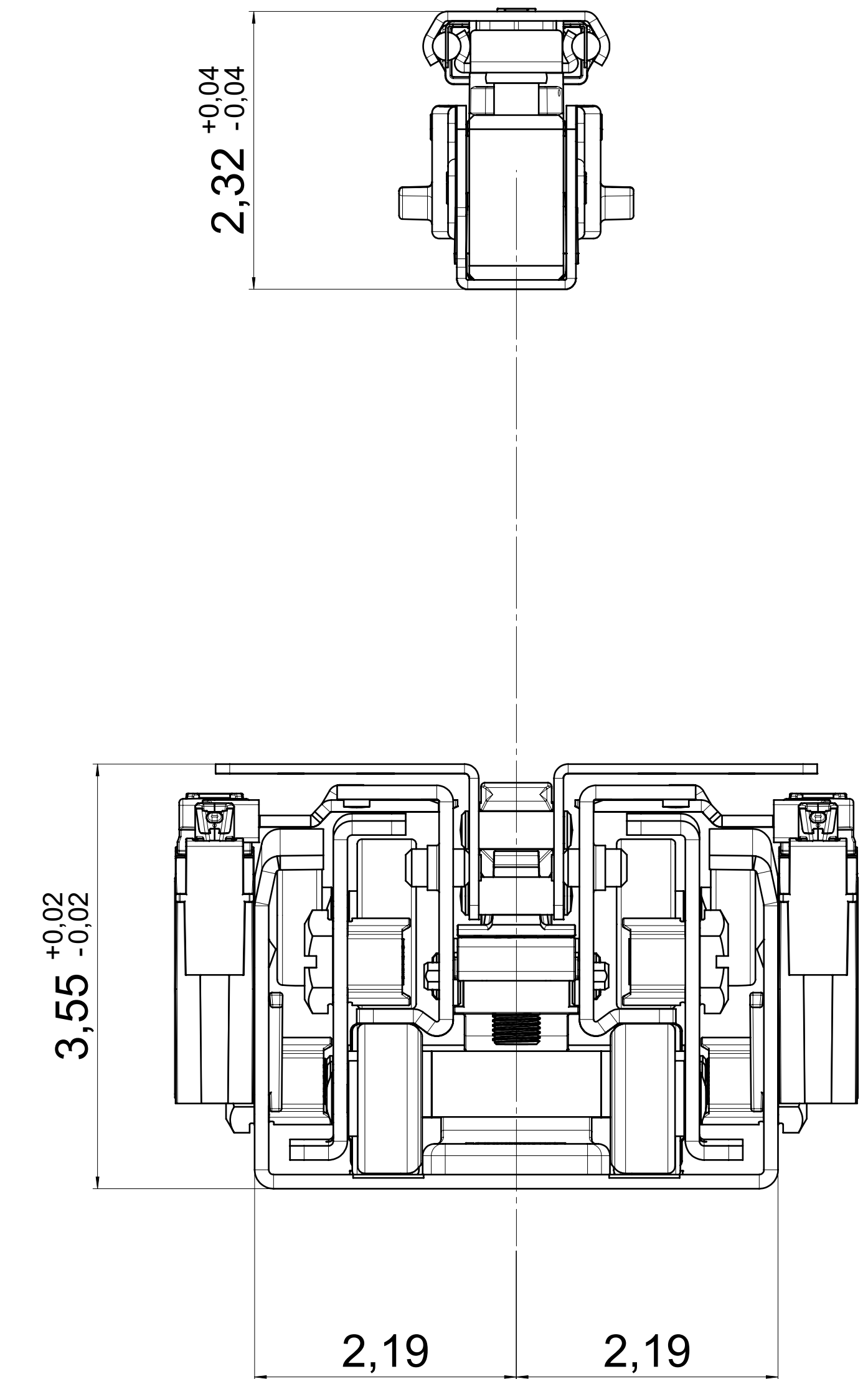
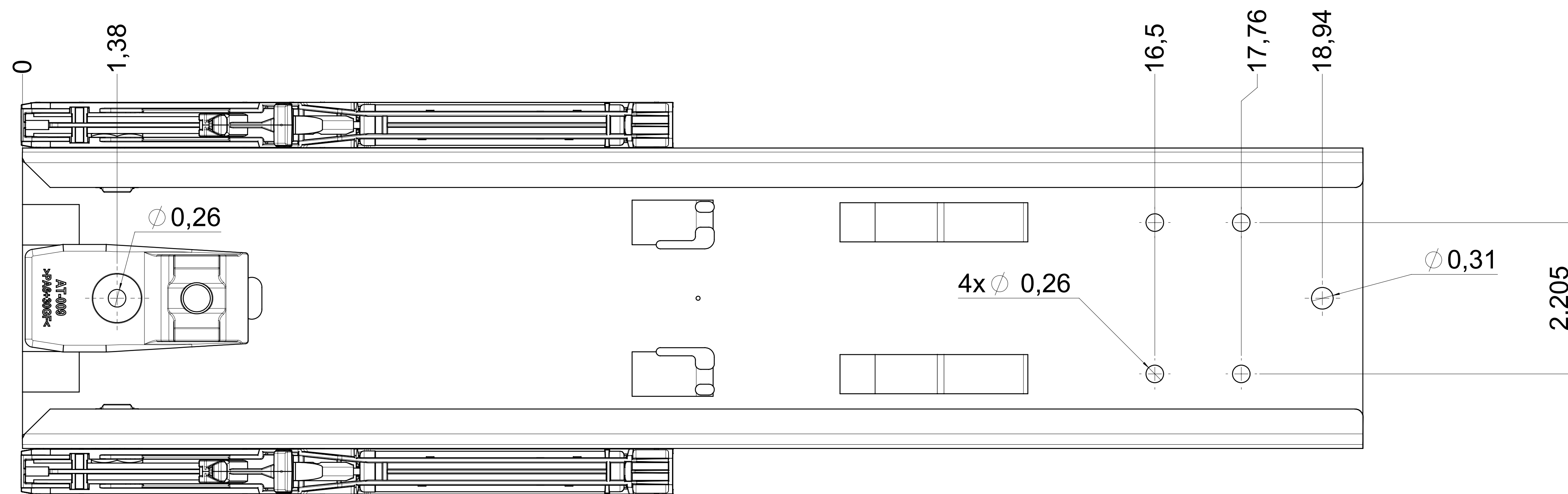
top guide drawer profile



bottom guide drawer profile



bottom guide cabinet profile



final approval

customer name:

signed by:

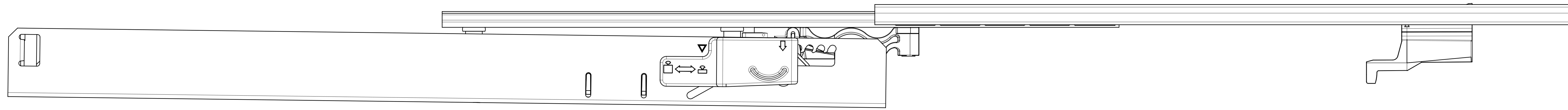
date:

page 1 of 2

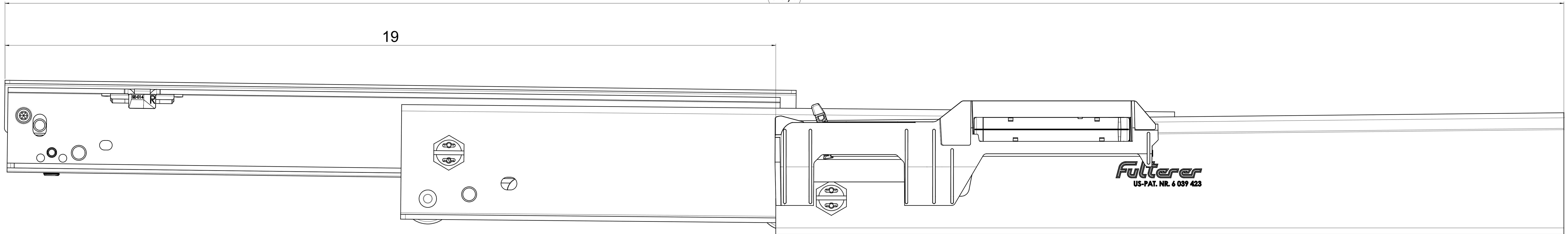
<p><b>all dimensions in inch</b></p> <p>This drawing remains our property and may not be multiplied neither be disclosed to third parties (§§1,3 and 5 from the copyright Act (UrhG)). covered according to DIN ISO 15015</p>		<p>DIN ISO 128-30 missing dimensions see 3D = theor. intersection</p>	
scale:	1:1	surface:	steel (technical requirements Filterer)
material:	semi finished parts	description:	FR 777A / 50 - EN (inch) progressive-action full-extension drawerslide / bottom mount
drawn:	21-11-2021	name:	GB
proven:	00-00-0000	date:	00
<p><b>Filterer</b></p> <p>Filterer AG &amp; Co KG A-6800 Lustenau / Austria CH-8430 St. Margrethen</p>		<p>drawing number: <b>777A.500-GA.0000</b> replaces version 0416:</p>	
changes:	date:	na:	na:

dimensions without coating / maximum coating allowed 0,1mm

X



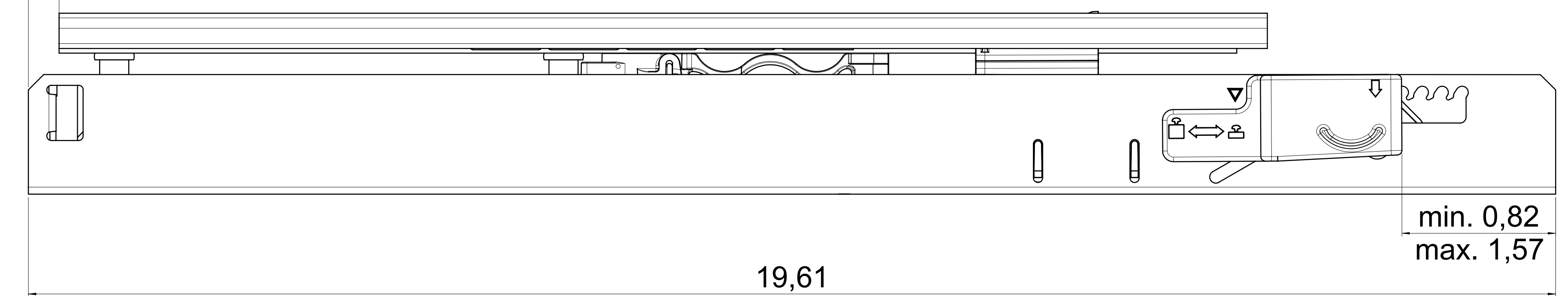
38,6



19

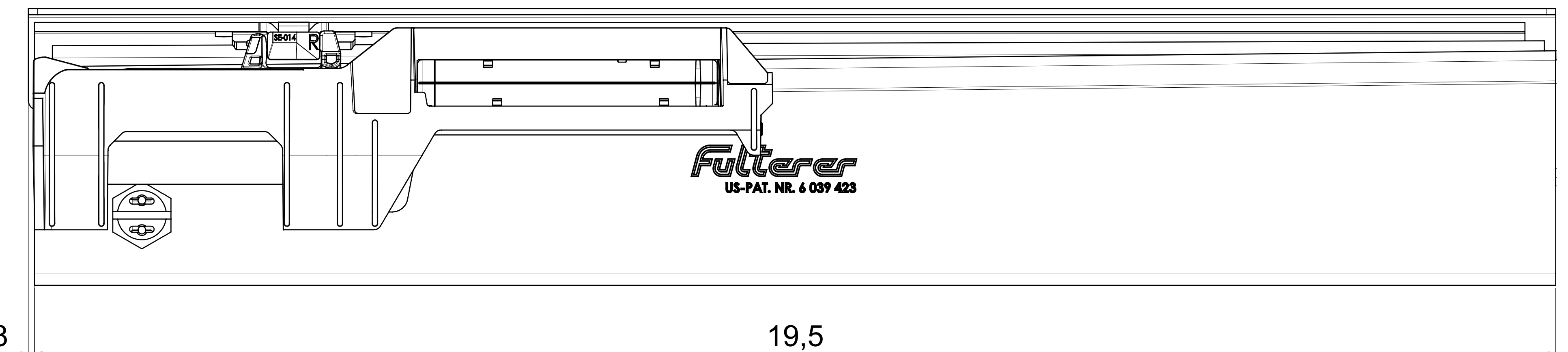
**Fulterer**  
US-PAT. NR. 6 039 423

0,39



19,61

min. 0,82  
max. 1,57



0,08

19,5

**Fulterer**  
US-PAT. NR. 6 039 423

**final approval**

customer name: \_\_\_\_\_

signed by: \_\_\_\_\_

date: \_\_\_\_\_

all dimensions in inch				DIN ISO 128-30 missing dimensions see 3D = theor. intersection	
This drawing remains our property and may not be disclosed to third parties (§§1,3 and 5 from the copyright Act (UrhG)) covered according to DIN ISO 16016				scale:	surface:
				1:1	steel
				(technical requirements Fulterer)	
1	date	name	description:	FR 777A / 50 - EN (inch)	
2	21-11-2021	GB	progressive-action full-extension	drawerslide / bottom mount	
3	00-00-0000	00			
				<b>Fulterer</b>	
				Fulterer AG & Co KG	
				A-6800 Lustenau / Austria	
				Fulterer AG	
				CH-8430 St. Margrethen	
				drawing number:	
				777A.500-GA.0000	
				replaces version 0416:	
1	changes	date	na.	includa beberger	