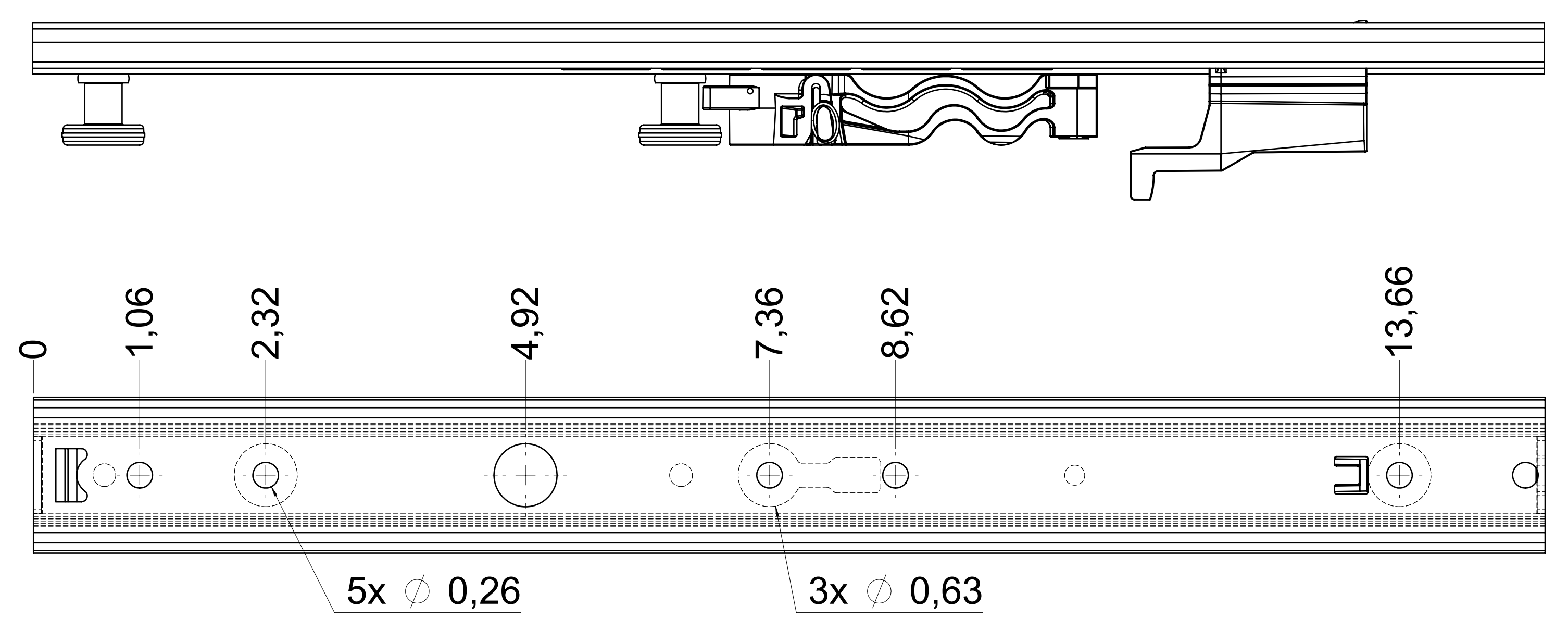
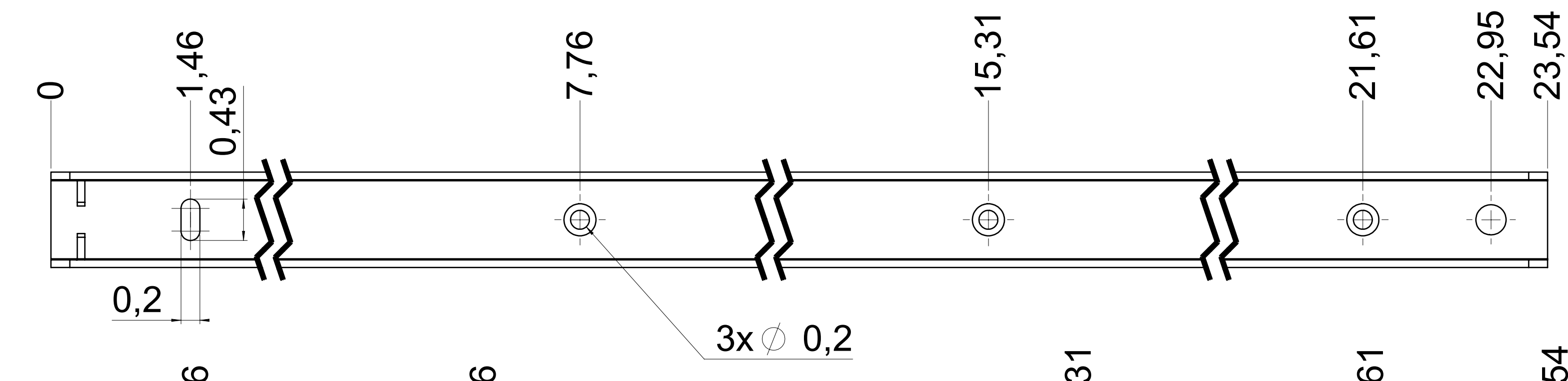


dimensions without coating / maximum coating allowed 0.1mm

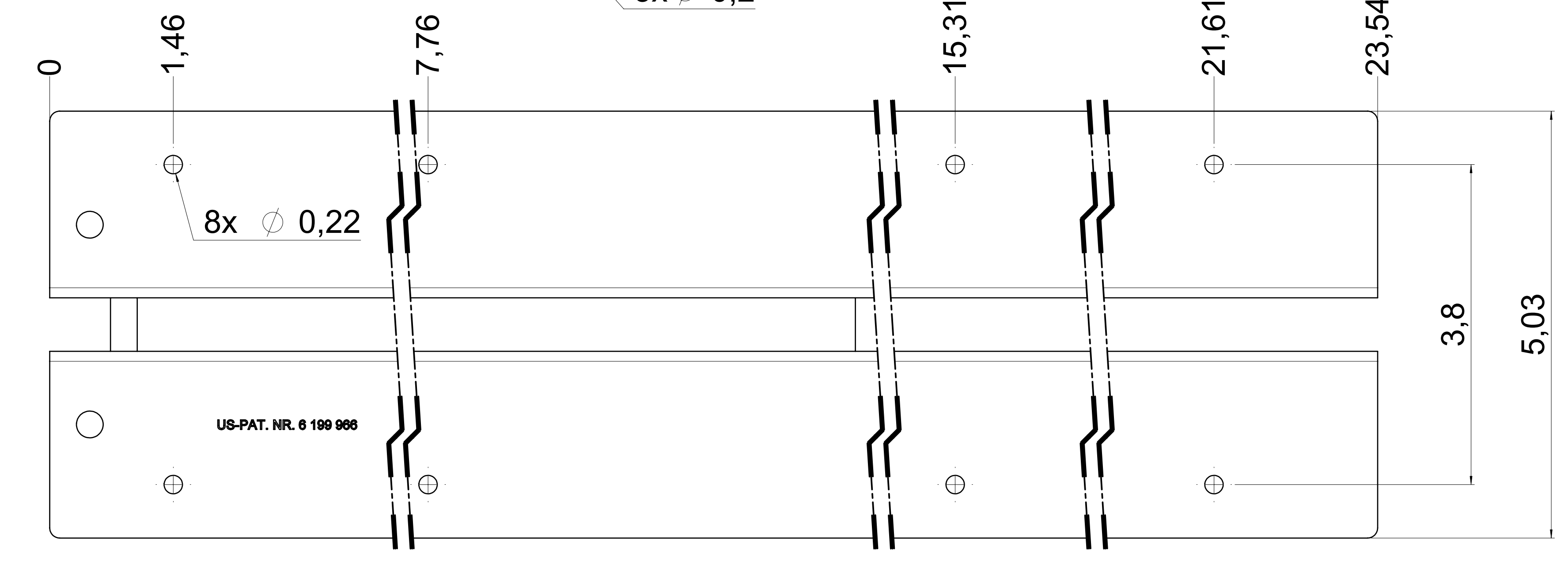
top guide cabinet profile



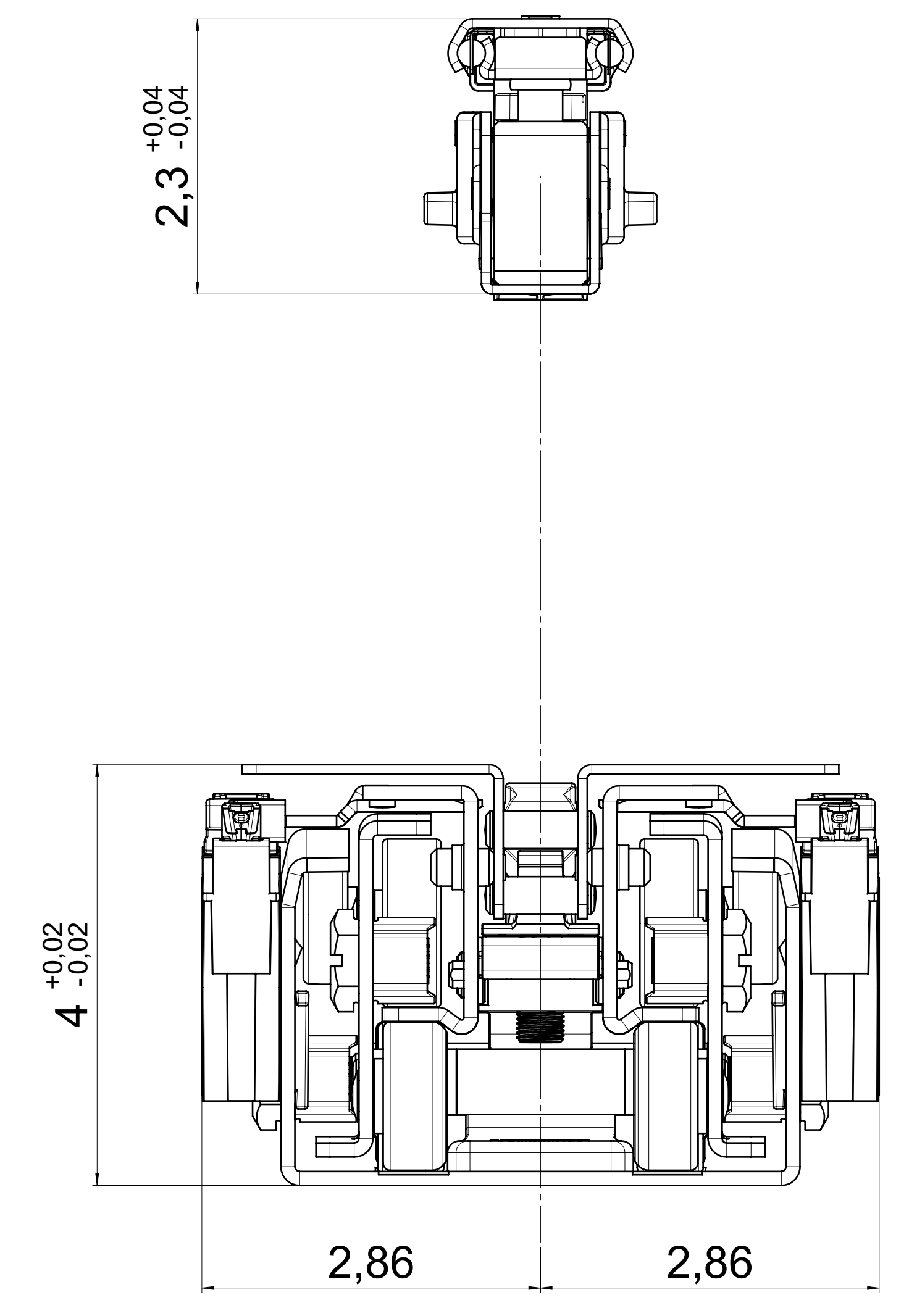
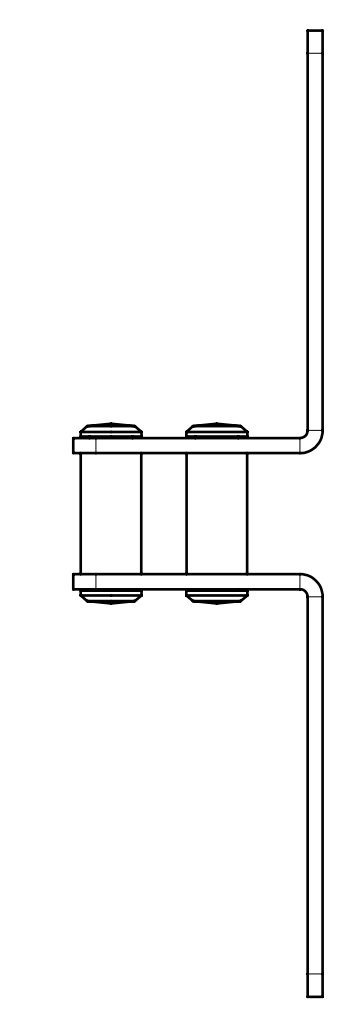
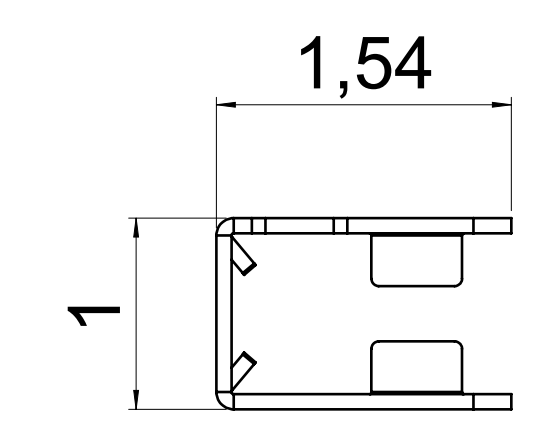
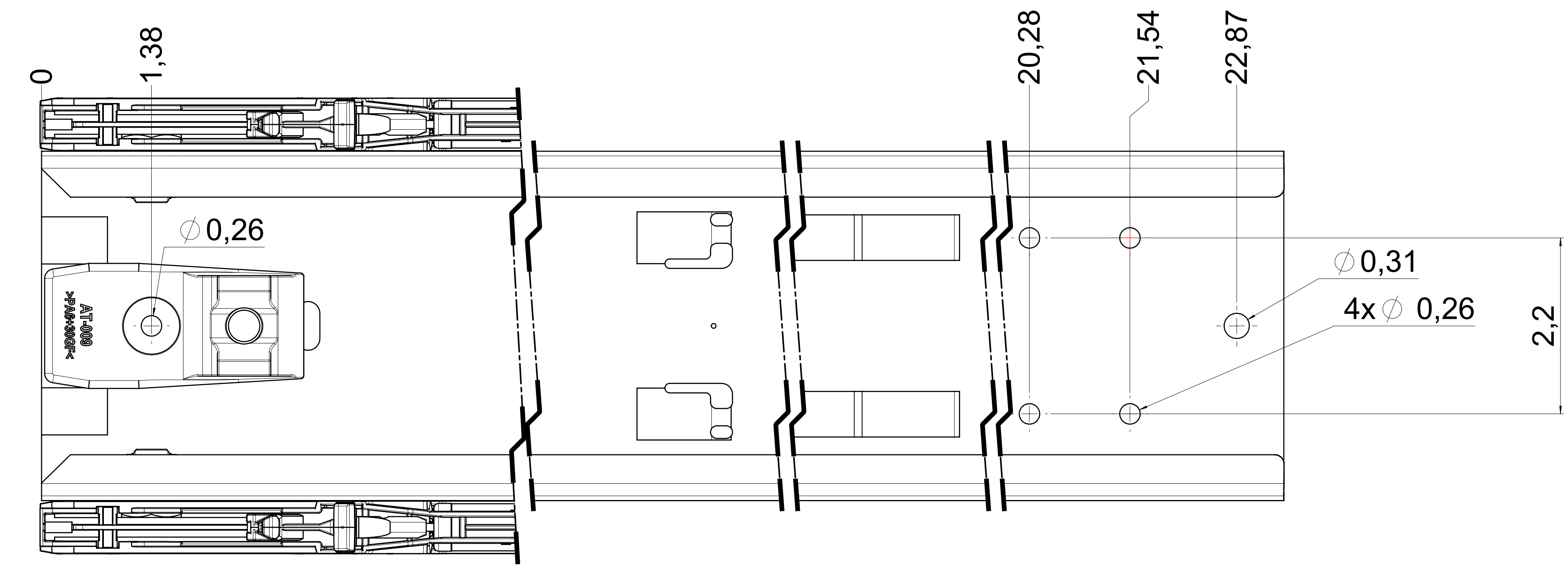
top guide drawer profile



bottom guide drawer profile



bottom guide cabinet profile



**final approval**

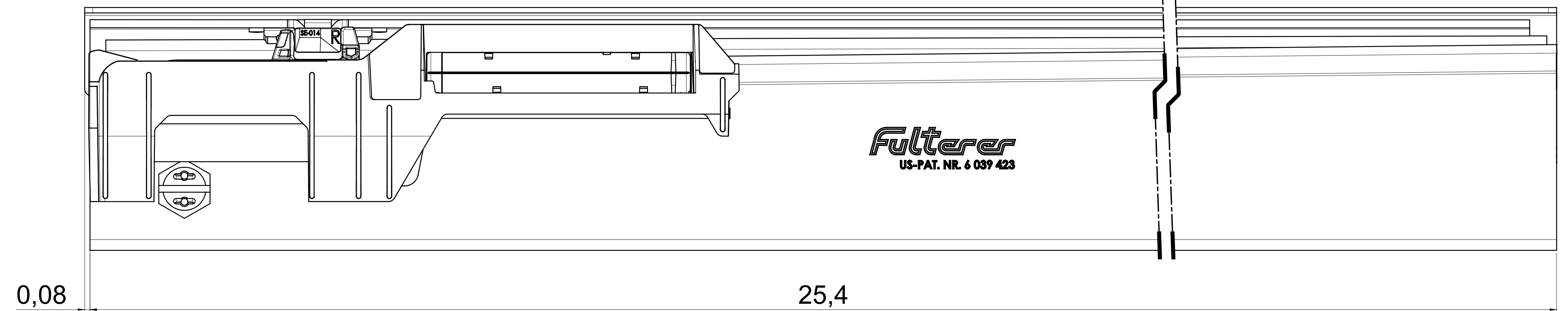
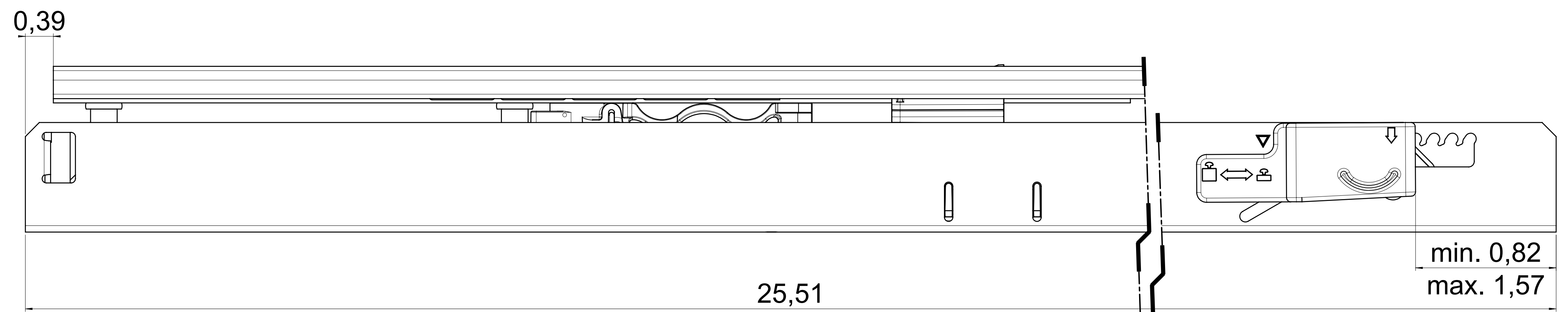
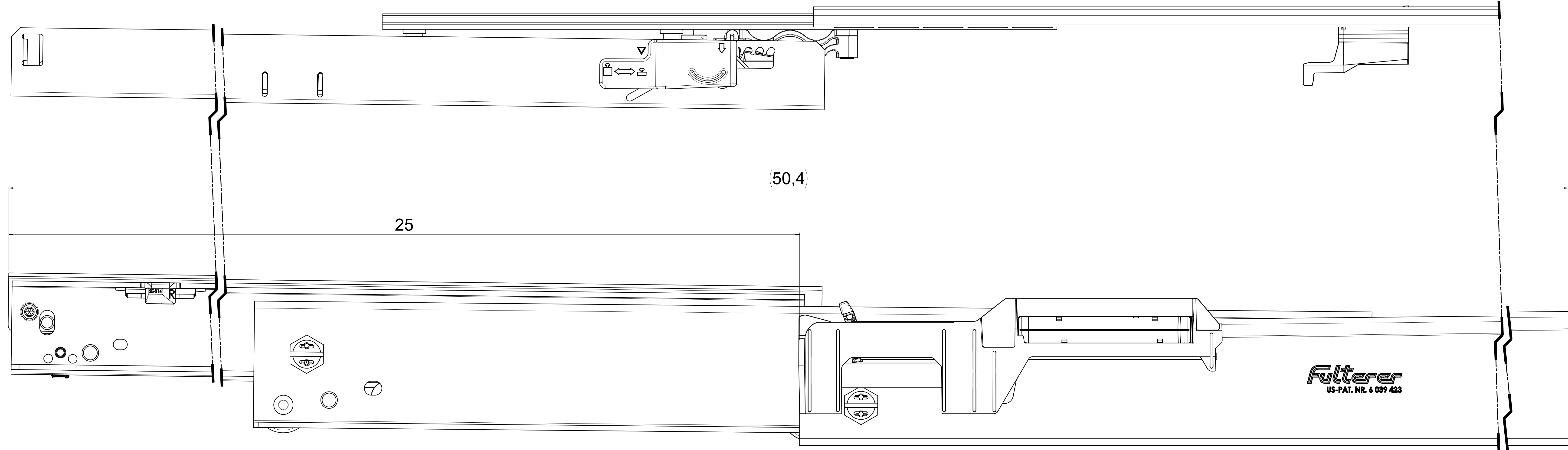
customer name: \_\_\_\_\_

signed by: \_\_\_\_\_

date: \_\_\_\_\_

<p><b>all dimensions in inch</b></p> <p>This drawing remains our property and may not be disclosed to third parties (§§1,3 and 5 from the copyright Act (UrHG)). covered according to DIN ISO 15016</p>		<p>DIN ISO 128-30 missing dimensions see 3D = theor. intersection</p>	
scale:	1:1	surface:	steel (technical requirements Filterer)
material:	semi finished parts	material:	steel (technical requirements Filterer)
drawn:	21-11-2021	name:	GB
proven:	00-00-0000	description:	FR 777A / 60 - EN (inch) progressive-action full-extension drawerslide / bottom mount
<p><b>Filterer</b></p> <p>Filterer AG &amp; Co KG A-680 Lustenau / Austria</p>		<p>drawing number: <b>777A.600-GA.0000</b> replaces version 03/02</p>	
changes:	date:	na:	na:

dimensions without coating / maximum coating allowed 0.1mm



= check dimension , next free check number

**final approval**

customer name: \_\_\_\_\_

signed by: \_\_\_\_\_

date: \_\_\_\_\_

all dimensions in inch				DIN ISO 128-30 missing dimensions see 3D = theor. intersection	
This drawing remains our property and may not be multiplied neither be disclosed to third parties (§§1,3 and 5 from the copyright Act (UrHG)) covered according to DIN ISO 16016				material: semi finished parts: <b>AO</b>	
scale:	1:1	surface:	steel	(technical requirements Filterer)	
drawn:	21-11-2021	date:	GB	description: FR 777A/ 60 EN (inch)	
proven:	00-00-0000	name:	00	progressive-action full-extension drawerslide / bottom mount	
Filterer AG & Co KG A-6800 Lustenau / Austria CH-8430 St. Margrethen			drawing number: <b>777A.600-GA.0000</b> replaces version 03/02		
changes	date	na.	includes:		