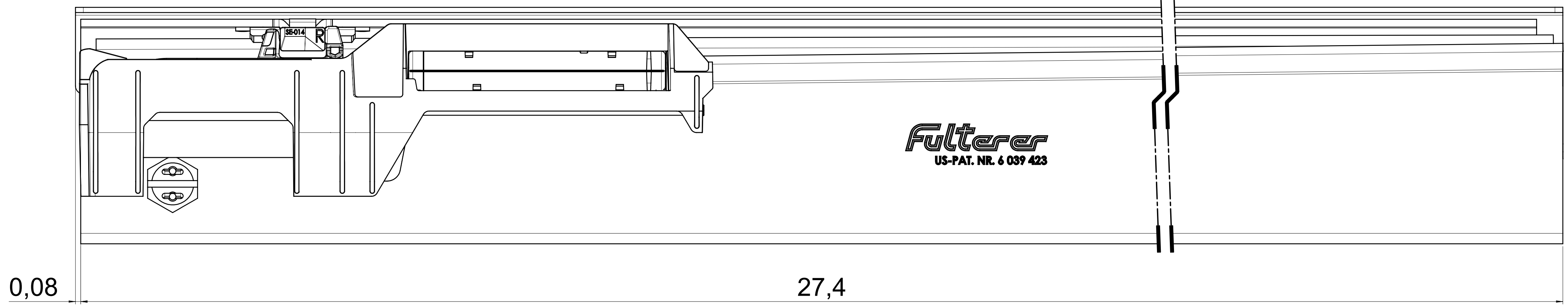
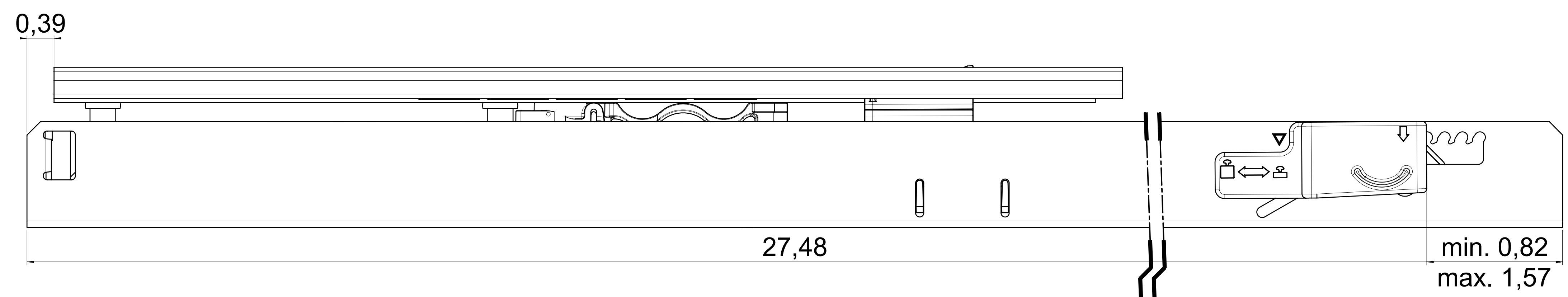
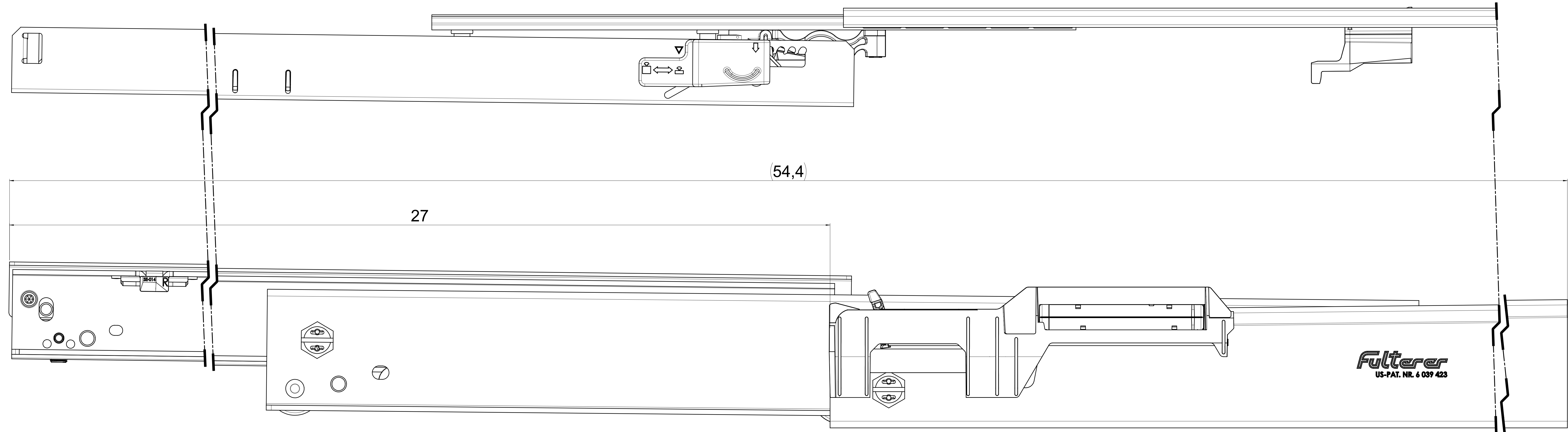


dimensions without coating / maximum coating allowed 0.1mm



final approval
 customer name:
 signed by:
 date:

all dimensions in inch

This drawing remains our property and may not be multiplied neither be disclosed to third parties (§§1,3 and 5 from the copyright Act (UrhG)) covered according to DIN ISO 16016

scale:	1:1	surface:	steel
material:	semi finished parts		
drawn:	21-11-2021	name:	GB
proven:	00-00-0000	description:	FR 777A / 70 - EN (inch)
			progressive-action full-extension
			drawerslide / bottom mount
		Filterer AG & Co KG	drawing number:
		A-6800 Lustenau / Austria	777A.700-GA.0000
		Filterer AG	replaces version GB02:
		CH-8430 St. Margrethen	

DIN ISO 128-30
 missing dimensions see 3D
 = theor. intersection

AO

changes date na.