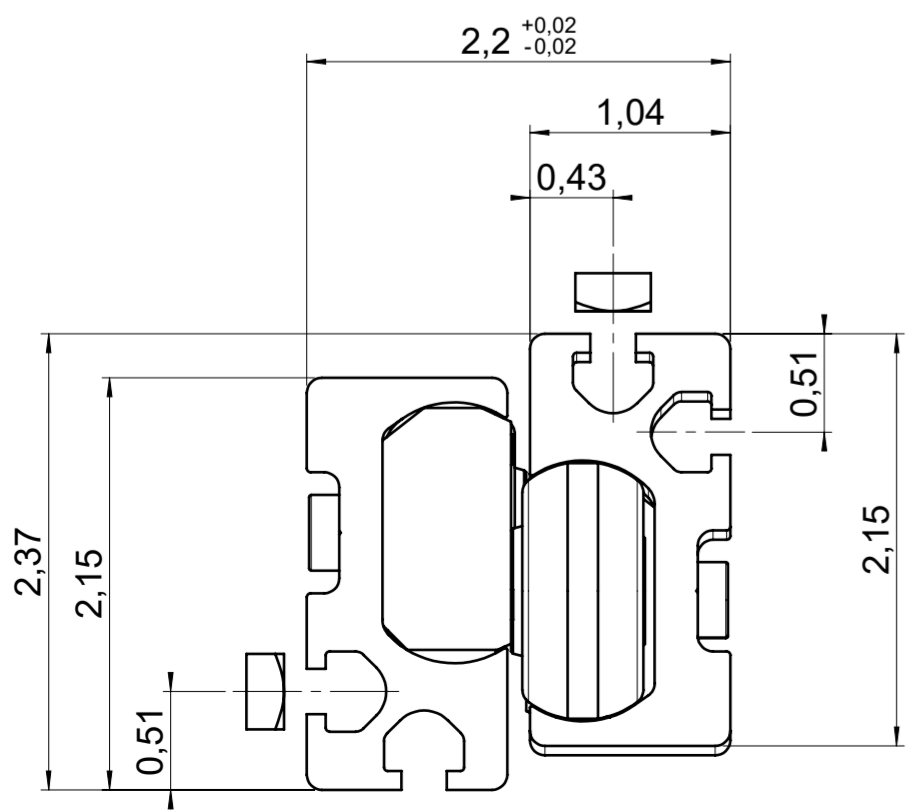
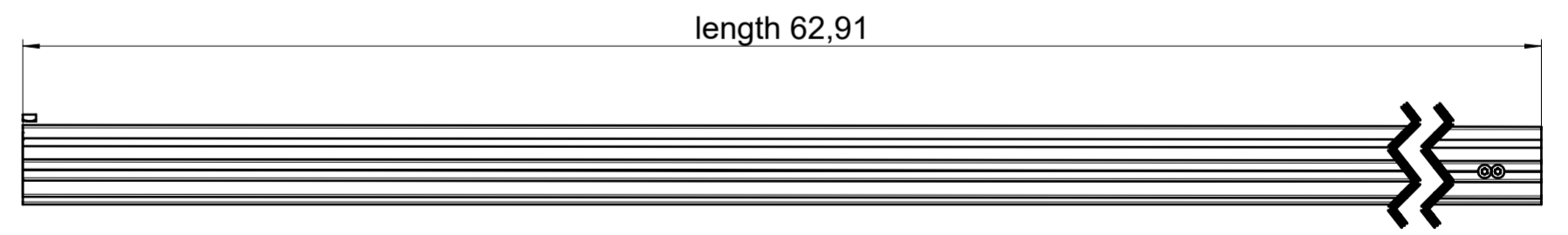
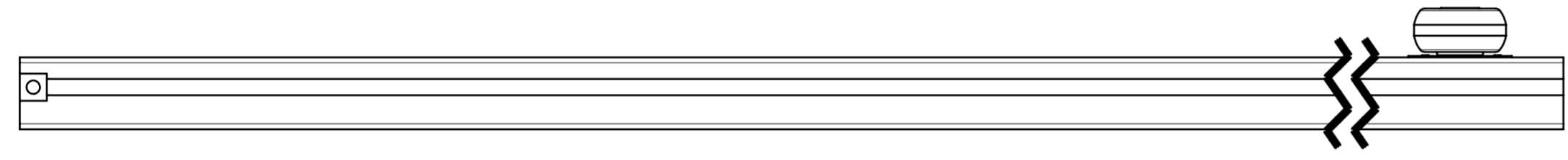
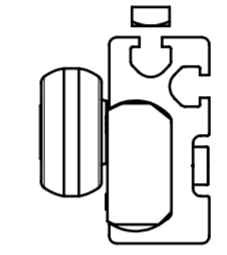
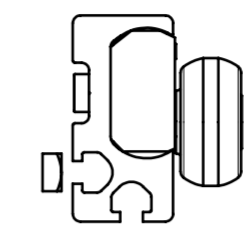
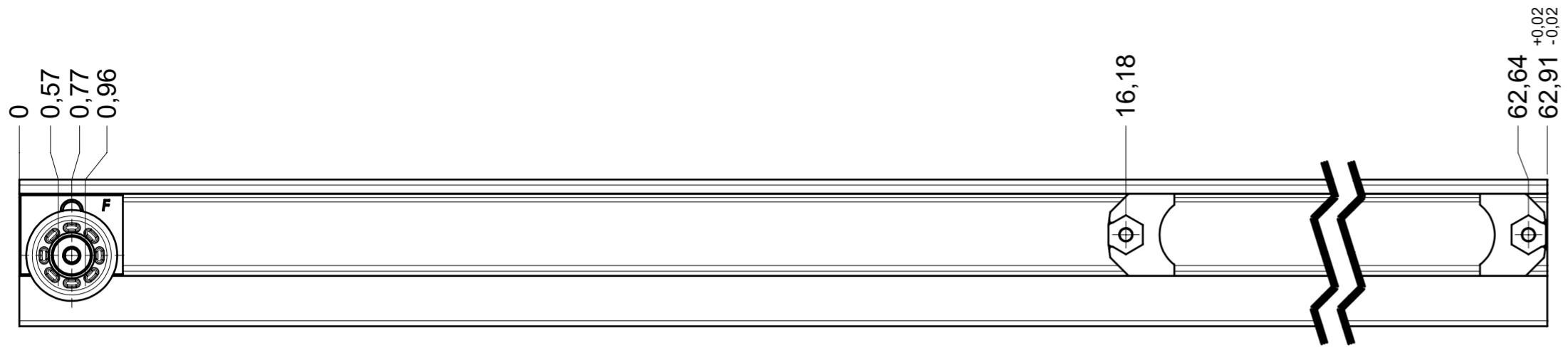


drawn left



**final approval**

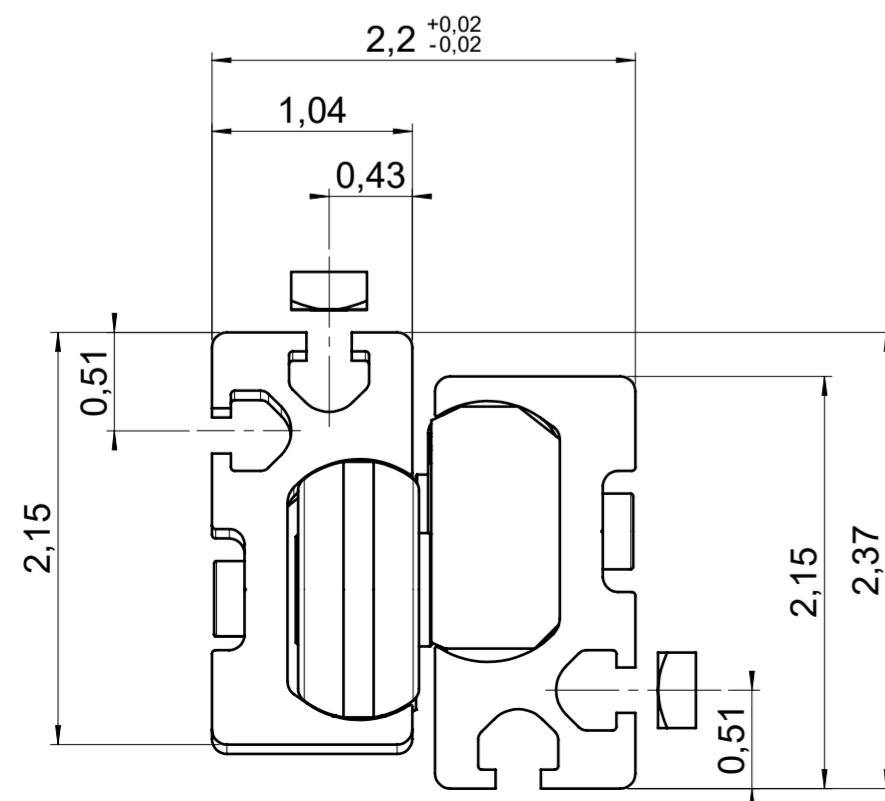
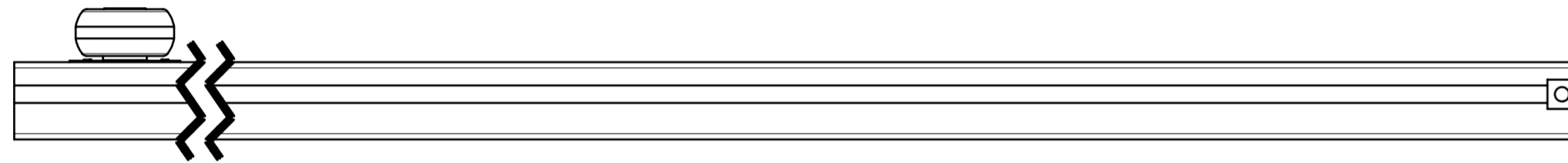
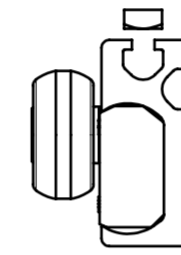
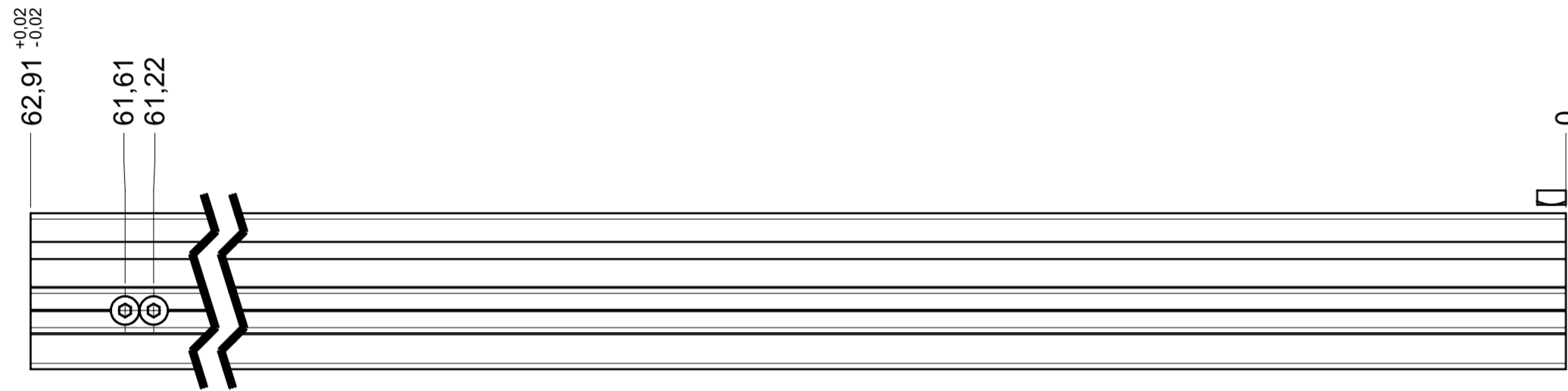
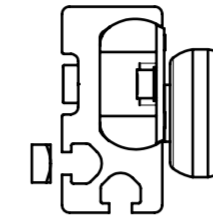
customer name:

signed by:

date:

<b>all dimensions in inch</b>				DIN ISO 128-30 missing dimensions see 3D = theor. intersection	
This drawing remains our property and may not be multiplied neither be disclosed to third parties (§§1,3 and 5 from the copyright Act (UrhG)) covered according to DIN ISO 16016					
scale: 1:2		surface:		material, semi finished parts: CS (technical requirements Fulterer)	
(k)		drawn	01-02-2023	date	name
(l)		proven	01-03-2023	date	name
(h)		description: FR 9000 / 160 EN (inch) progressive-action full-extension drawerslide / side mount			
(g)		drawing number: 9000.1600-GA.0000.li			
(f)		replaces version date:			
(e)		Fulterer AG & Co KG A-6890 Lustenau / Austria			
(d)		Fulterer AG CH-9430 St. Margrethen			
(c)		ind.	changes	date	na.
(b)					
(a)					

drawn right



**final approval**

customer name:

signed by:

date:

**all dimensions in inch**

DIN ISO 128-30  
missing dimensions see 3D  
= theor. intersection

This drawing remains our property and may not be multiplied neither be disclosed to third parties (§§1,3 and 5 from the copyright Act (UrhG)) covered according to DIN ISO 16016				scale:	surface:	material, semi finished parts:	A2
(k)				1:2		CS	
(l)				drawn	date	name	
(h)				01-02-2023	01-02-2023	ex	(technical requirements Fulterer)
(g)				proven	01-03-2023	pr	
(f)						description:	
(e)			FR 9000 / 170 EN (inch)			progressive-action full-extension drawerslide / side mount	
(d)				Fulterer AG & Co KG		drawing number:	
(c)				A-6890 Lustenau / Austria		9000.1600-GA.0000.re	
(b)				Fulterer AG		replaces version date:	
(a)				CH-9430 St. Margrethen			
ind.	changes	date	na.				