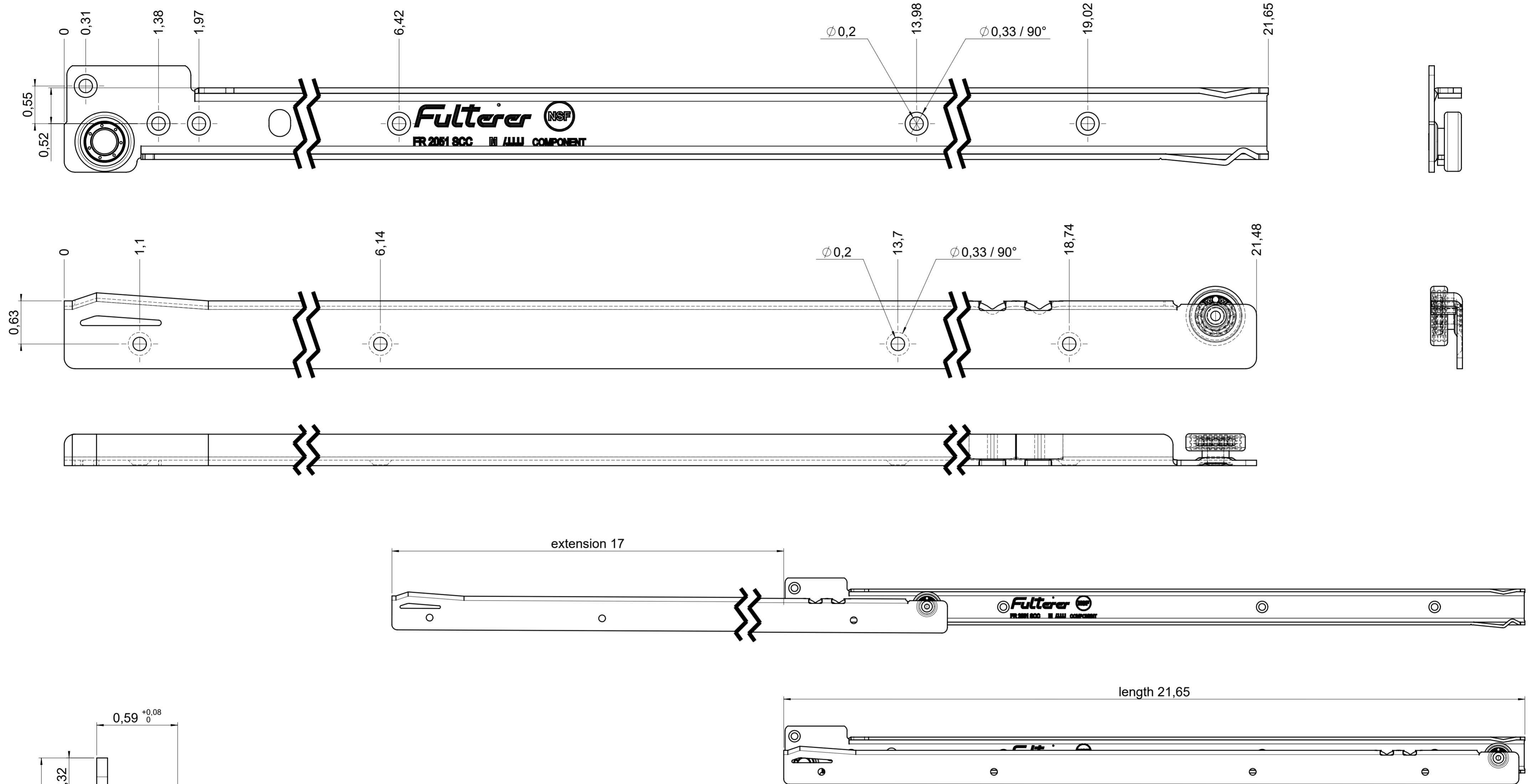


drawn left



**final approval**

customer name:

signed by:

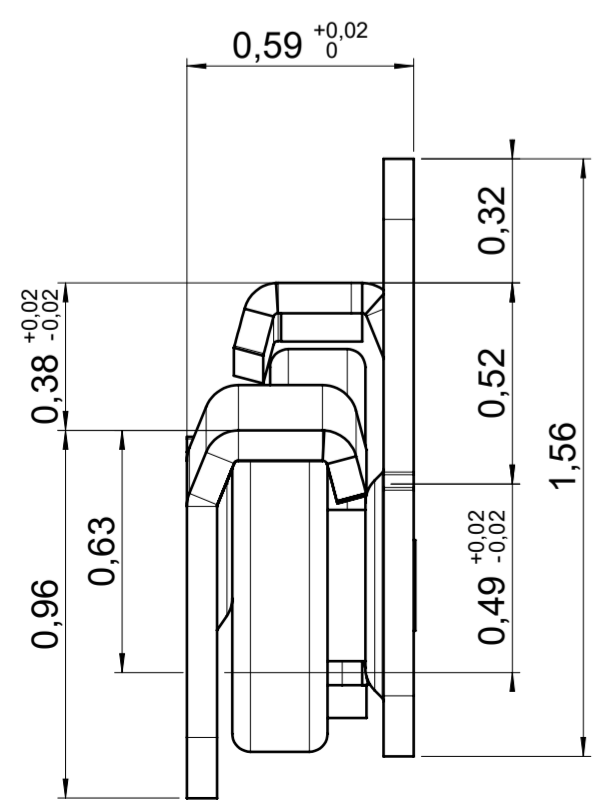
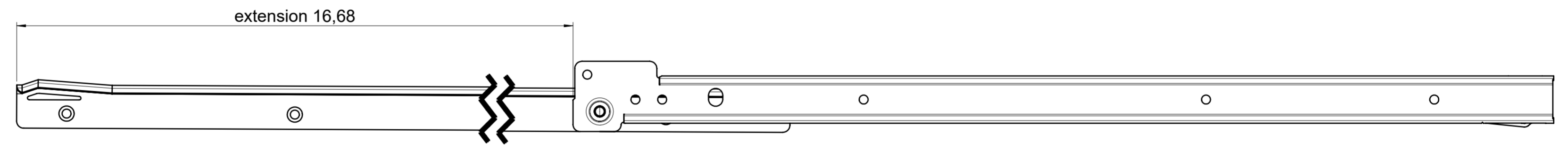
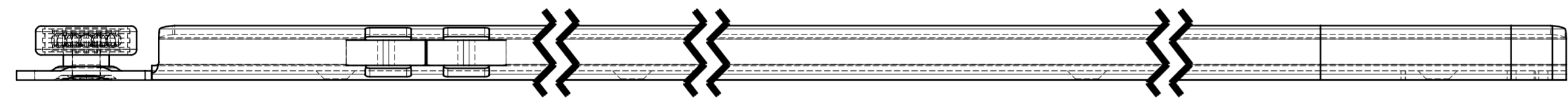
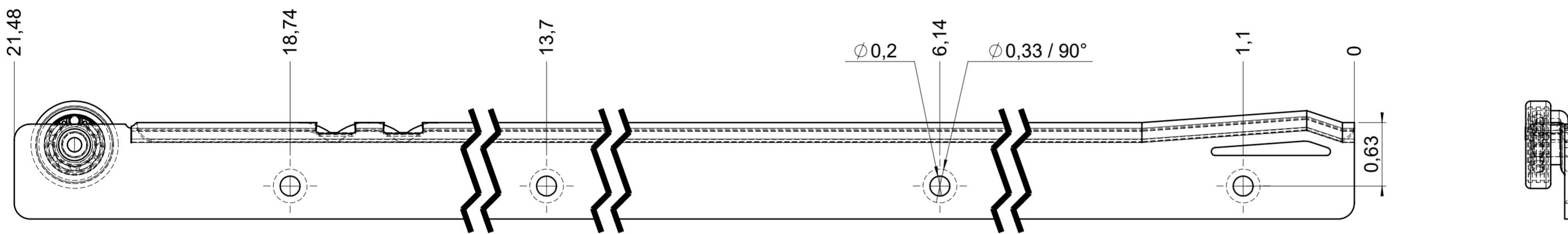
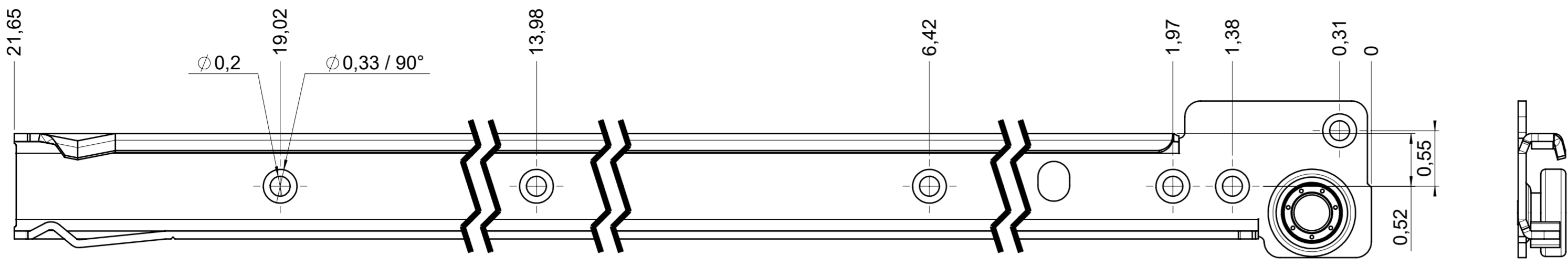
date:

**all dimensions in inch**

DIN ISO 128-30  
missing dimensions see 3D  
= theor. intersection

This drawing remains our property and may not be multiplied neither be disclosed to third parties (§§1,3 and 5 from the copyright Act (UrhG)) covered according to DIN ISO 16016				scale:	surface:	material, semi finished parts: CS (technical requirements Filterer)
		1:1			A2	
(k)			date	name	description: FR 1051 / 55 CS EN (inch) regular-extension drawerslide / side mount	
(l)			drawn 01-02-2023	ex		
(h)			proven 01-03-2023	pr		
(g)					drawing number: <b>CS# 1051.550-GA.0000.li</b>	
(f)						
(e)			Fullterer AG & Co KG A-6890 Lustenau / Austria		replaces version date:	
(d)			Fullterer AG CH-9430 St. Margrethen			
(c)			ind.	changes	date	na.

drawn right



**final approval**

customer name:

signed by:

date:

<b>all dimensions in inch</b>				DIN ISO 128-30 missing dimensions see 3D = theor. intersection	
This drawing remains our property and may not be multiplied neither be disclosed to third parties (§§1,3 and 5 from the copyright Act (UrhG)) covered according to DIN ISO 16016					
scale: 1:1		surface:		material, semi finished parts: CS (technical requirements Fulterer)	
drawn	date	name	ex	description:	
proven	01-02-2023	ex	pr	FR 1051 / 55 CS EN (inch)	
				regular-extension	
				drawerslide / side mount	
drawing number:				drawing number:	
CS# 1051.550-GA.0000.re				CS# 1051.550-GA.0000.re	
replaces version date:				replaces version date:	
ind.	changes	date	na.		