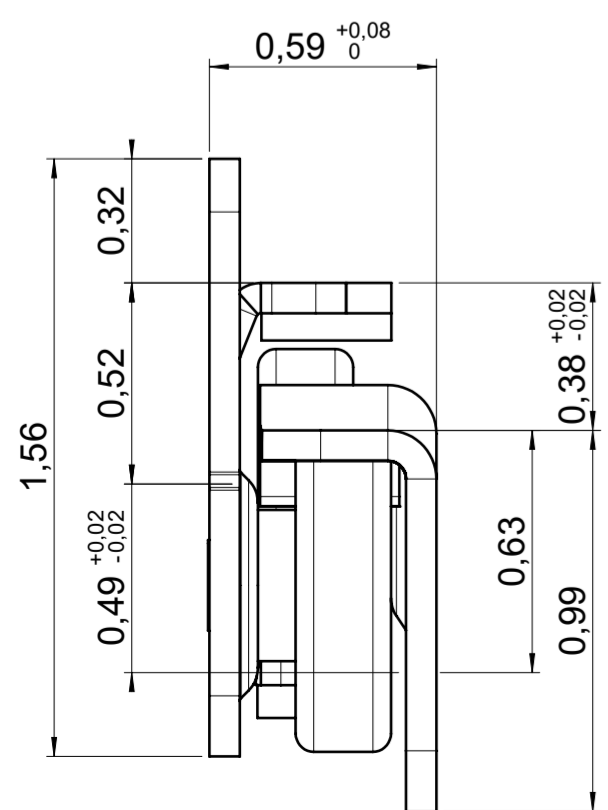
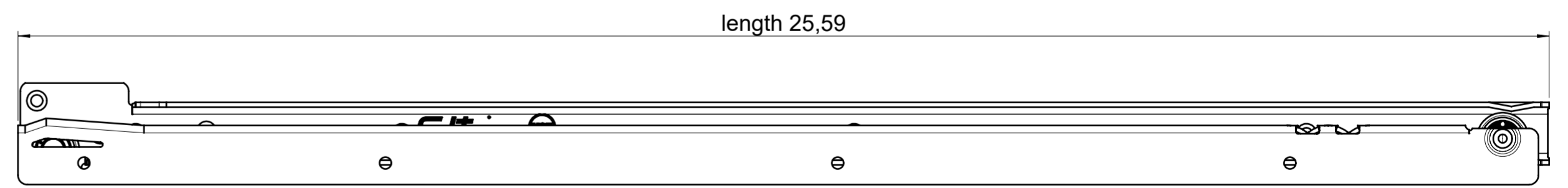
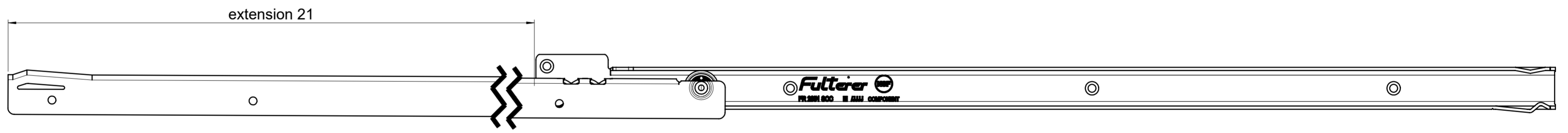
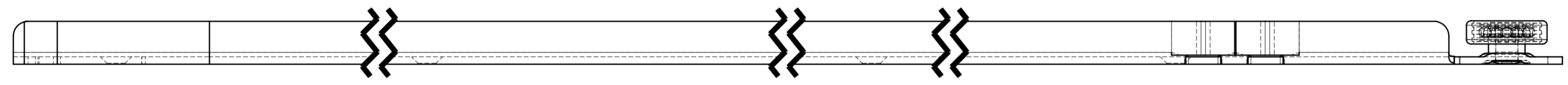
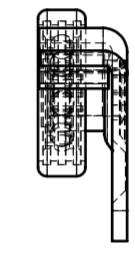
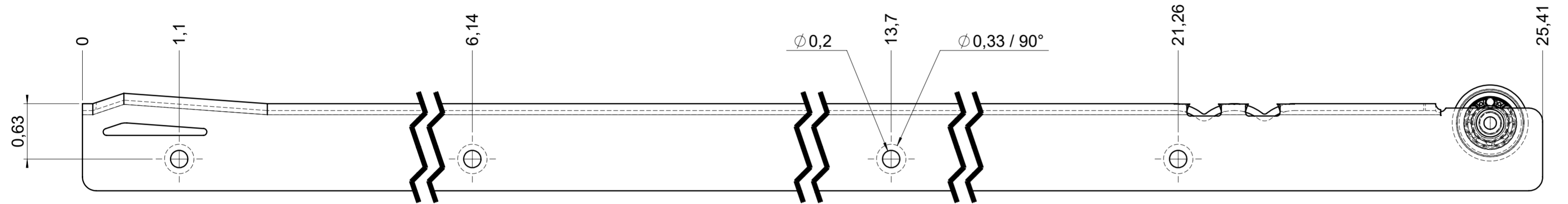
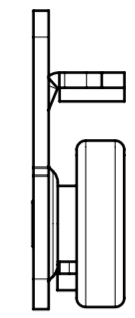
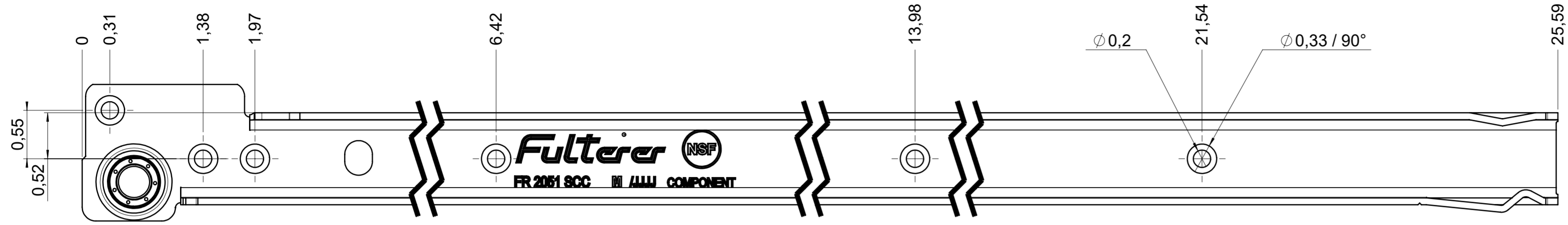


drawn left



final approval

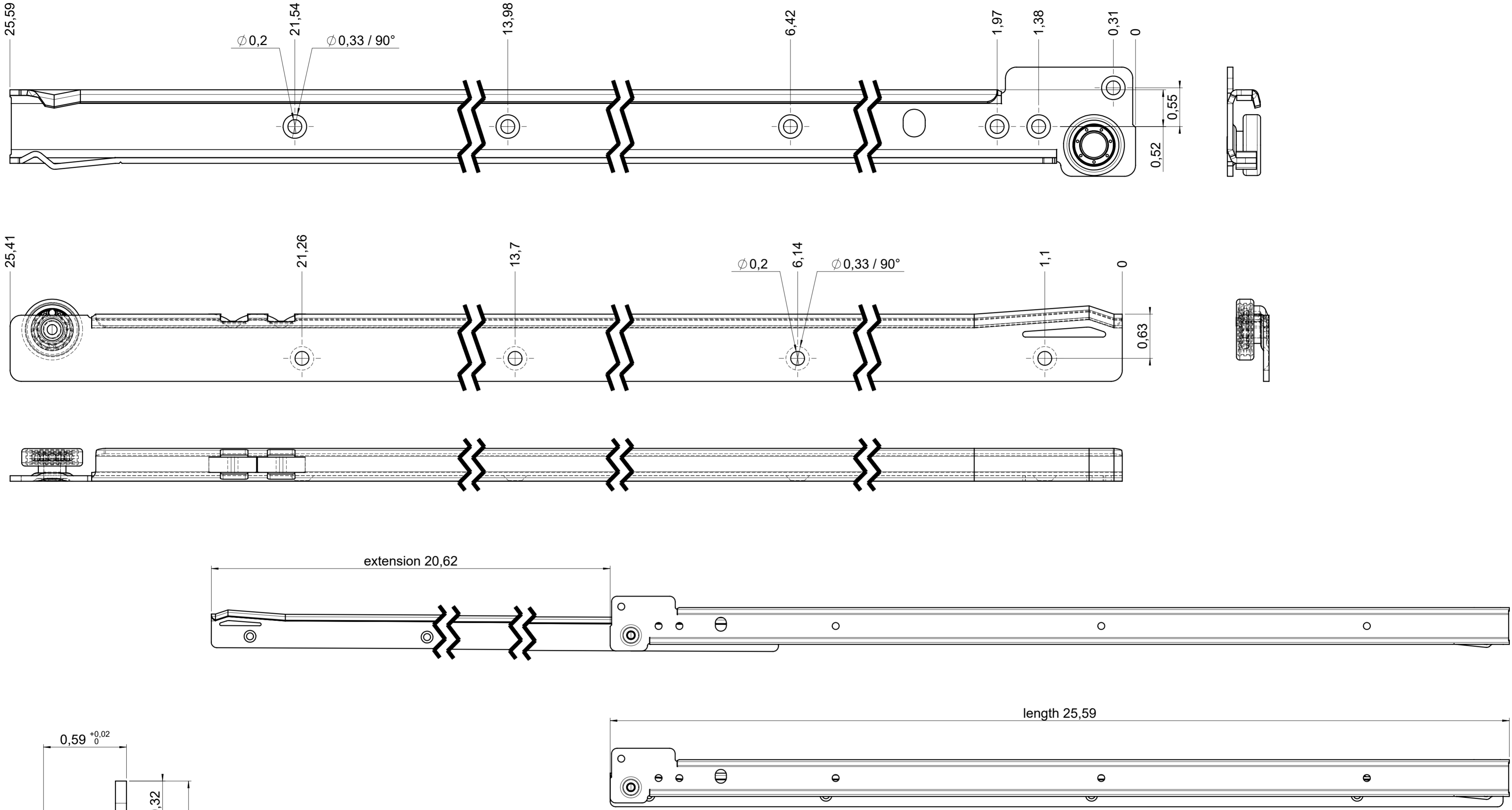
customer name: _____

signed by: _____

date: _____

all dimensions in inch				DIN ISO 128-30 missing dimensions see 3D = theor. intersection	
This drawing remains our property and may not be multiplied neither be disclosed to third parties (§§1,3 and 5 from the copyright Act (UrhG)) covered according to DIN ISO 16016					
(k) (l) (m) (n) (o) (p) (q) (r) (s) (t) (u) (v) (w) (x) (y) (z)	scale:	1:1		surface:	material, semi finished parts: CS (technical requirements Fulterer) A2
	drawn	date	name	ex	description: FR 1051 / 65 CS EN (inch) regular-extension drawerside / side mount
	proven	01-03-2023	pr	pr	
	Fulterer				drawing number: CS# 1051.650-GA.0000.li
Fulterer AG & Co KG A-6890 Lustenau / Austria Fulterer AG CH-9430 St. Margrethen				replaces version date:	
ind.	changes	date	na.		

drawn right



final approval

customer name:

signed by:

date:

all dimensions in inch

DIN ISO 128-30
missing dimensions see 3D
= theor. intersection

This drawing remains our property and may not be multiplied neither be disclosed to third parties (§§1,3 and 5 from the copyright Act (UrhG)) covered according to DIN ISO 16016				scale:	surface:	material, semi finished parts:	A2
(k)				1:1		CS	
(l)				drawn	date	name	
(h)				01-02-2023	01-02-2023	ex	(technical requirements Fulterer)
(g)				proven	01-03-2023	pr	
(f)						description:	
(e)			FR 1051 / 65 CS EN (inch)				
(d)						regular-extension	
(c)						drawerside / side mount	
(b)				Fulterer AG & Co KG		drawing number:	
(a)				A-6890 Lustenau / Austria		CS# 1051.650-GA.0000.re	
ind.	changes	date	na.	Fulterer AG		replaces version date:	
				CH-9430 St. Margrethen			