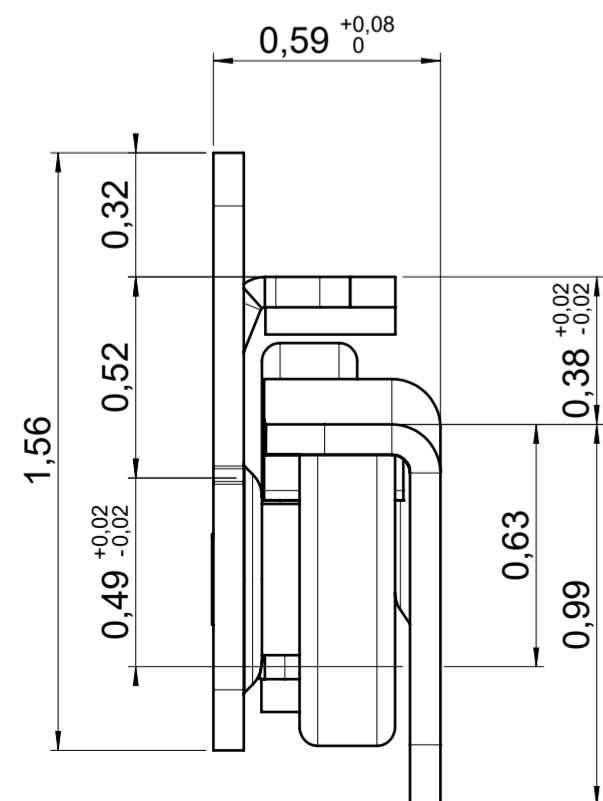
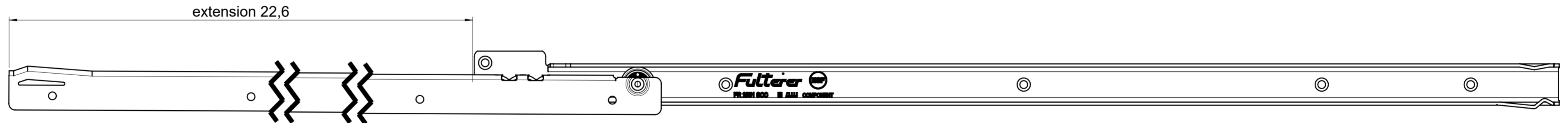
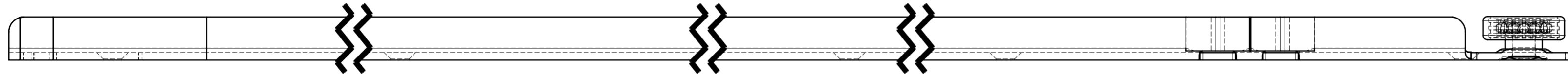
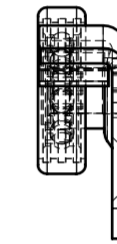
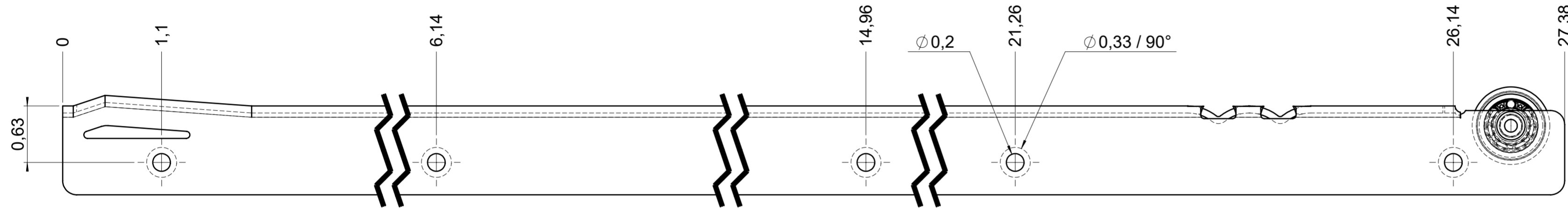
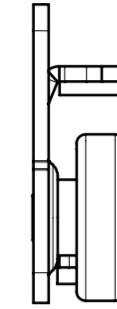
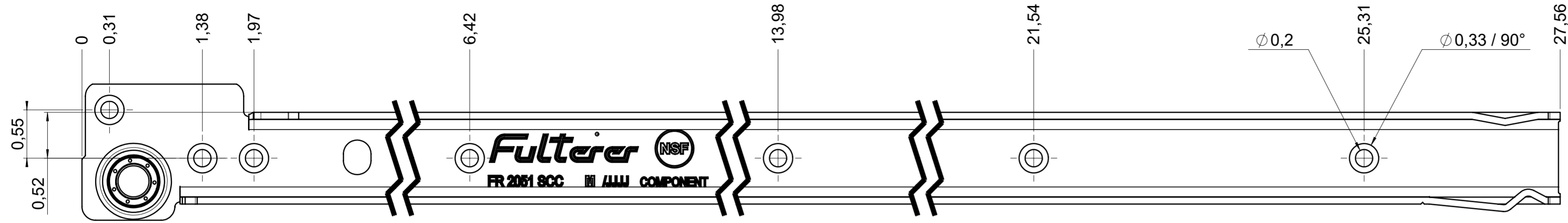


drawn left



final approval

customer name:

signed by:

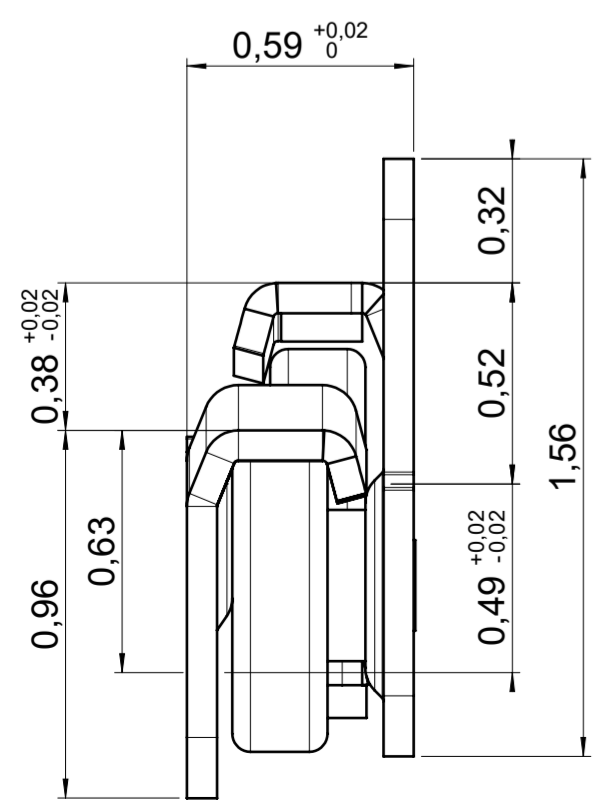
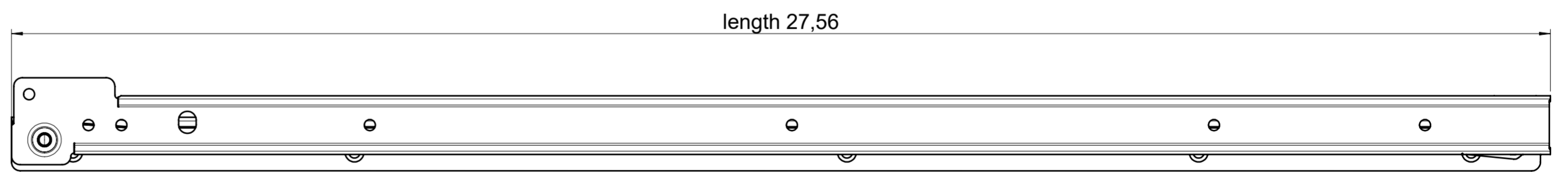
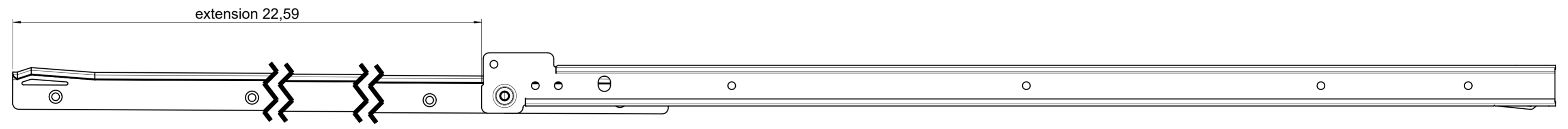
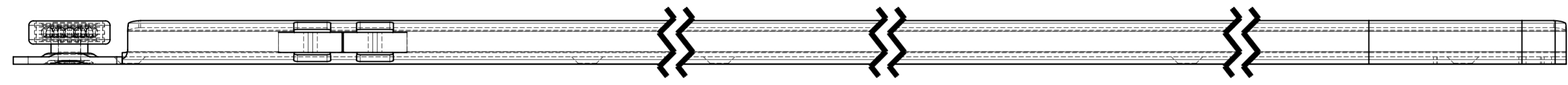
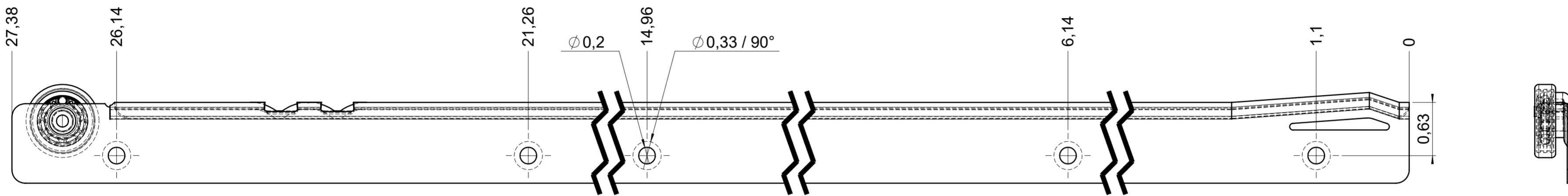
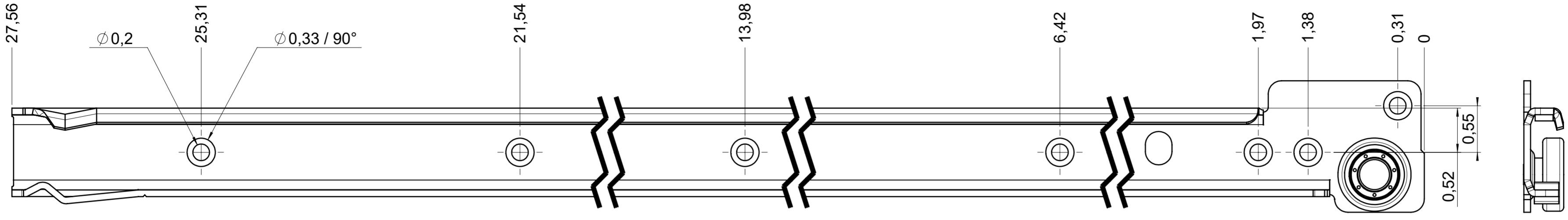
date:

all dimensions in inch

DIN ISO 128-30
missing dimensions see 3D
= theor. intersection

This drawing remains our property and may not be multiplied neither be disclosed to third parties (§§1,3 and 5 from the copyright Act (UrhG)) covered according to DIN ISO 16016				scale:	surface:	material, semi finished parts:	A2
		1:1			CS		
(k)			date	name	description: FR 1051 / 70 CS EN (inch) regular-extension drawerside / side mount		
(l)			drawn 01-02-2023	ex			
(h)			proven 01-03-2023	pr	drawing number: CS# 1051.700-GA.0000.li replaces version date:		
(g)							
(f)							
(e)							
(d)					Fulterer AG & Co KG A-6890 Lustenau / Austria Fulterer AG CH-9430 St. Margrethen		
(c)							
(b)					ind. changes date na.		
(a)							

drawn right



final approval

customer name:

signed by:

date:

all dimensions in inch				DIN ISO 128-30 missing dimensions see 3D = theor. intersection	
This drawing remains our property and may not be multiplied neither be disclosed to third parties (§§1,3 and 5 from the copyright Act (UrhG)) covered according to DIN ISO 16016					
scale: 1:1		surface:		material, semi finished parts: CS (technical requirements Fulterer)	
drawn 01-02-2023		date 01-02-2023		name ex	
proven 01-03-2023		date 01-03-2023		name pr	
Fulterer				description: FR 1051 / 70 CS EN (inch) regular-extension drawerside / side mount	
Fulterer AG & Co KG A-6890 Lustenau / Austria				drawing number: CS# 1051.700-GA.0000.re	
Fulterer AG CH-9430 St. Margrethen				replaces version date:	
ind.	changes	date	na.		