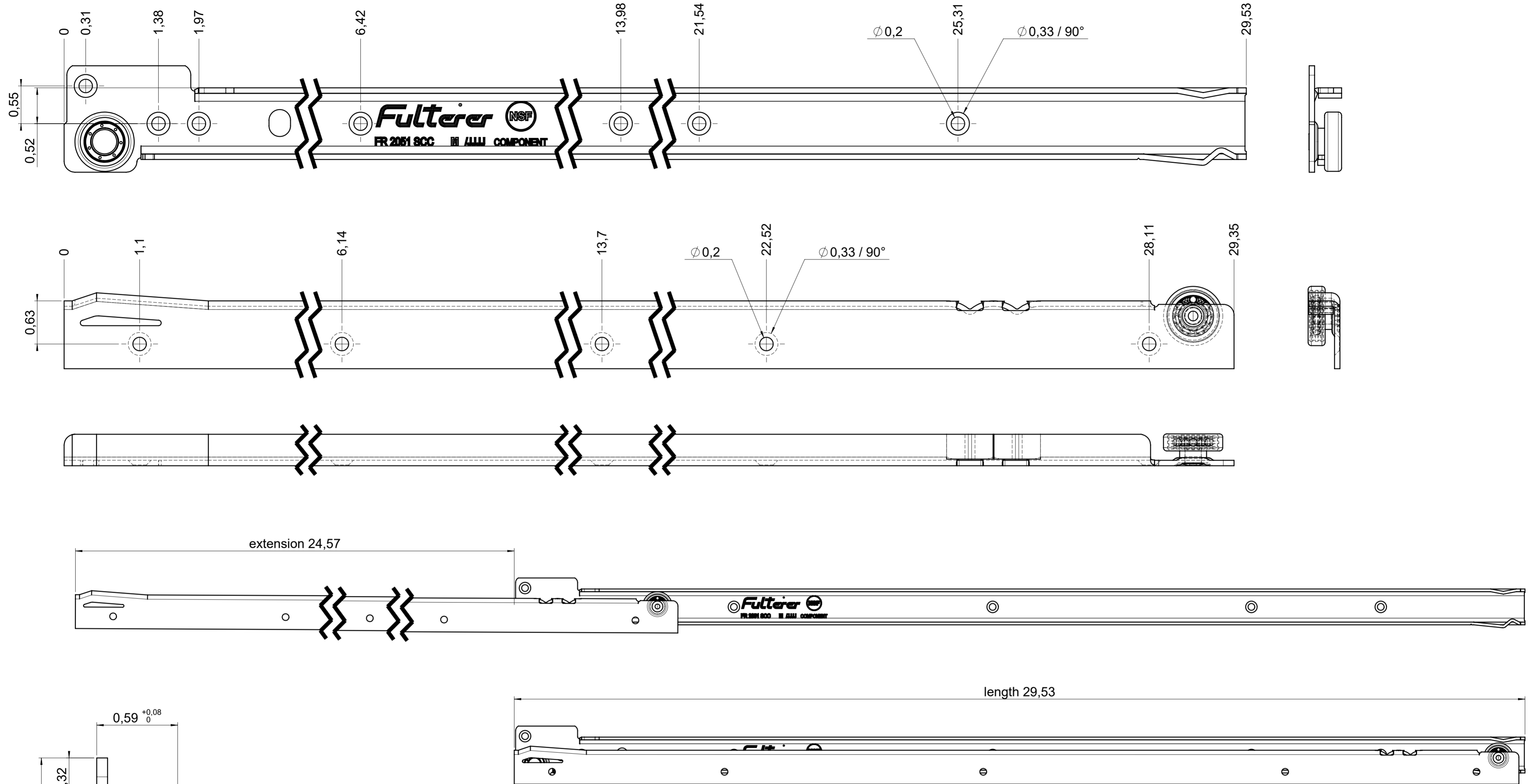


drawn left



final approval

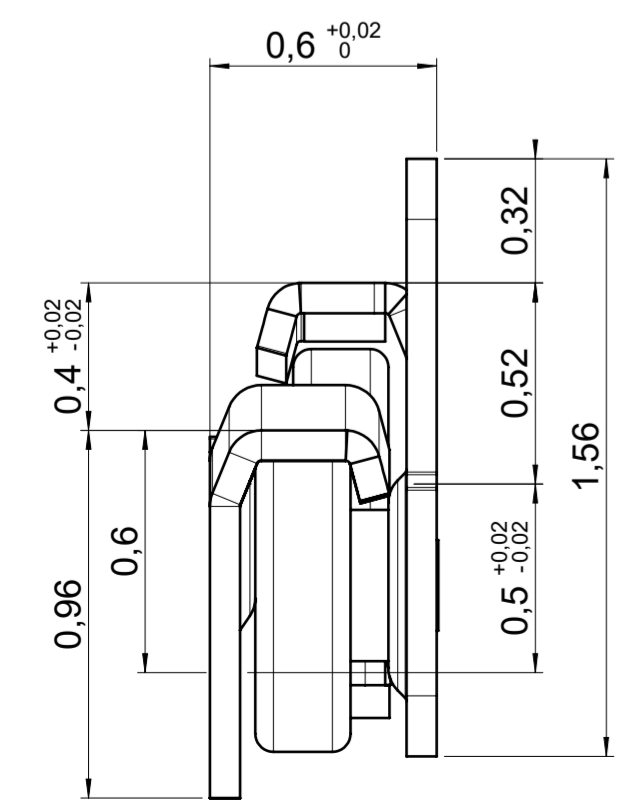
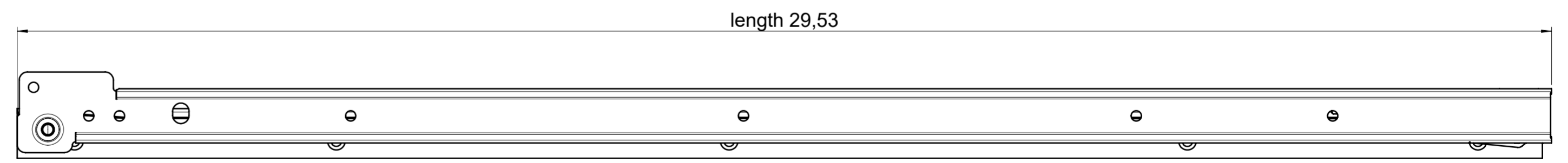
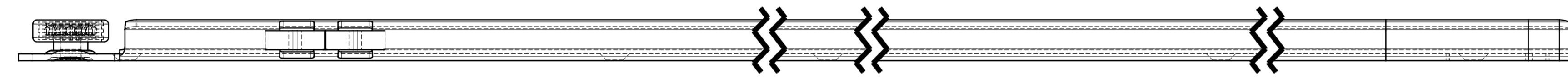
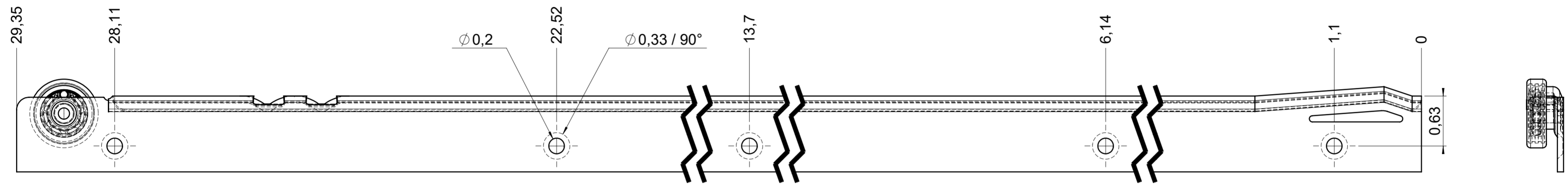
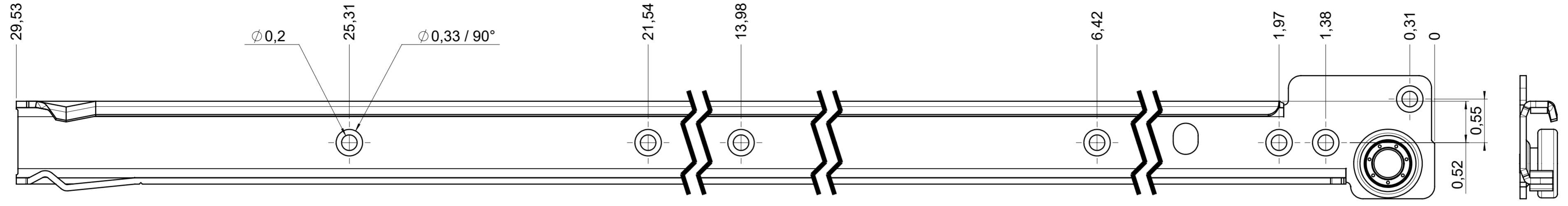
customer name:

signed by:

date:

all dimensions in inch				DIN ISO 128-30 missing dimensions see 3D = theor. intersection	
This drawing remains our property and may not be multiplied neither be disclosed to third parties (§§1,3 and 5 from the copyright Act (UrhG)) covered according to DIN ISO 16016					
scale: 1:1		surface:		material, semi finished parts: CS (technical requirements Filterer)	
drawn	date	name	ex	description: FR 1051 / 75 CS EN (inch) regular-extension drawerside / side mount	
proven	01-03-2023	pr		drawing number: CS# 1051.750-GA.0000.li	
				replaces version date:	
ind.	changes	date	na.		

drawn right



final approval

customer name:

signed by:

date:

all dimensions in inch			DIN ISO 128-30 missing dimensions see 3D = theor. intersection	
This drawing remains our property and may not be multiplied neither be disclosed to third parties (§§1,3 and 5 from the copyright Act (UrhG)) covered according to DIN ISO 16016				
(k) (l) (m) (n) (o) (p) (q) (r) (s) (t) (u) (v) (w) (x) (y) (z)	scale:	1:1	surface:	material, semi finished parts: CS (technical requirements Fulterer)
	drawn:	01-02-2023	name:	ex
	proven:	01-03-2023	name:	pr
Fulterer Fulterer AG & Co KG A-6890 Lustenau / Austria Fulterer AG CH-9430 St. Margrethen			description: FR 1051 / 75 CS EN (inch) regular-extension drawerside / side mount	
drawing number: CS# 1051.750-GA.0000.re			replaces version date:	
ind.	changes	date	na.	