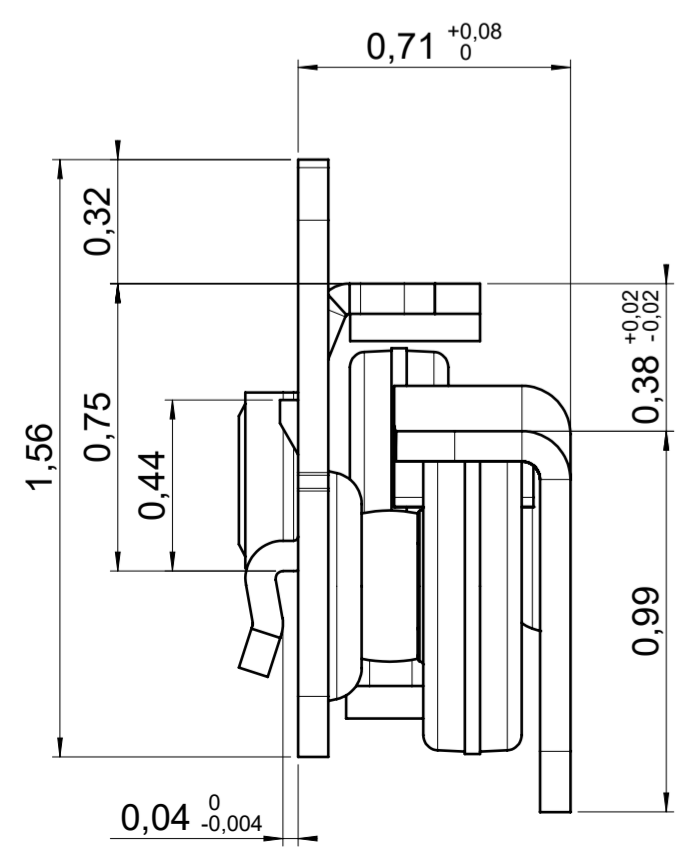
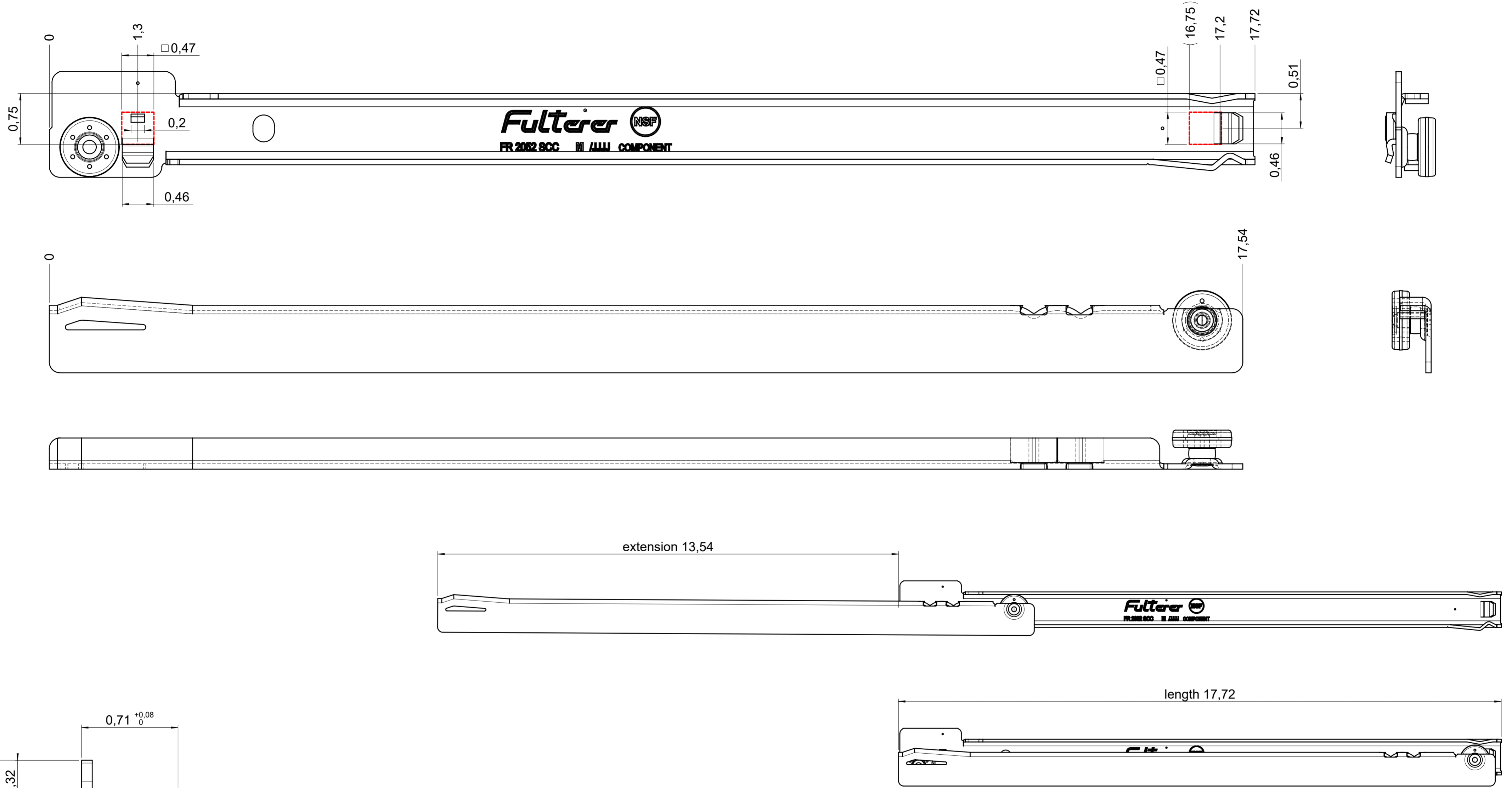


drawn left



**final approval**

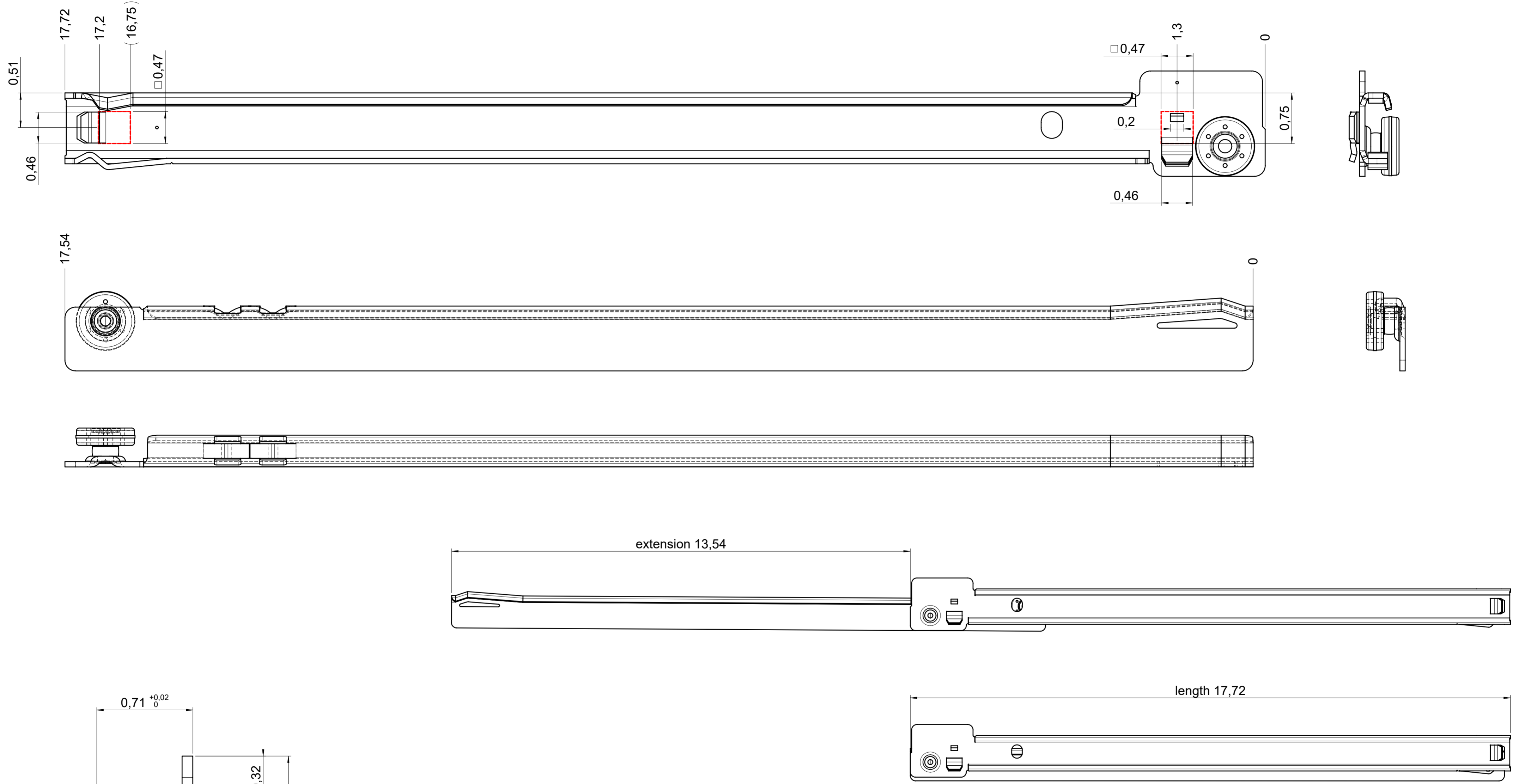
customer name:

signed by:

date:

|  |  |                   |      |  |  |
|--|--|-------------------|------|--|--|
| <b>all dimensions in inch</b>  |  |                   |      | DIN ISO 128-30<br>missing dimensions see 3D<br>= theor. intersection             |  |
| This drawing remains our property and may not be multiplied neither be disclosed to third parties (§§1,3 and 5 from the copyright Act (UrhG)) covered according to DIN ISO 16016 |  |                   |      |  |  |
| scale: 1:1   |  | surface:          |      | material, semi finished parts: CS (technical requirements Fulterer)              |  |
| (k)  |  | date              | name | description: FR 1052 / 45 CS EN (inch) regular-extension drawerside / side mount |  |
| (l)  |  | drawn 01-02-2023  | ex   |  |  |
| (h)  |  | proven 01-03-2023 | pr   |  |  |
| (g)  |  |                   |      |  |  |
| (f)  |  | <b>Fulterer</b>   |      | drawing number: CS# 1052.450-GA.L032.li  |  |
| (e)  |  |                   |      | replaces version date:   |  |
| (d)  |  |                   |      | Fulterer AG & Co KG<br>A-6890 Lustenau / Austria                                 |  |
| (c)  |  |                   |      | Fulterer AG<br>CH-9430 St. Margrethen  |  |
| (b)  |  | changes           | date | na.  |  |
| (a)  |  |                   |      |  |  |
| ind.   |  |                   |      |  |  |

drawn right



**final approval**

customer name:

signed by:

date:

|  |         |                 |     |  |  |
|--|---------|-----------------|-----|--|--|
| <b>all dimensions in inch</b>  |         |                 |     | DIN ISO 128-30<br>missing dimensions see 3D<br>= theor. intersection             |  |
| This drawing remains our property and may not be multiplied neither be disclosed to third parties (§§1,3 and 5 from the copyright Act (UrhG)) covered according to DIN ISO 16016 |         |                 |     |  |  |
| scale: 1:1   |         | surface:        |     | material, semi finished parts: CS (technical requirements Fulterer)              |  |
| drawn 01-02-2023   |         | date 01-02-2023 |     | name ex  |  |
| proven 01-03-2023  |         | date 01-03-2023 |     | name pr  |  |
| <b>Fulterer</b>  |         |                 |     | description: FR 1052 / 45 CS EN (inch) regular-extension drawerside / side mount |  |
|  |         |                 |     | drawing number: CS# 1052.450-GA.L032.re  |  |
| Fulterer AG & Co KG<br>A-6890 Lustenau / Austria<br>Fulterer AG<br>CH-9430 St. Margrethen  |         |                 |     | replaces version date:   |  |
| ind.   | changes | date            | na. |  |  |