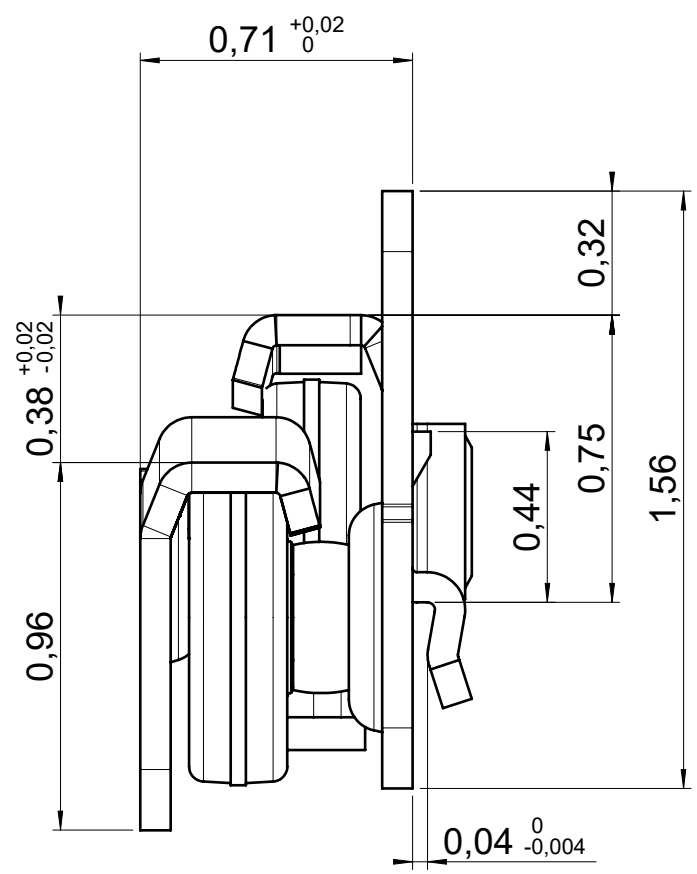
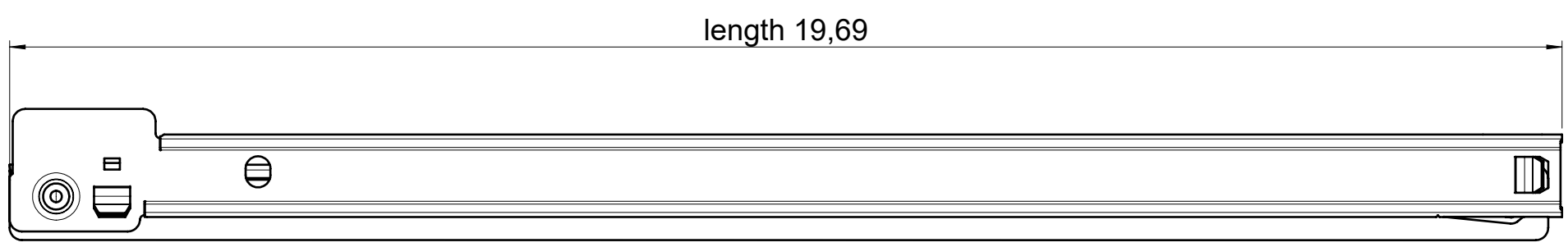
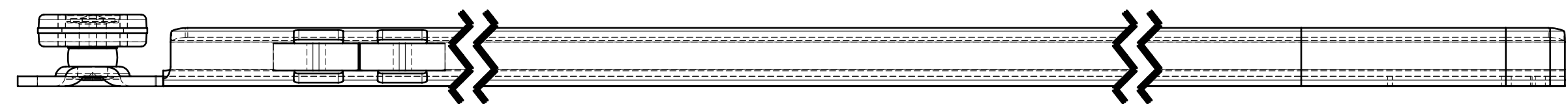
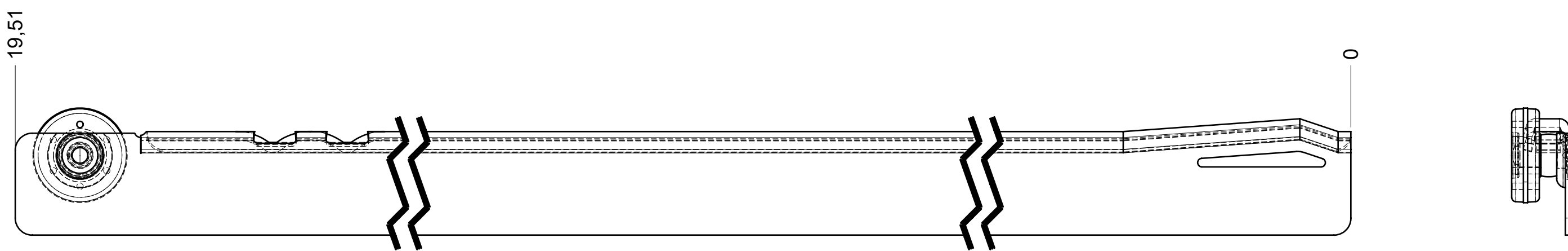


drawn right



final approval

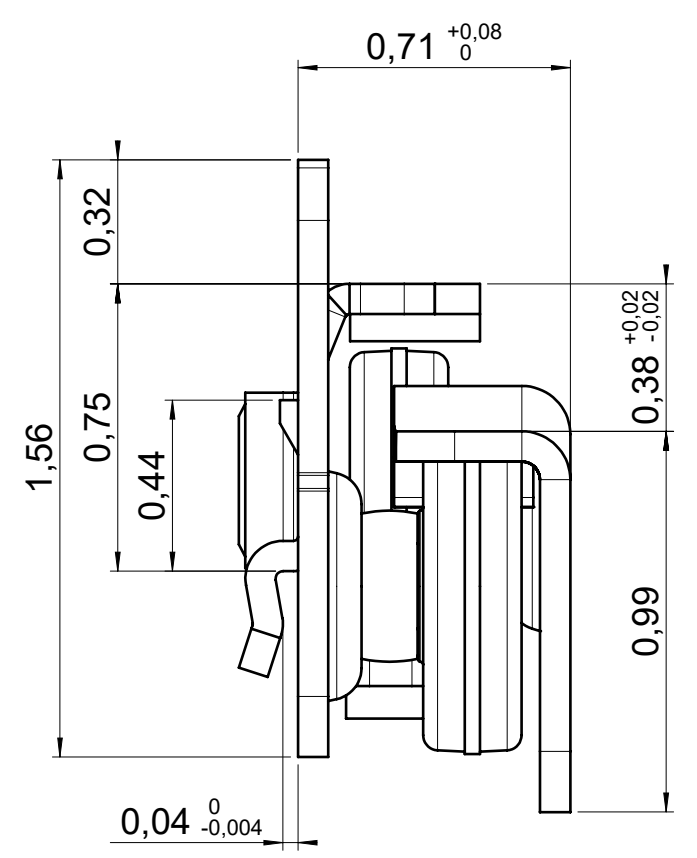
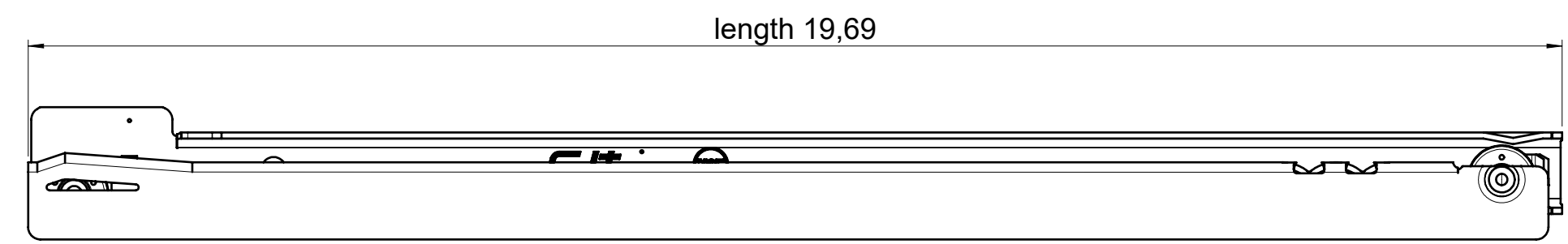
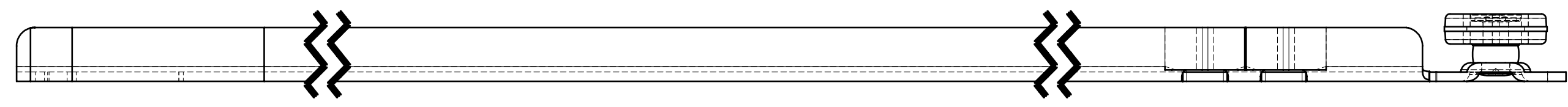
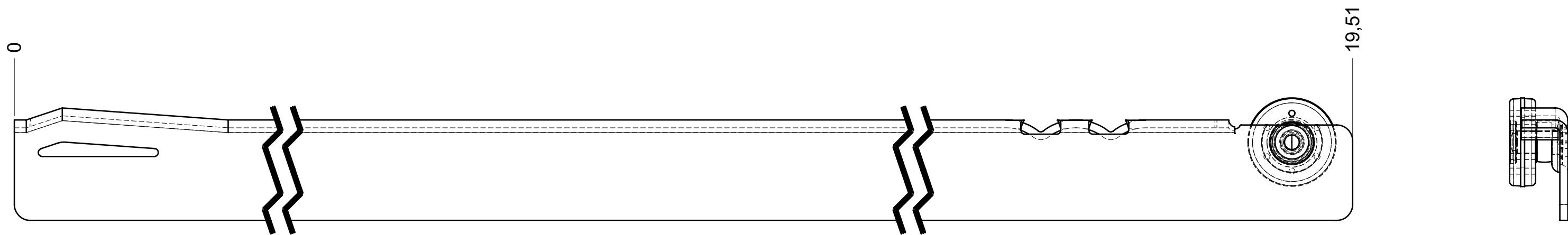
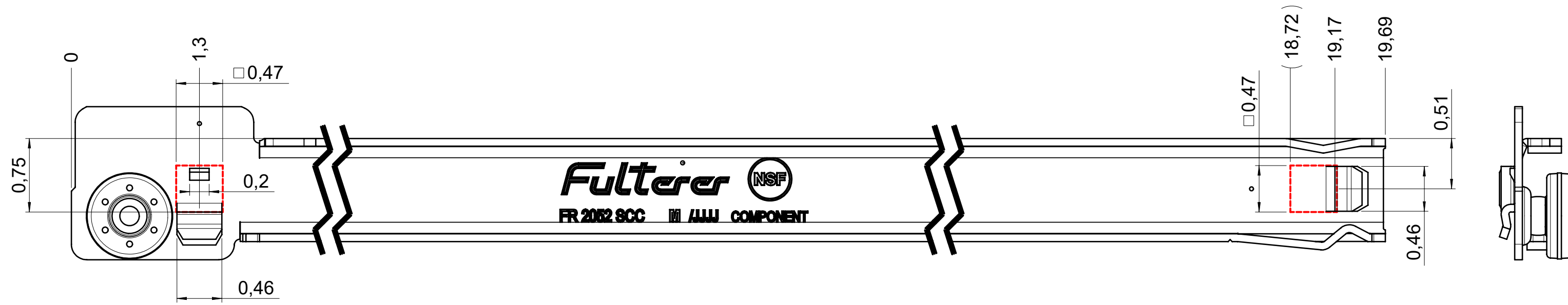
customer name:

signed by:

date:

| | | | | | |
|--|------------|---------------------------------------|-----|---|--|
| all dimensions in inch | | | | DIN ISO 128-30 missing dimensions see 3D = theor. intersection | |
| This drawing remains our property and may not be multiplied neither be disclosed to third parties (§§1,3 and 5 from the copyright Act (UrhG)) covered according to DIN ISO 16016 | | | | | |
| scale: 1:1 | | surface: | | material, semi finished parts: CS (technical requirements Fulterer) | |
| drawn | date | name | ex | description: FR 1052 / 50 CS EN (inch) regular-extension drawerslide / side mount | |
| proven | 01-03-2023 | pr | | drawing number: CS# 1052.500-GA.L032.re | |
| | | | | replaces version date: | |
| Fulterer AG & Co KG A-6890 Lustenau / Austria | | Fulterer AG CH-9430 St. Margrethen | | | |
| ind. | changes | date | na. | | |

drawn left



final approval

customer name:

signed by:

date:

| | | | | | |
|--|------------|---------------------------------------|-----|--|--|
| all dimensions in inch | | | | DIN ISO 128-30 missing dimensions see 3D = theor. intersection | |
| This drawing remains our property and may not be multiplied neither be disclosed to third parties (§§1,3 and 5 from the copyright Act (UrhG)) covered according to DIN ISO 16016 | | | | | |
| scale: 1:1 | | surface: | | material, semi finished parts: CS (technical requirements Fulterer) | |
| drawn | date | name | ex | description: FR 1052 / 50 CS EN (inch) regular-extension drawerside / side mount | |
| proven | 01-03-2023 | pr | | drawing number: CS# 1052.500-GA.L032.li | |
| | | | | replaces version date: | |
| Fulterer AG & Co KG A-6890 Lustenau / Austria | | Fulterer AG CH-9430 St. Margrethen | | | |
| ind. | changes | date | na. | | |