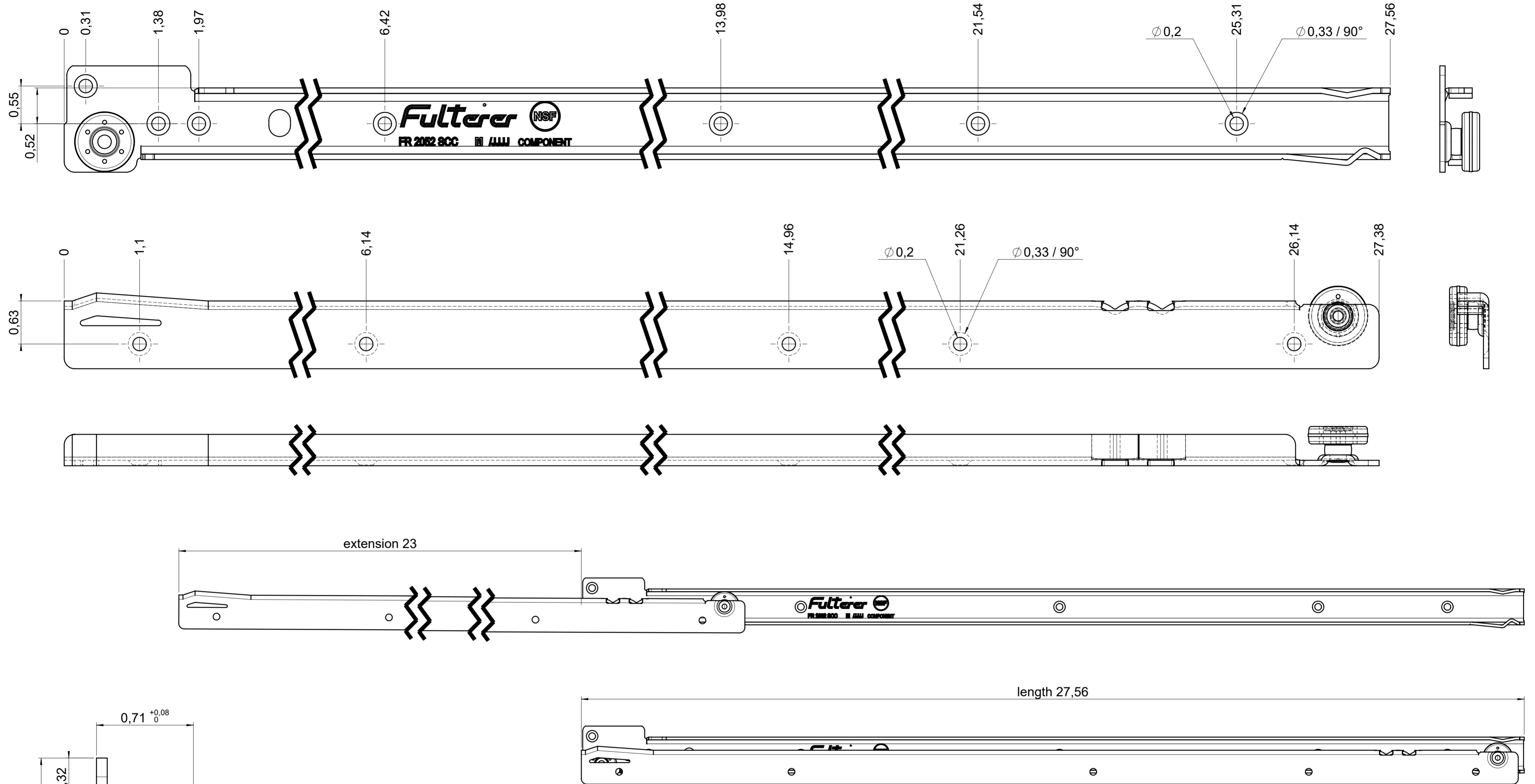


drawn left



final approval

customer name:

signed by:

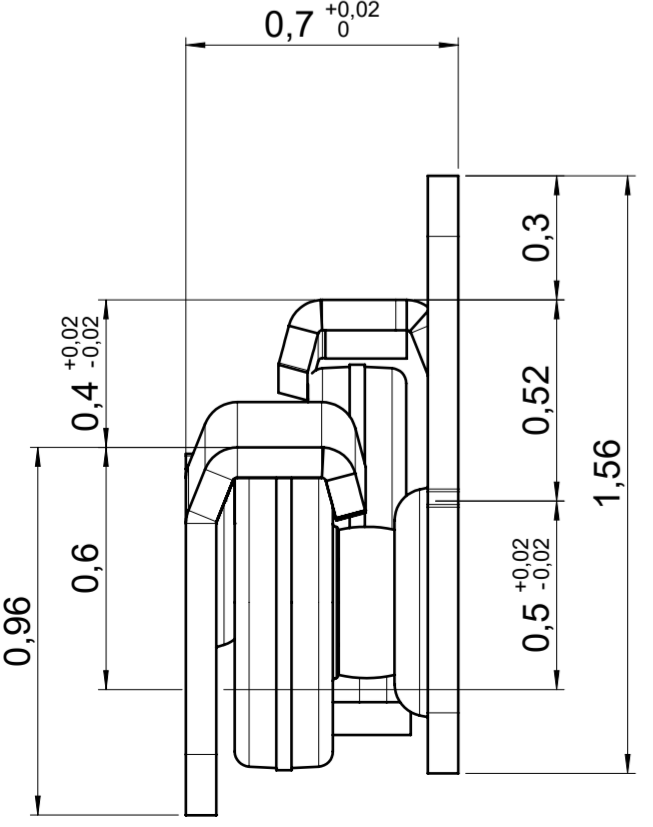
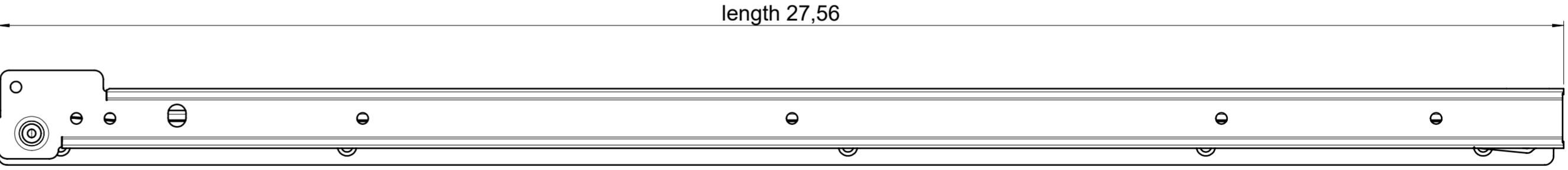
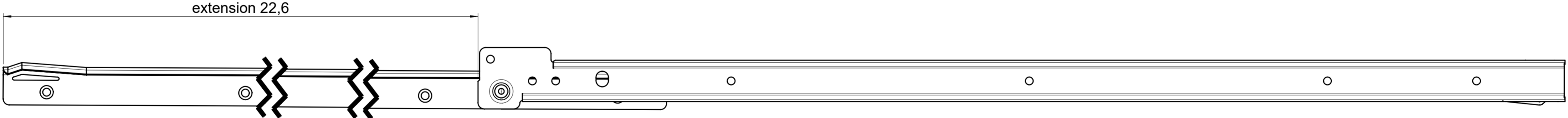
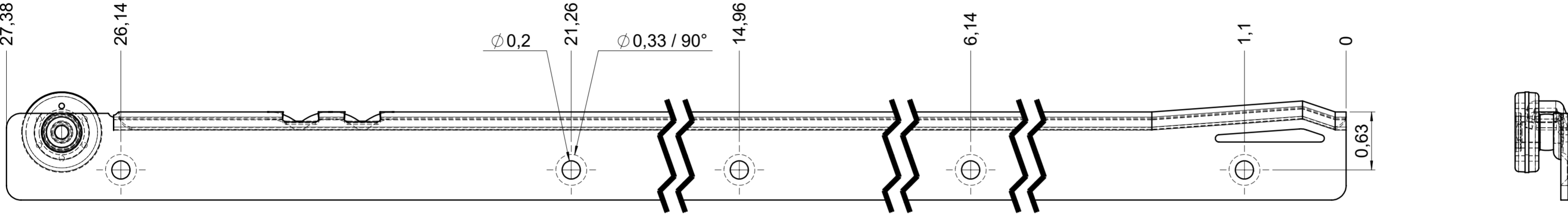
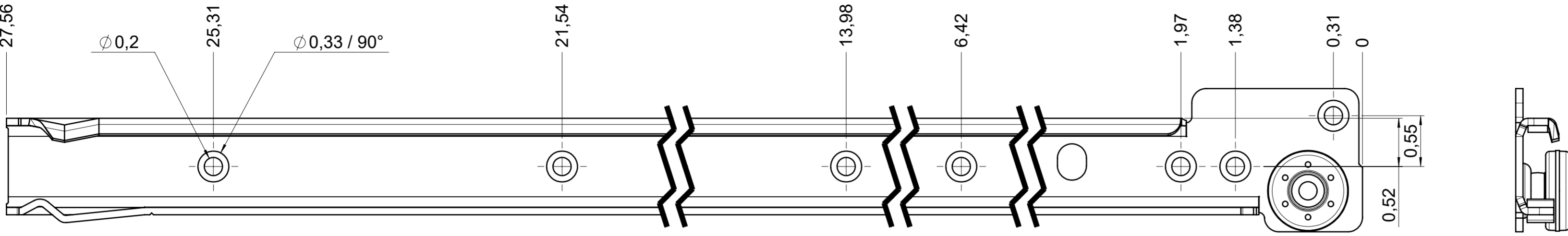
date:

all dimensions in inch

DIN ISO 128-30
missing dimensions see 3D
= theor. intersection

This drawing remains our property and may not be multiplied neither be disclosed to third parties (§§1,3 and 5 from the copyright Act (UrhG)) covered according to DIN ISO 16016				scale: 1:1	surface:	material, semi finished parts:	A2
(k)				date	name	CS	
(l)				drawn 01-02-2023	ex	(technical requirements Fulterer)	
(h)				proven 01-03-2023	pr	description:	
(g)						FR 1052 / 70 CS EN (inch)	
(f)						regular-extension drawerslide / side mount	
(e)				Fulterer AG & Co KG A-6890 Lustenau / Austria		drawing number:	
(d)				Fulterer AG CH-9430 St. Margrethen		CS# 1052.700-GA.0000.li	
(c)						replaces version date:	
(b)				ind.	changes	date	na.
(a)							

drawn right



final approval

customer name:

signed by:

date:

all dimensions in inch				DIN ISO 128-30 missing dimensions see 3D = theor. intersection	
This drawing remains our property and may not be multiplied neither be disclosed to third parties (§§1,3 and 5 from the copyright Act (UrhG)) covered according to DIN ISO 16016					
scale: 1:1		surface:		material, semi finished parts: CS (technical requirements Fulterer)	
drawn	date	name	ex	description: FR 1052 / 70 CS EN (inch) regular-extension drawerside / side mount	
proven	01-03-2023	pr			
Fulterer				drawing number: CS# 1052.700-GA.0000.re	
Fulterer AG & Co KG A-6890 Lustenau / Austria				replaces version date:	
Fulterer AG CH-9430 St. Margrethen					
ind.	changes	date	na.		