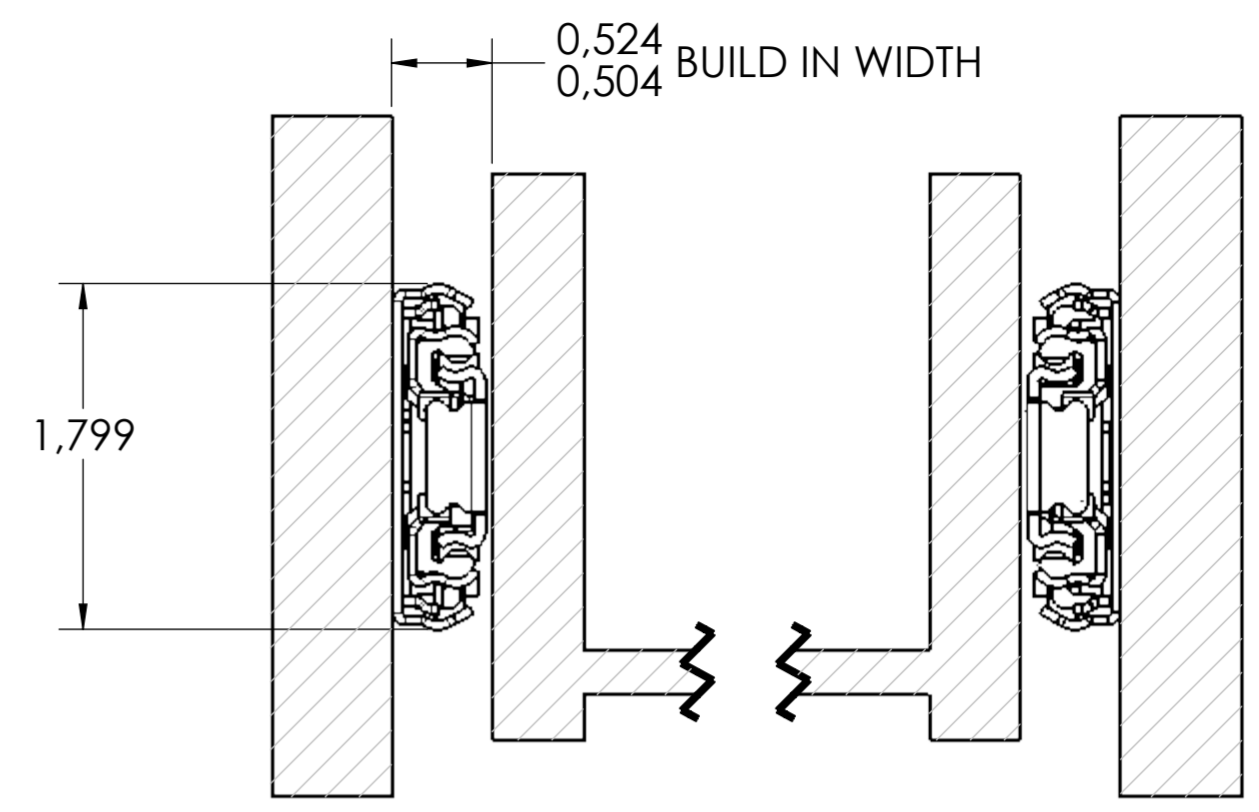
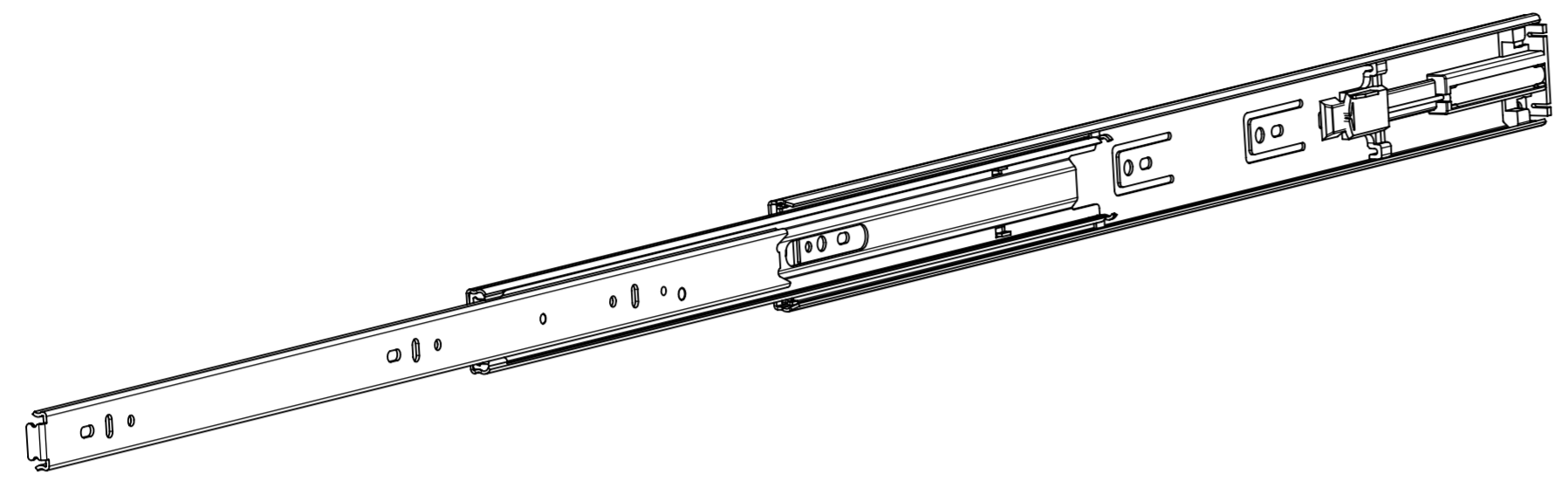
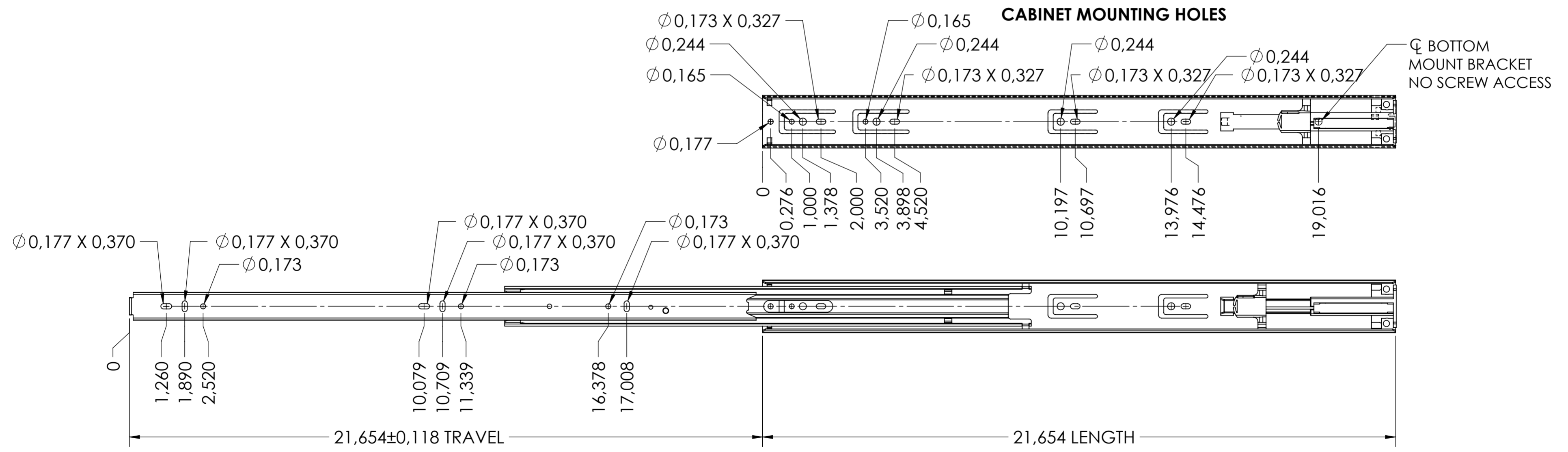
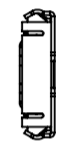
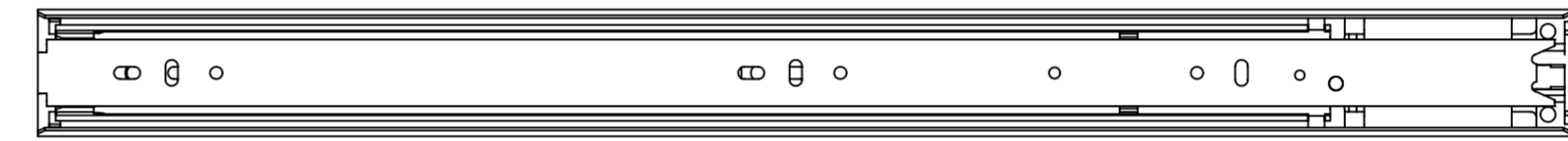


# 5001.550-GA.T001

X



SCALE 1:1



**ECD SPRING FORCE: 19N ± 2N PER SLIDE**

RECOMMENDED HARDWARE:  
 CABINET- 3.5MM SPAX M4 BUTTON HEAD OR #8 TRUSS HEAD SCREW  
 DRAWER- 3.5MM SPAX M4 BUTTON HEAD OR #8 TRUSS HEAD SCREW

general tolerances		missing dimensions see 3D = theor. intersection	
ISO 2768-m			
This drawing remains our property and may not be multiplied neither be disclosed to third parties (§§1,3 and 5 from the copyright Act (UrhG)) covered according to DIN ISO 16016			
(k)	scale:	3:8	surface:
(l)	date:	29-10-2018	name:
(m)	drawn:	HB	description:
(n)	proven:	00-00-0000	00
(o)	<b>Fulterer</b>		SIDE MOUNT FULL EXTENSION DRAWER SLIDE WITH SOFT-CLOSE & DRAWER DISCONNECT
(p)			
(q)	Fulterer AG & Co KG		drawing number:
(r)	A-6890 Lustenau / Austria		
(s)	Fulterer AG		<b>5001.550-GA.T001</b>
(t)	CH-9430 St. Margrethen		
(u)	changes	date	replaces version date:
(v)			