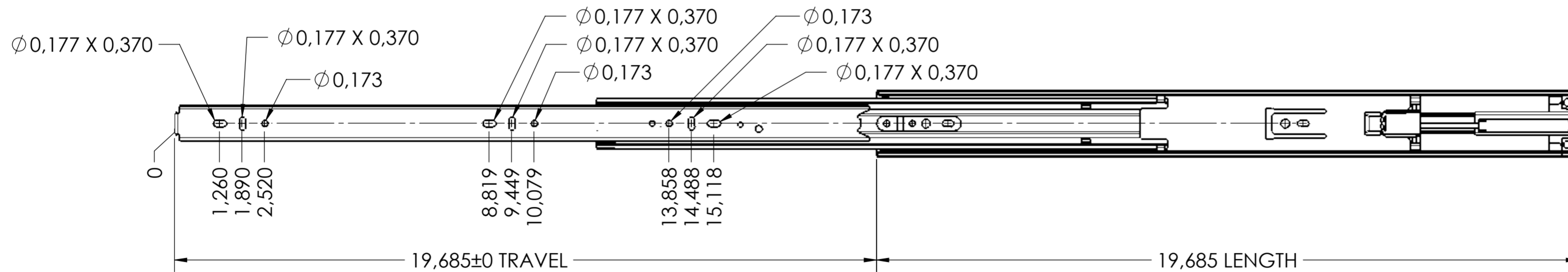
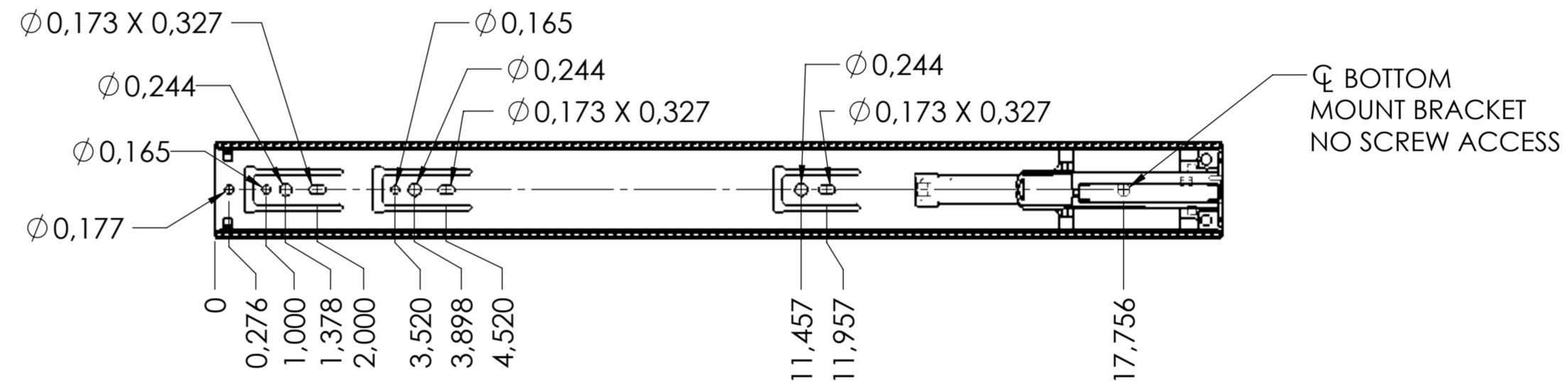


SCALE 1:1



CABINET MOUNTING HOLES



ECD SPRING FORCE: 19N ± 2N PER SLIDE

RECOMMENDED HARDWARE:

CABINET- 3.5MM SPAX M4 BUTTON HEAD OR #8 TRUSS HEAD SCREW

DRAWER- 3.5MM SPAX M4 BUTTON HEAD OR #8 TRUSS HEAD SCREW

general tolerances		DIN ISO 128-30 missing dimensions see 3D = theor. intersection	
ISO 2768-m			
This drawing remains our property and may not be multiplied neither be disclosed to third parties (§§1,3 and 5 from the copyright Act (UrhG)) covered according to DIN ISO 16016			
(k)	scale:	3:8	surface:
(l)	date	16-05-2019	name
(m)	drawn	HB	
(n)	proven	00-00-0000	00
(o)			material, semi finished parts:
(p)			STAINLESS STEEL
(q)			(technical requirements Fulterer)
(r)			description:
(s)			SIDE MOUNT FULL EXTENSION
(t)			DRAWER SLIDE WITH SOFT
(u)			CLOSE & DRAWER DISCONNECT
(v)			drawing number:
(w)			5001.500-GA.T049
(x)			replaces version date:
(y)	changes	date	na.
(z)	0	00-00-0000	0