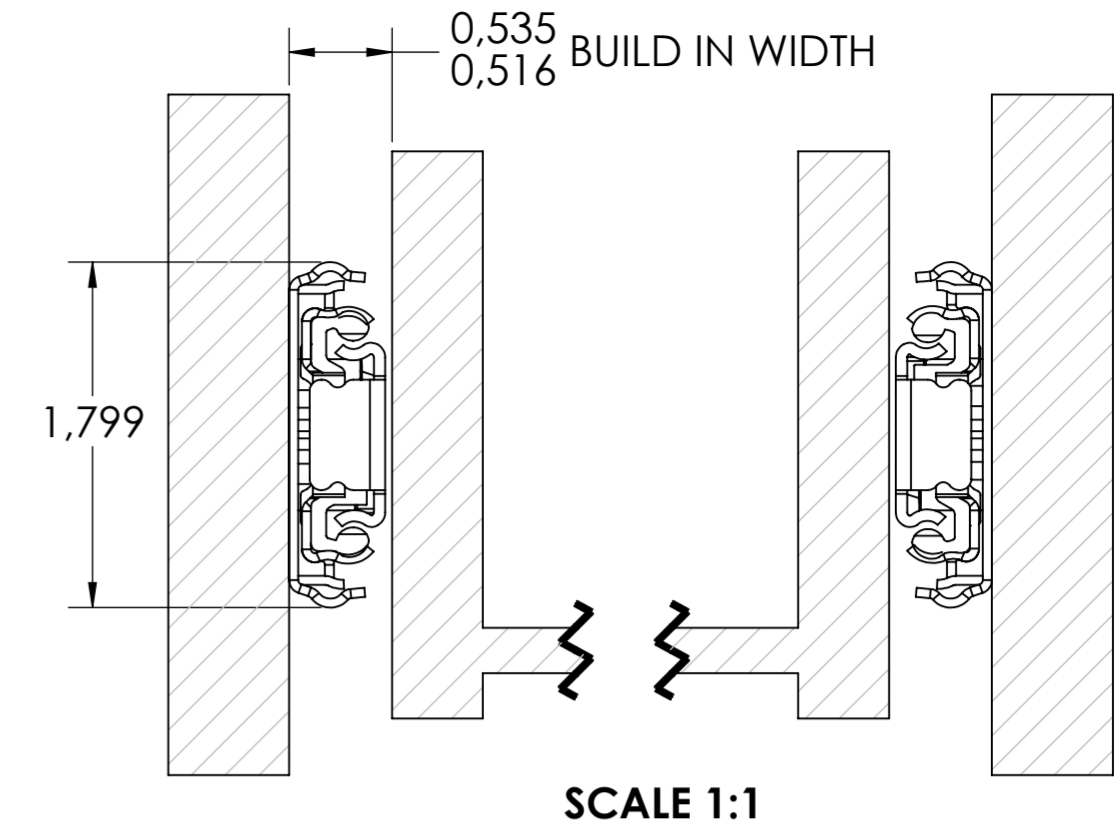
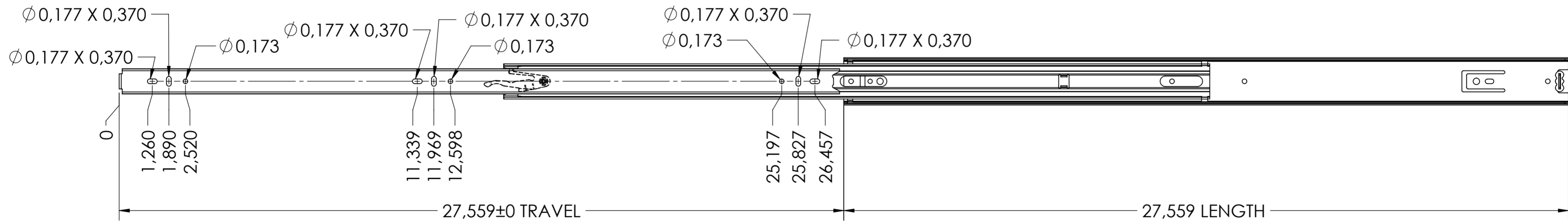
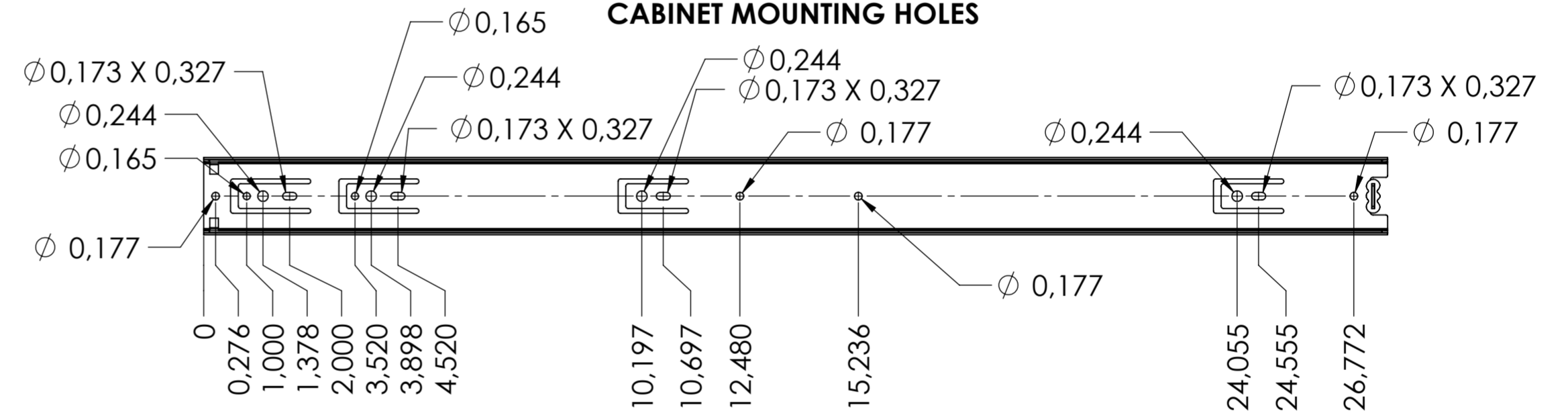


5002.700-GA.T015

X



CABINET MOUNTING HOLES



RECOMMENDED HARDWARE:

CABINET- SPAX 3.5mm M4 BUTTON HEAD OR #8 TRUSS HEAD SCREW

DRAWER- SPAX 3.5mm M4 BUTTON HEAD OR #8 TRUSS HEAD SCREW

general tolerances				missing dimensions see 3D = theor. intersection	
ISO 2768-m					
This drawing remains our property and may not be multiplied neither be disclosed to third parties (§§1,3 and 5 from the copyright Act (UrhG)) covered according to DIN ISO 16016					
(k)		scale:	1:31:3	surface:	material, semi finished parts: 304 STAINLESS STEEL (technical requirements Fulterer)
(l)		date		name	
(m)		drawn	12-10-2018	HB	description: STAINLESS STEEL SIDE MOUNT STAINLESS STEEL SIDE MOUNT FULL EXTENSION DRAWER SLIDE WITH DRAWER RELEASE
(n)		proven	00-00-0000	00	
(o)					
(p)					
(q)		Fulterer AG & Co KG			
(r)		A-6890 Lustenau / Austria			
(s)		Fulterer AG			
(t)		CH-9430 St. Margrethen			
(u)	0	00-00-0000	0	drawing number: 5002.700-GA.T015	
(v)				replaces version date:	
(w)	ind.	changes	date	na.	