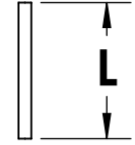
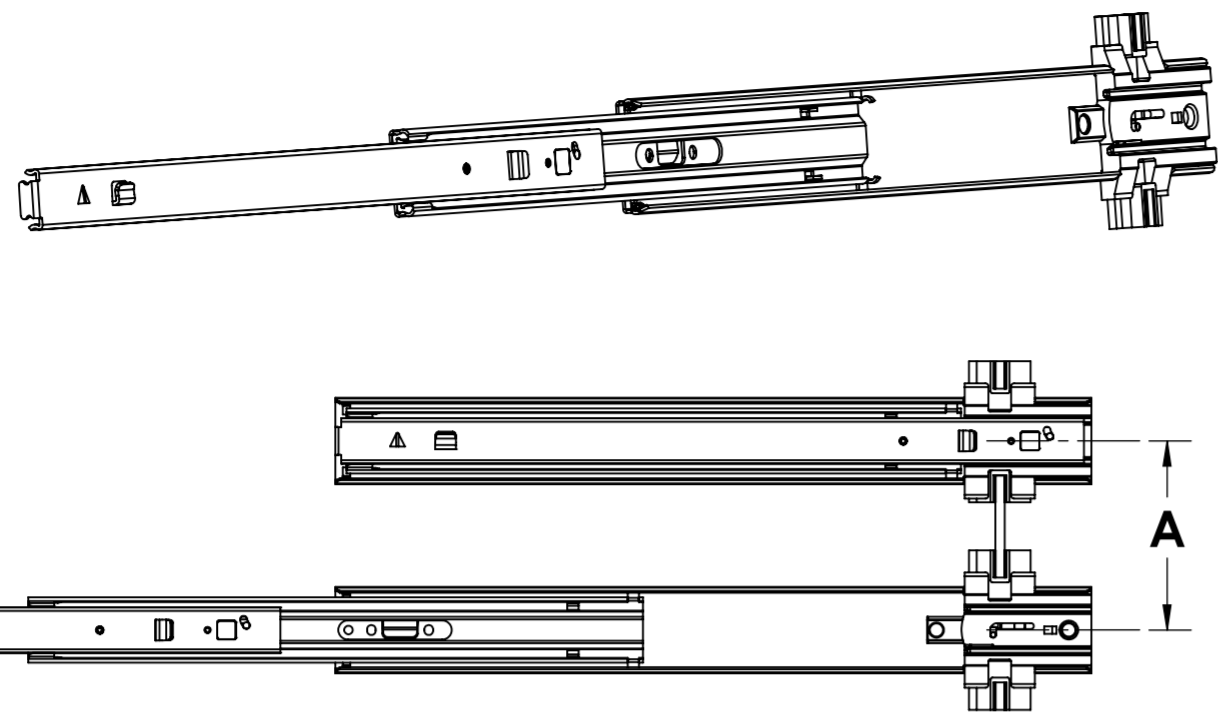
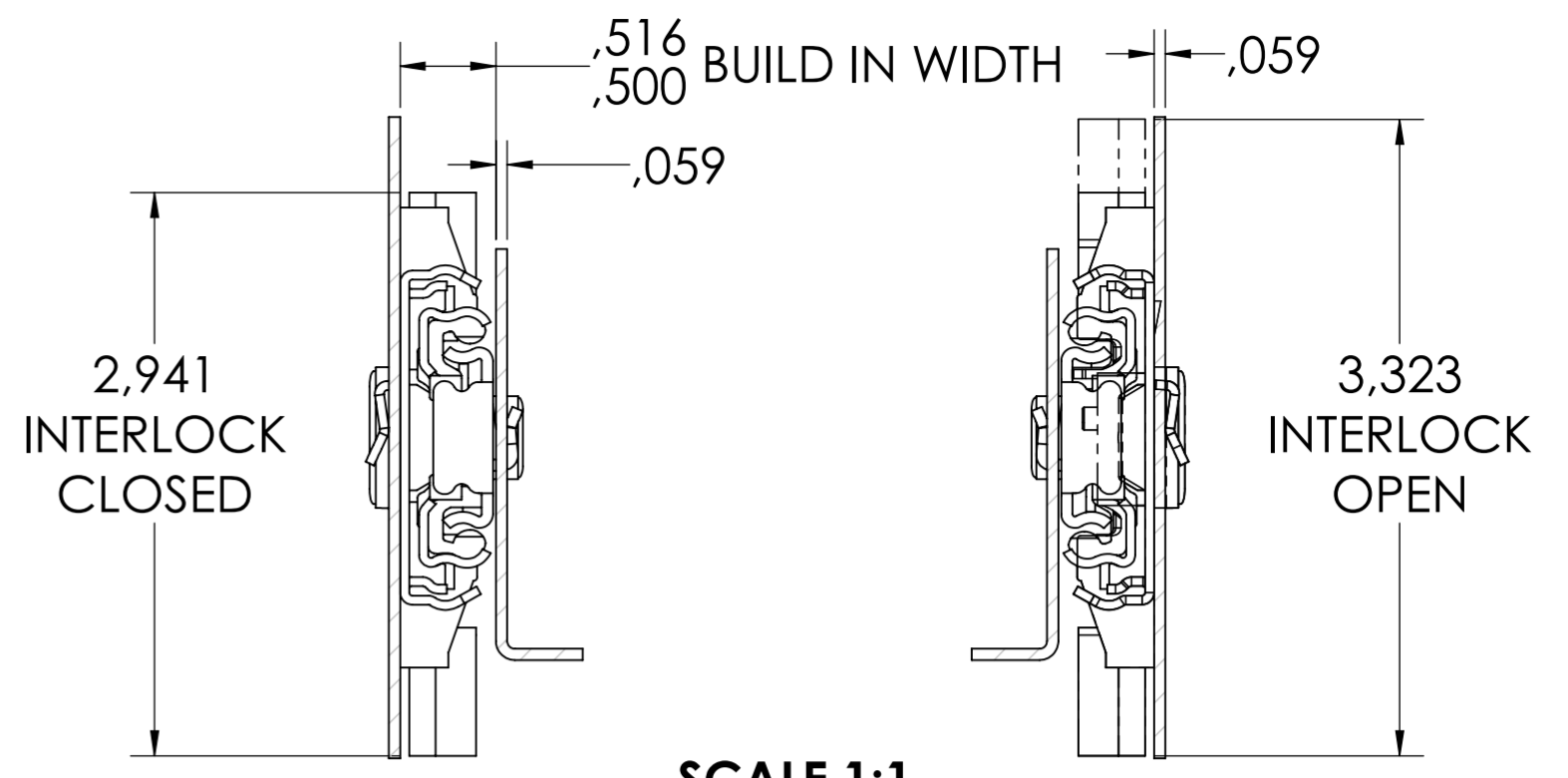


# 5019.400-GA.T120

X



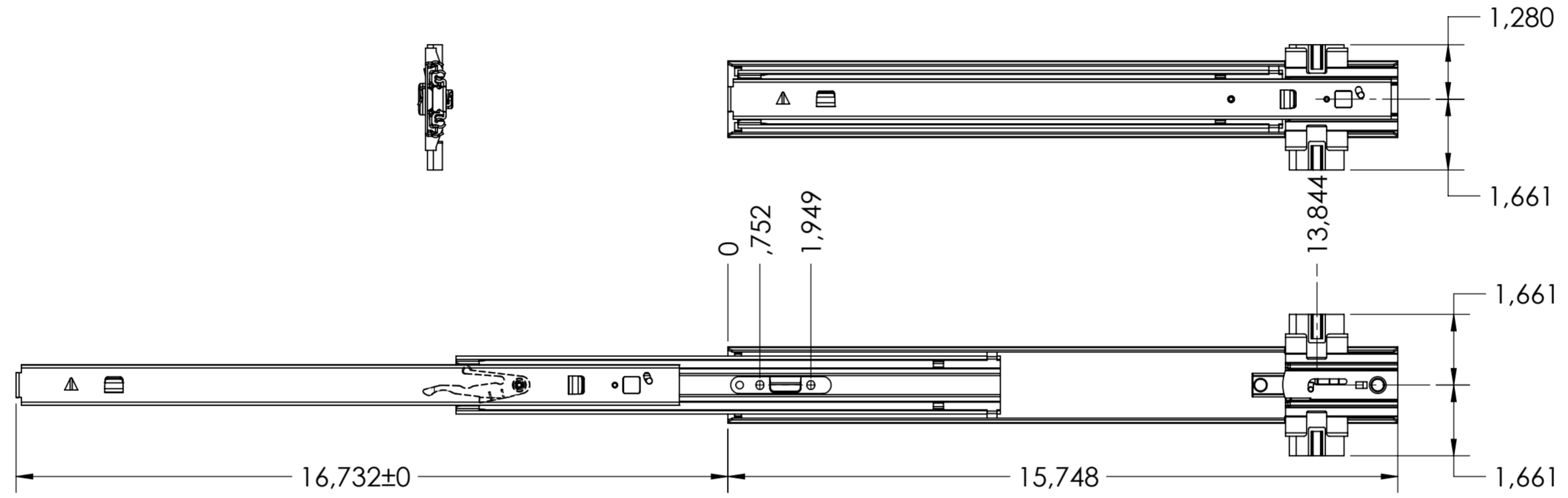
**ROD LENGTH  $L^{+0}_{-0.5} = A-46$**   
 $\varnothing 5\text{mm}$  ROD  
**FULTERER PART NUMBER 400246**



SCALE 1:4  
 NOTE: 400MM LENGTH SHOWN

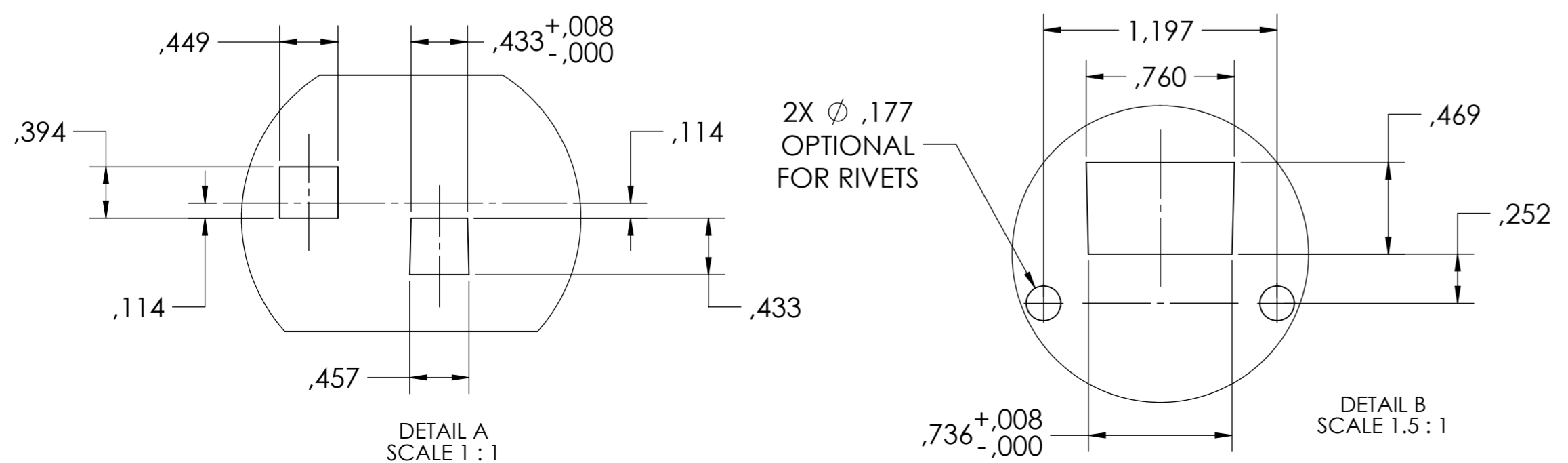
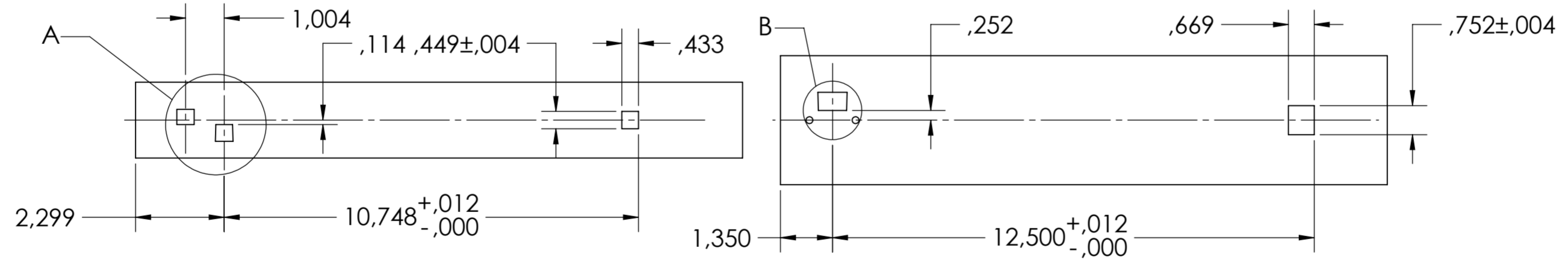
RECOMMENDED MIN. DISTANCE "A" = 90mm

SCALE 1:1



**DRAWER MOUNTING CUTOUTS**

**CABINET MOUNTING CUTOUTS**



general tolerances		DIN ISO 128-30 missing dimensions see 3D = theor. intersection	
ISO 2768-m			
This drawing remains our property and may not be multiplied neither be disclosed to third parties (§§1,3 and 5 from the copyright Act (UrhG)) covered according to DIN ISO 16016			
(k)	scale:	1:3	surface:
(l)	date:	05-06-2019	name:
(m)	drawn:	HB	00
(n)	proven:	00-00-0000	00
(o)	<b>Fulterer</b>		material, semi finished parts:
(p)	Fulterer AG & Co KG		STEEL
(q)	A-6890 Lustenau / Austria		(technical requirements Fulterer)
(r)	Fulterer AG		description:
(s)	CH-9430 St. Margrethen		SIDE MOUNT OVER EXTENSION SMT (1.5) INTERLOCKING SLIDE WITH DRAWER DISCONNECT
(t)	drawing number:		
(u)	5019.400-GA.T120		
(v)	replaces version date:		
(w)	ind.	changes	date
(x)	na.	00-00-0000	0