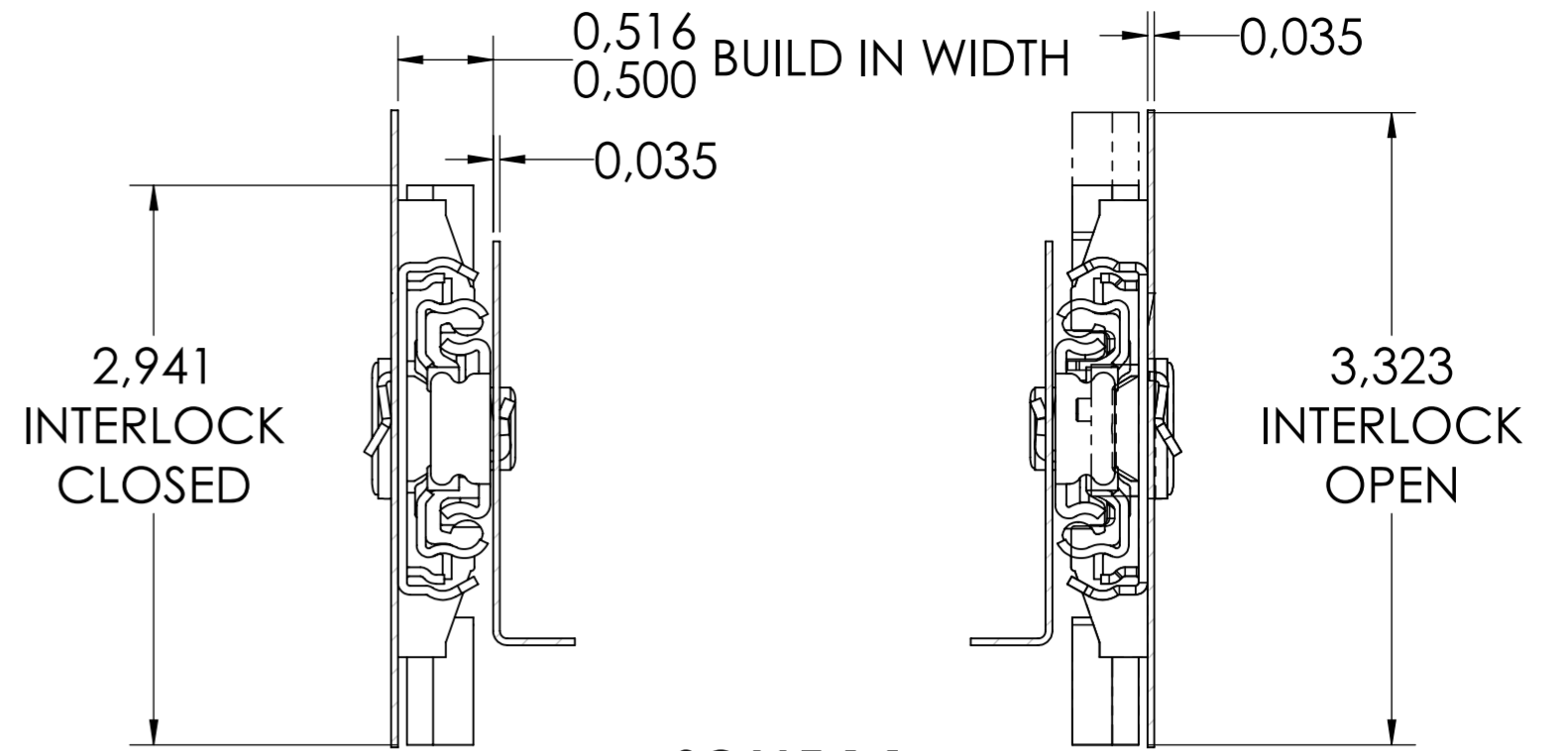


ROD LENGTH $L^{+0}_{-0.5} = A-46$
 $\varnothing 5\text{mm}$ ROD
FULTERER PART NUMBER 400246



2,941
INTERLOCK
CLOSED

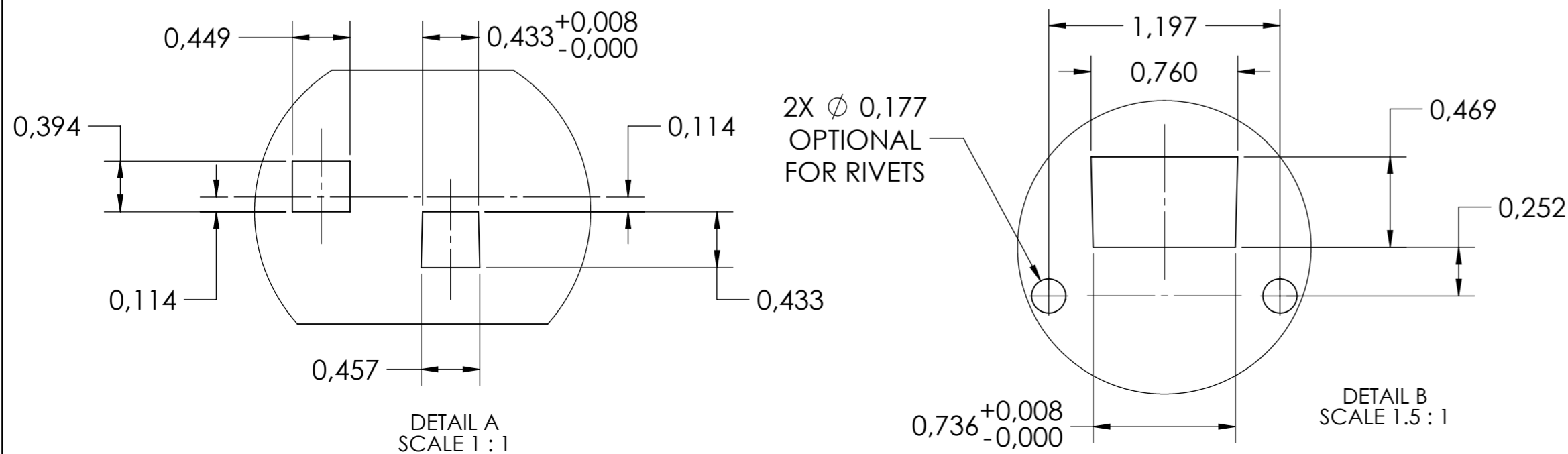
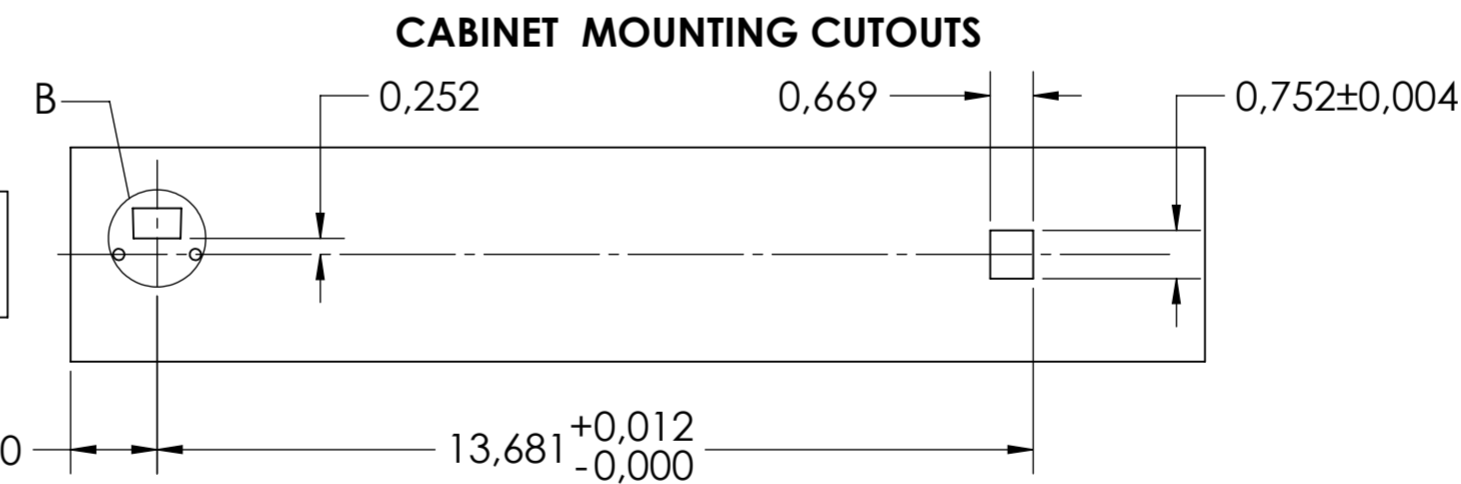
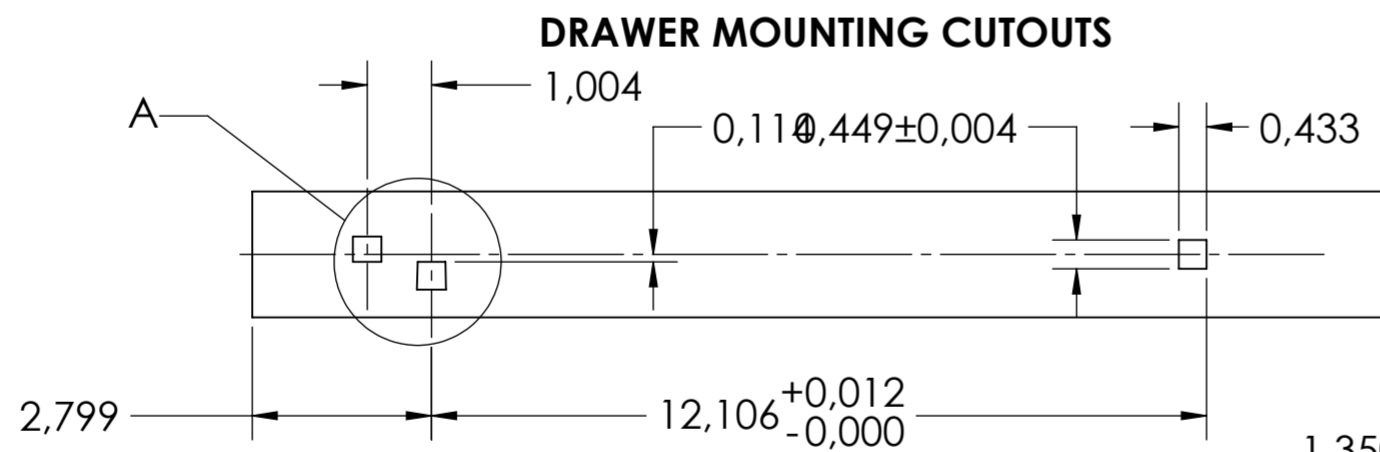
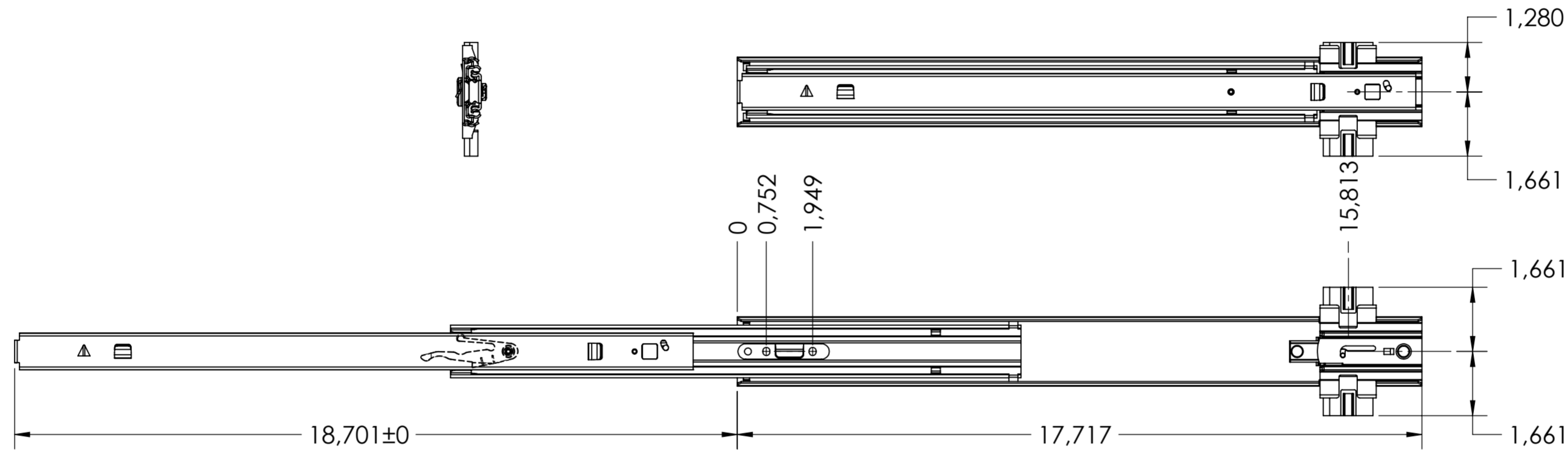
3,323
INTERLOCK
OPEN

0,516 BUILD IN WIDTH
0,500
0,035

SCALE 1:1

SCALE 1:4
NOTE: 400MM LENGTH SHOWN

RECOMMENDED MIN. DISTANCE "A" = 90mm



| | | | |
|--|--|--|--|
| general tolerances | | DIN ISO 128-30 missing dimensions see 3D = theor. intersection | |
| ISO 2768-m | | | |
| This drawing remains our property and may not be multiplied neither be disclosed to third parties (§§1,3 and 5 from the copyright Act (UrhG)) covered according to DIN ISO 16016 | | | |
| (k) | scale: | 1:3 | surface: |
| (l) | date: | 29-07-2019 | name: |
| (m) | drawn: | HB | description: |
| (n) | proven: | 00-00-0000 | 00 |
| (o) | Fulterer | | drawing number: 5019.450-GA.T119 |
| (p) | | | |
| (q) | Fulterer AG & Co KG A-6890 Lustenau / Austria | | replaces version date: |
| (r) | Fulterer AG CH-9430 St. Margrethen | | |
| (s) | ind. changes | date | na. |