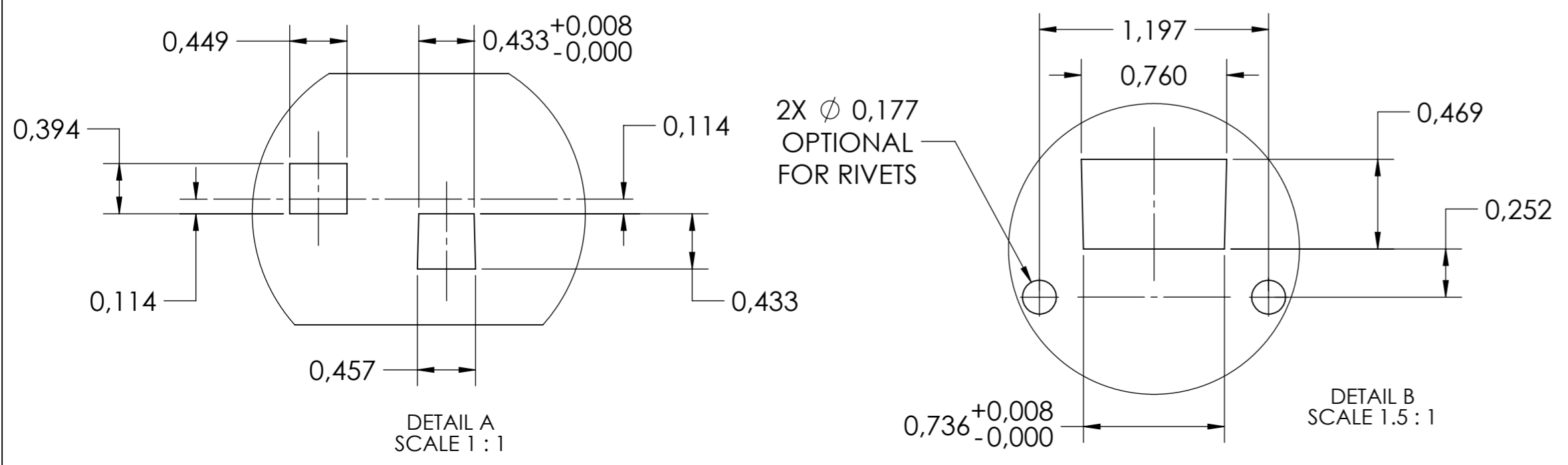
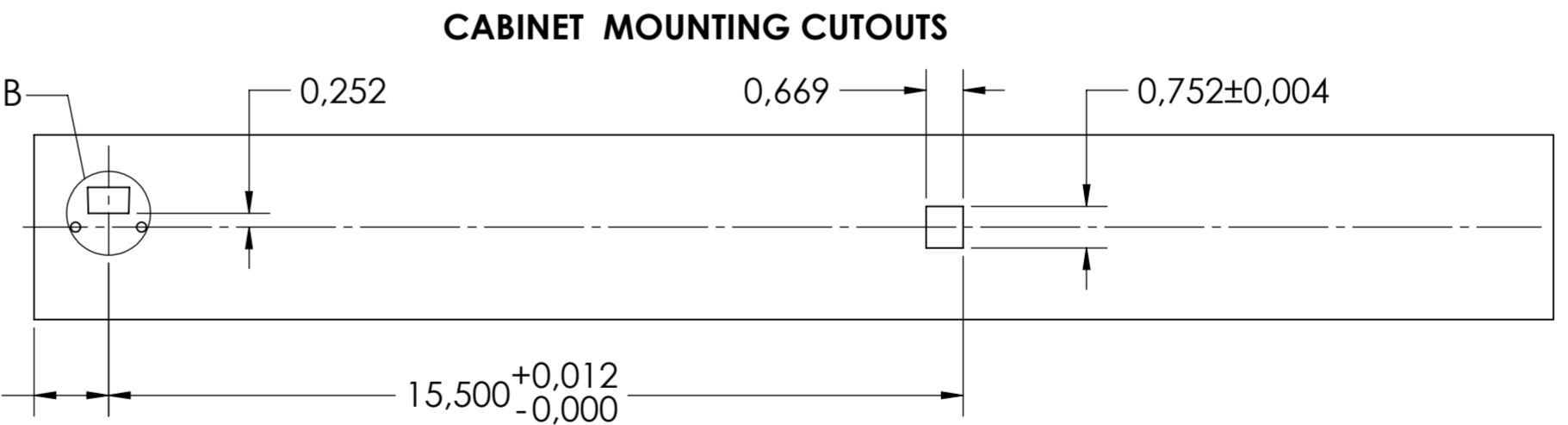
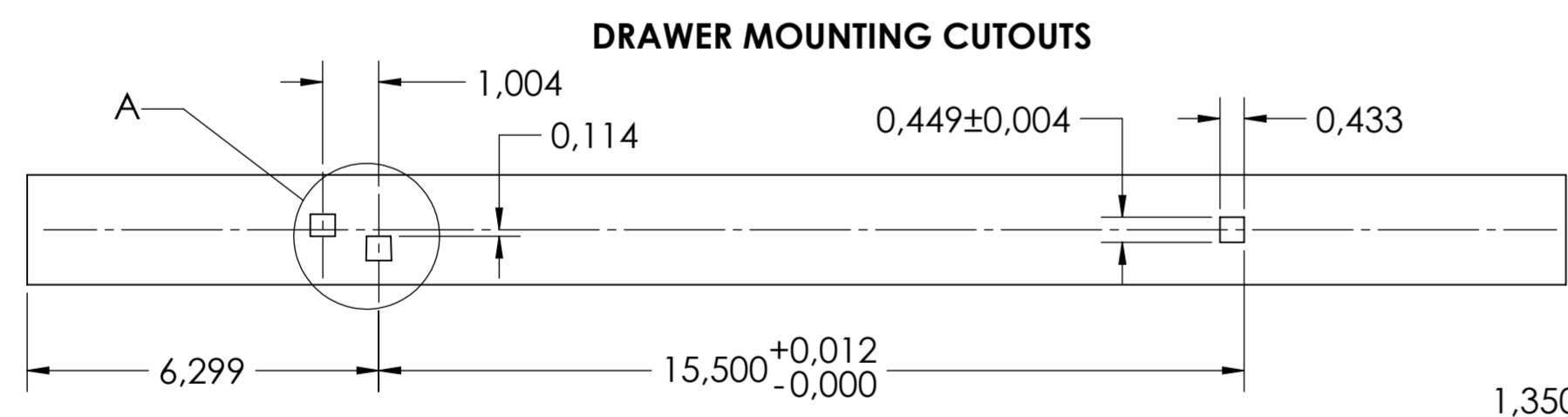
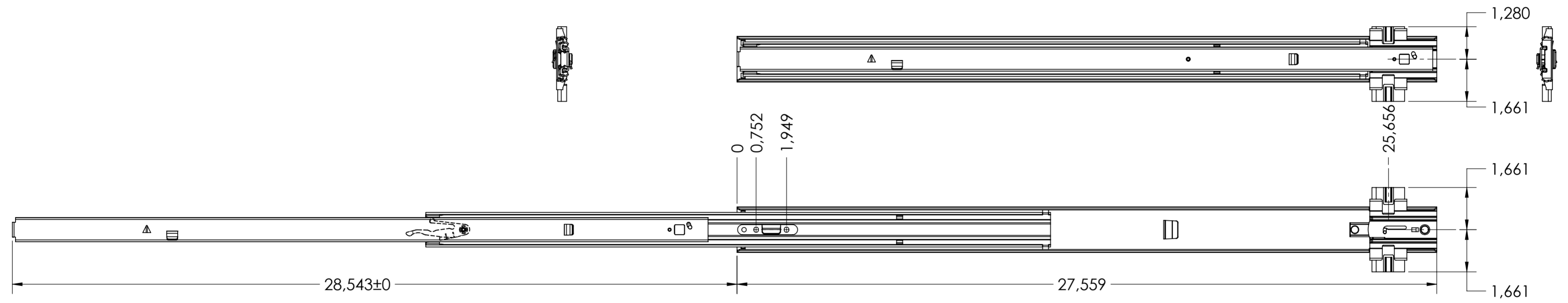


SCALE 1:4
 NOTE: 400MM LENGTH SHOWN

RECOMMENDED MIN. DISTANCE "A" = 90mm

SCALE 1:1



general tolerances		DIN ISO 128-30 missing dimensions see 3D = theor. intersection	
ISO 2768-m			
This drawing remains our property and may not be multiplied neither be disclosed to third parties (§§1,3 and 5 from the copyright Act (UrhG)) covered according to DIN ISO 16016			
(k)	scale:	1:3	surface:
(l)	date:	29-07-2019	name:
(m)	drawn:	HB	material, semi finished parts:
(n)	proven:	00-00-0000	00
(o)	Fulterer		STEEL
(p)			(technical requirements Fulterer)
(q)	description:		drawing number:
(r)	SIDE MOUNT OVER EXTENSION		
(s)	SMT (0.9) INTERLOCKING SLIDE		replaces version date:
(t)	Fulterer AG & Co KG		
(u)	A-6890 Lustenau / Austria		
(v)	Fulterer AG		
(w)	CH-9430 St. Margrethen		
(x)	ind.	changes	date
(y)			na.