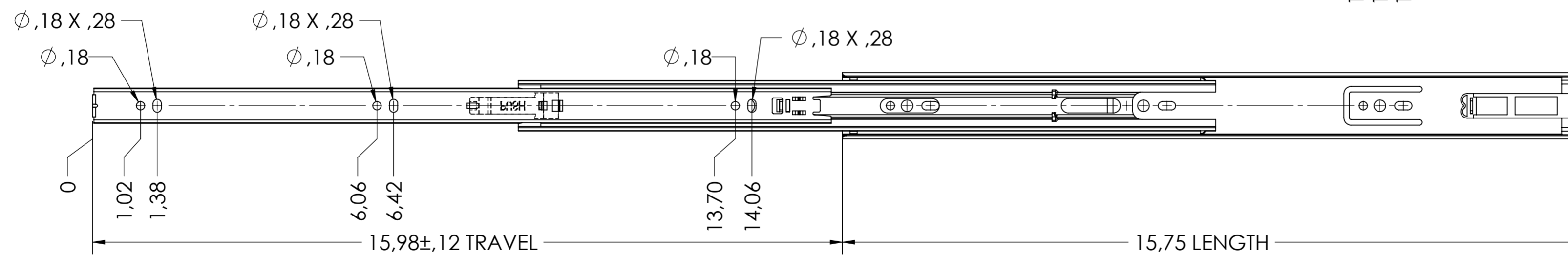
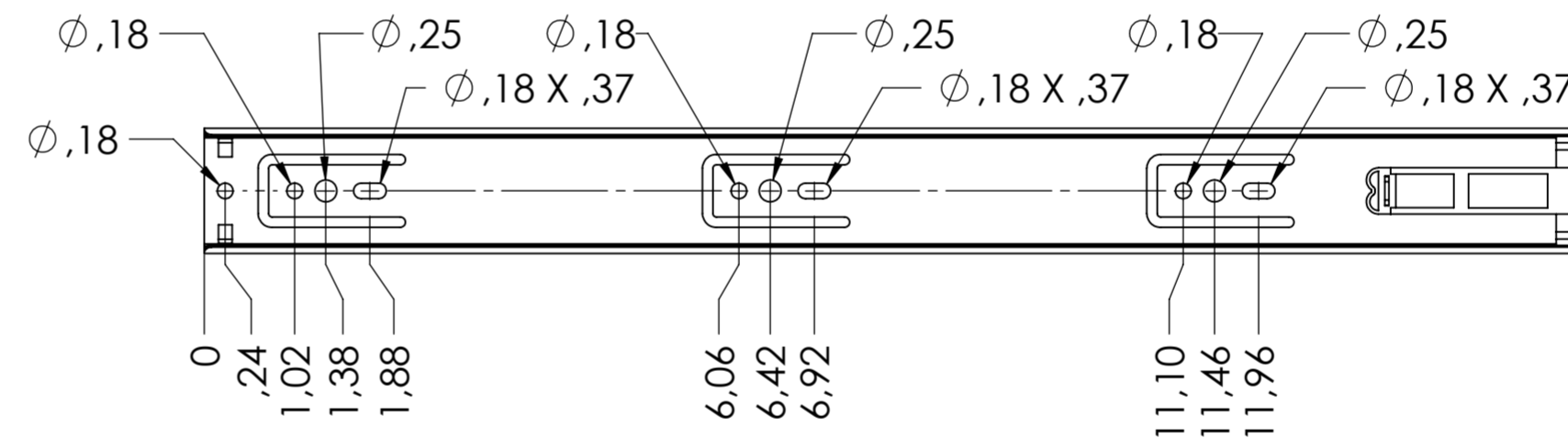


CABINET MOUNTING HOLES



RECOMMENDED HARDWARE:
 CABINET- M4 BUTTON HEAD OR #8 TRUSS HEAD SCREW
 DRAWER- M4 BUTTON HEAD OR #8 TRUSS HEAD SCREW

general tolerances				missing dimensions see 3D	
ISO 2768-m				= theor. intersection	
This drawing remains our property and may not be multiplied neither be disclosed to third parties (§§1,3 and 5 from the copyright Act (UrhG)) covered according to DIN ISO 16016					
(k)		scale:	1:2	surface:	material, semi finished parts: STEEL (technical requirements Fulterer)
(l)		date:	23-10-2018	name:	HB
(m)		drawn:	00-00-0000	proven:	00
(n)		Fulterer			description: SIDE MOUNT FULL EXTENSION SIDE MOUNT FULL EXTENSION SELF-CLOSING DRAWER SLIDE
(o)					
(p)		Fulterer AG & Co KG A-6890 Lustenau / Austria			drawing number: 5036.400-GA.T010
(q)		Fulterer AG CH-9430 St. Margrethen			
(r)	0	00-00-0000	0		replaces version date:
(s)	ind.	changes	date	na.	