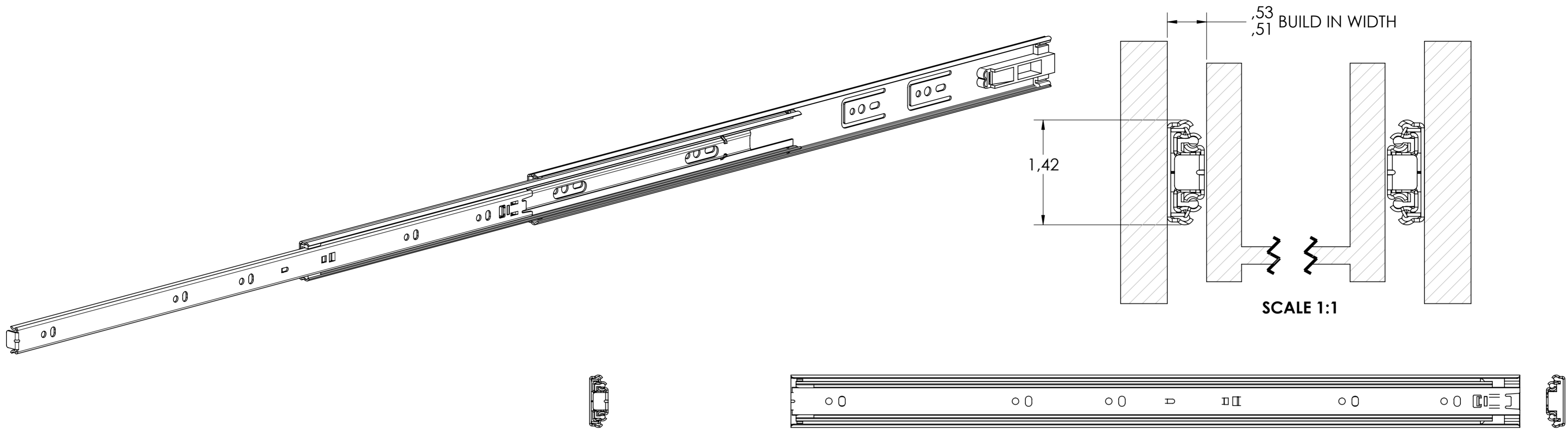
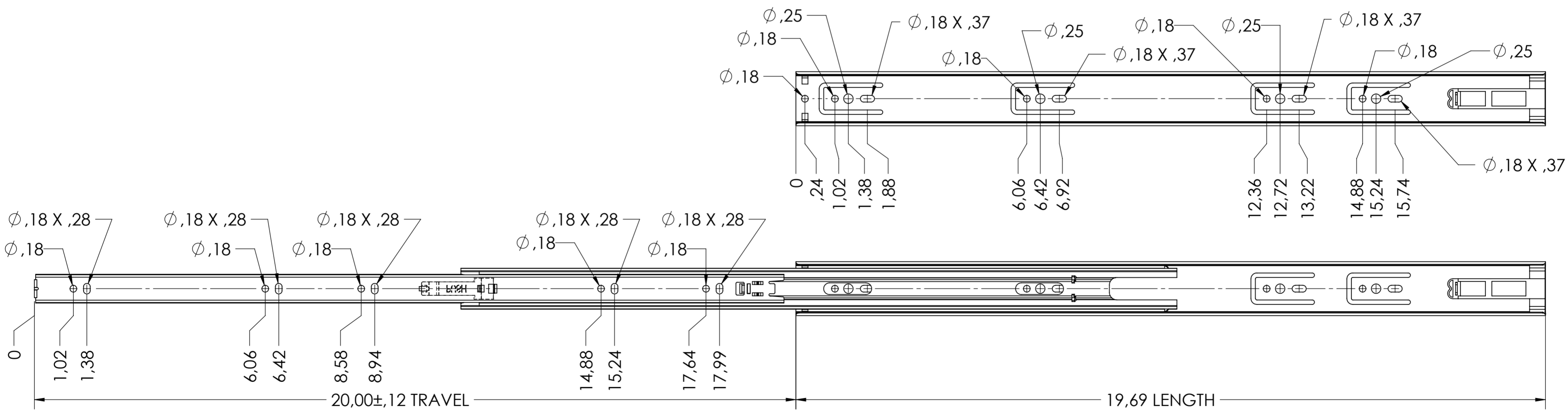


5036.500-GA.T010

X



CABINET MOUNTING HOLES



RECOMMENDED HARDWARE:
 CABINET- M4 BUTTON HEAD OR #8 TRUSS HEAD SCREW
 DRAWER- M4 BUTTON HEAD OR #8 TRUSS HEAD SCREW

general tolerances		missing dimensions see 3D	
ISO 2768-m		= theor. intersection	
This drawing remains our property and may not be multiplied neither be disclosed to third parties (§§1,3 and 5 from the copyright Act (UrhG)) covered according to DIN ISO 16016			
(k)	scale:	1:2	surface:
(l)	date:	23-10-2018	name:
(m)	drawn:	HB	description:
(n)	proven:	00-00-0000	00
(o)	Fulterer		STEEL
(p)			(technical requirements Fulterer)
(q)	Fulterer AG & Co KG		drawing number:
(r)	A-6890 Lustenau / Austria		5036.500-GA.T010
(s)	Fulterer AG		replaces version date:
(t)	CH-9430 St. Margrethen		
(u)	changes	date	na.