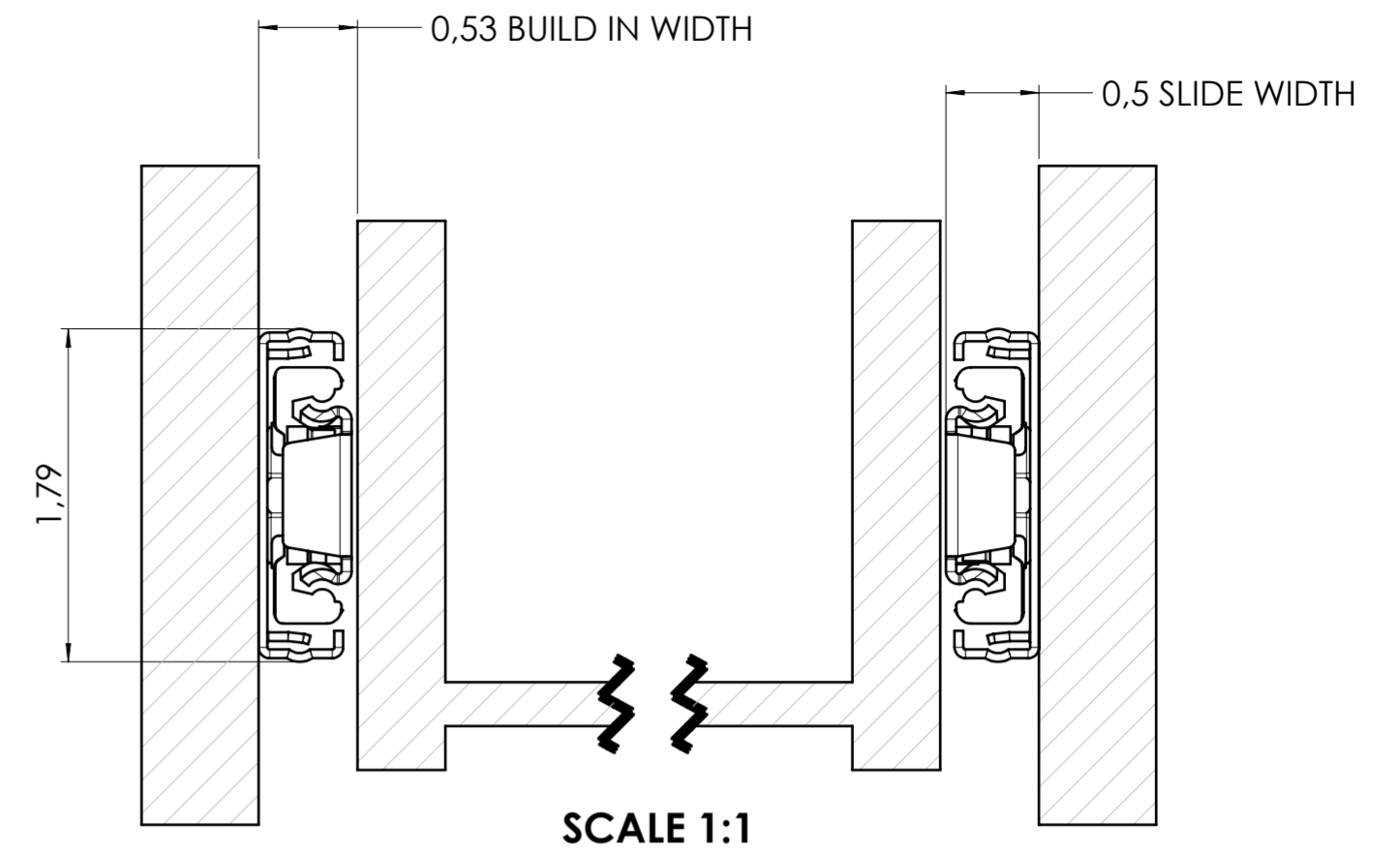
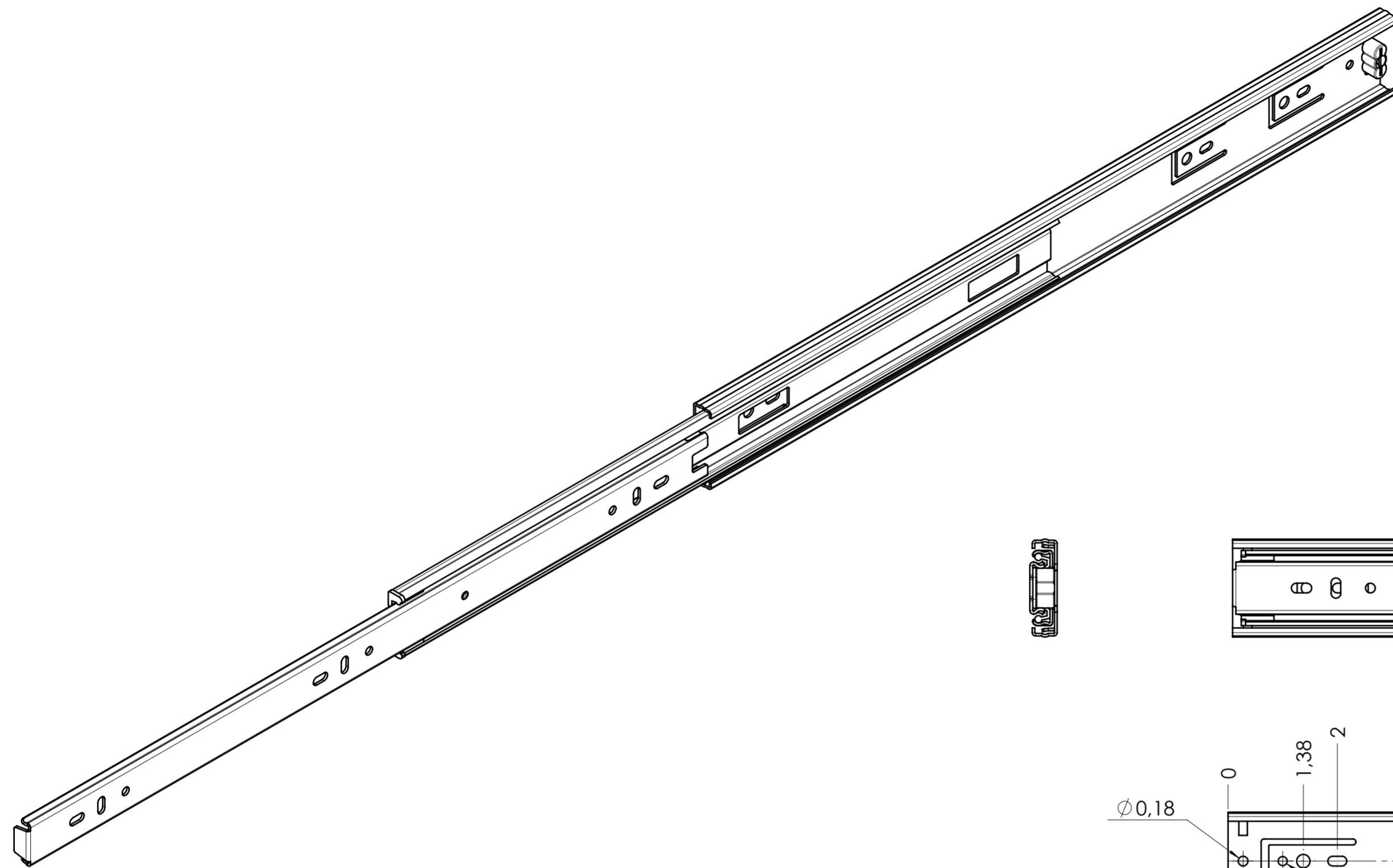
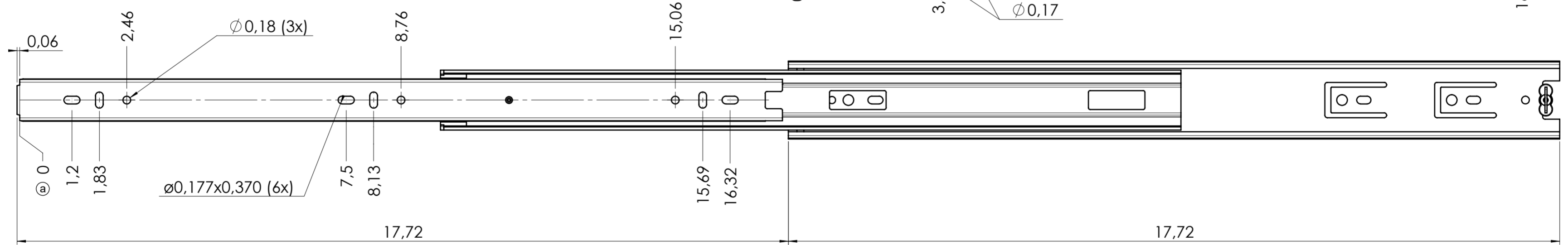
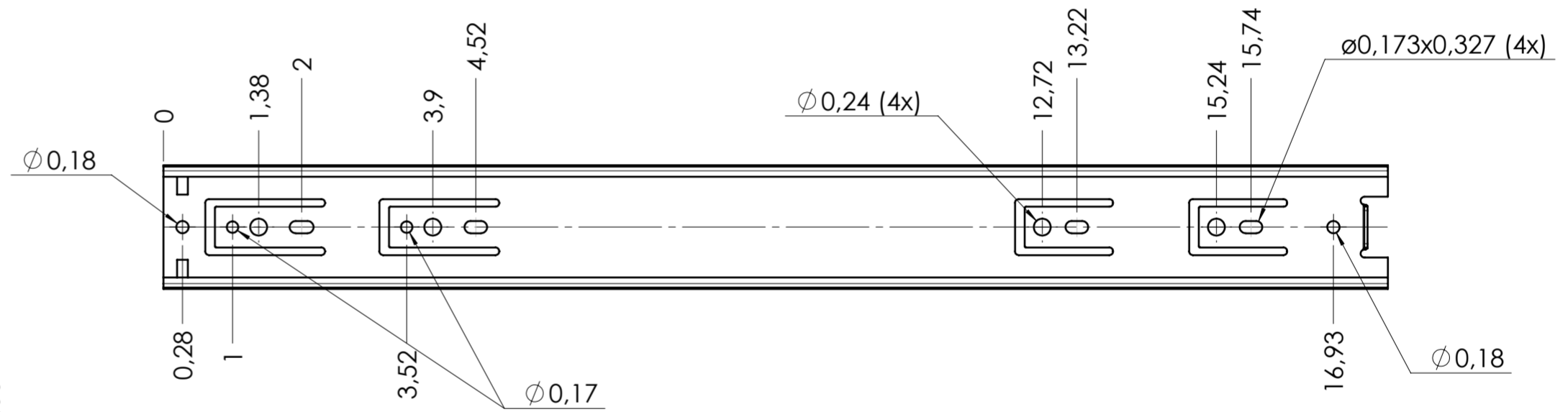


5046.450-GA.C200A

X



CABINET MOUNTING HOLES



RECOMMENDED HARDWARE:
 CABINET- 3.5mm SPAX M4 BUTTON HEAD OR #8 TRUSS HEAD SCREW
 DRAWER- 3.5mm SPAX M4 BUTTON HEAD OR #8 TRUSS HEAD SCREW

general tolerances		DIN ISO 128-30	
stamping part according Fulterer W18-001	plastic part according DIN ISO 16742 TG4	missing dimensions see 3D	
This drawing remains our property and may not be multiplied neither be disclosed to third parties (§§1,3 and 5 from the copyright Act (UrhG)) covered according to DIN ISO 16016		= theor. intersection	
(k)	scale: 1:2	surface:	material, semi finished parts: Steel (technical requirements Fulterer)
(l)	date	name	A2
(m)	drawn 12-05-2021	MW	description: SIDE MOUNT FULL EXTENSION DRAWER SLIDE WITH DRAWER DISCONNECT
(n)	proven 00-00-0000	00	
(o)	Fulterer		drawing number: 5046.450-GA.C200A
(p)	Fulterer AG & Co KG A-6890 Lustenau / Austria		
(q)	Fulterer AG CH-9430 St. Margrethen		replaces version date:
(r)	adj. dimensional reference	23-11-2022	
(s)	ind. changes	date	na.