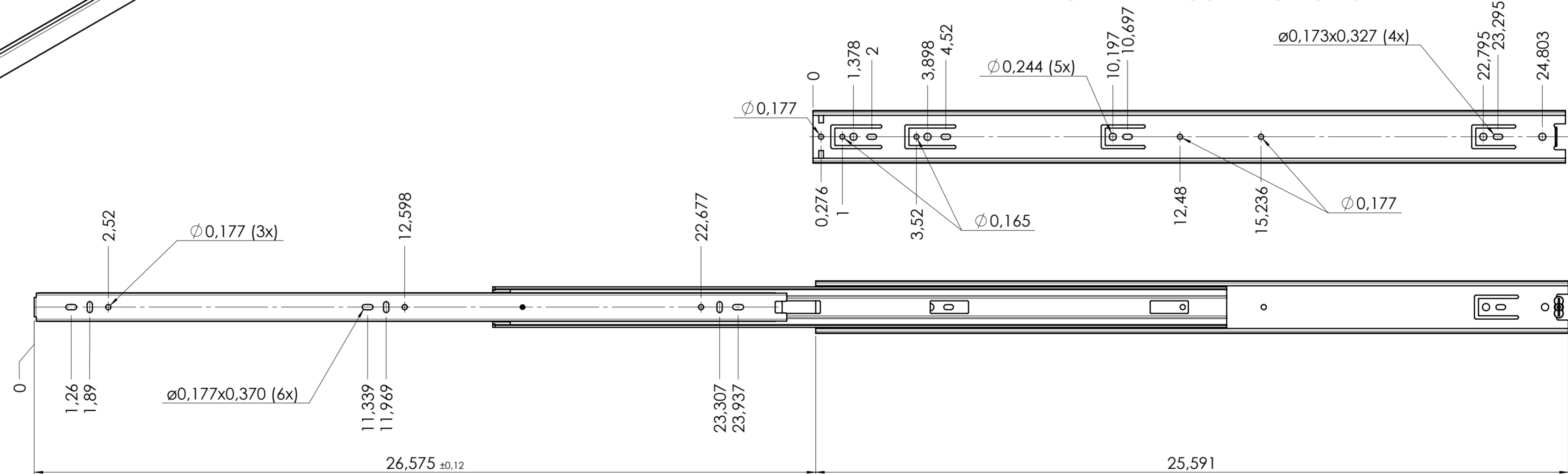


### CABINET MOUNTING HOLES



RECOMMENDED HARDWARE:  
 CABINET- 3.5mm SPAX M4 BUTTON HEAD OR #8 TRUSS HEAD SCREW  
 DRAWER- 3.5mm SPAX M4 BUTTON HEAD OR #8 TRUSS HEAD SCREW

general tolerances		DIN ISO 128-30	
stamping part according Fulterer W18-001	plastic part according DIN ISO 16742 TG4	missing dimensions see 3D = theor. intersection	
This drawing remains our property and may not be multiplied neither be disclosed to third parties (§§1,3 and 5 from the copyright Act (UrhG)) covered according to DIN ISO 16016			
(k)	scale:	1:3	surface:
(l)	date	12-04-2022	name
(m)	drawn	CS	description:
(n)	proven	00-00-0000	00
(o)	<b>Fulterer</b>		SIDE MOUNT OVER EXTENSION DRAWER SLIDE WITH DRAWER DISCONNECT
(p)			drawing number:
(q)	Fulterer AG & Co KG A-6890 Lustenau / Austria		5046.650-GA.C030A
(r)	Fulterer AG CH-9430 St. Margrethen		replaces version date:
(s)	ind.	changes	date
(t)	na.	00-00-0000	0