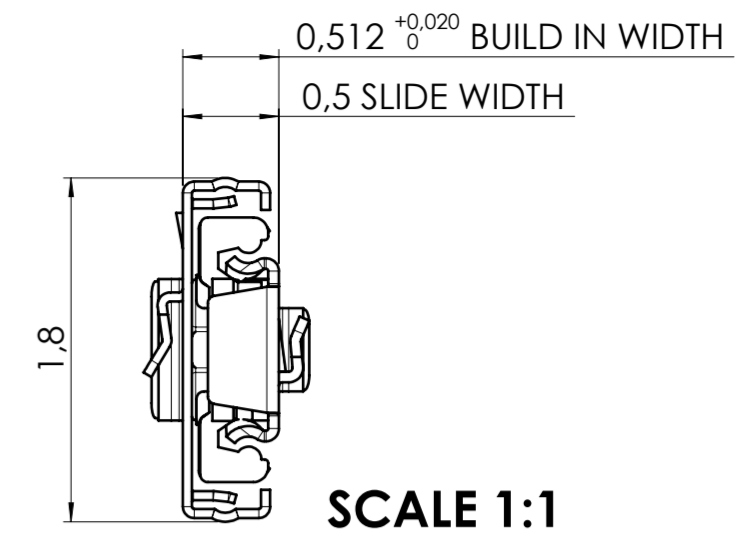
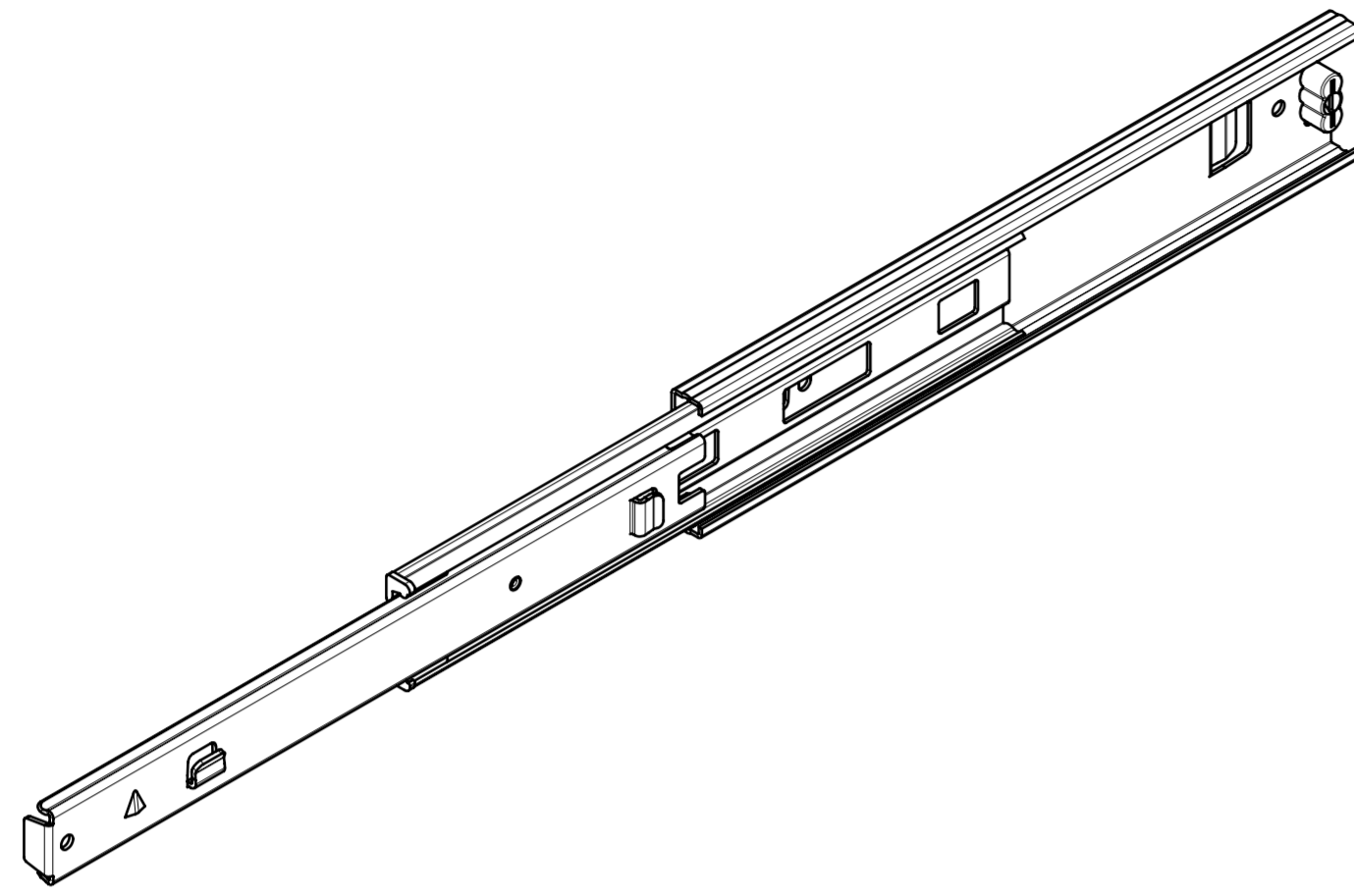
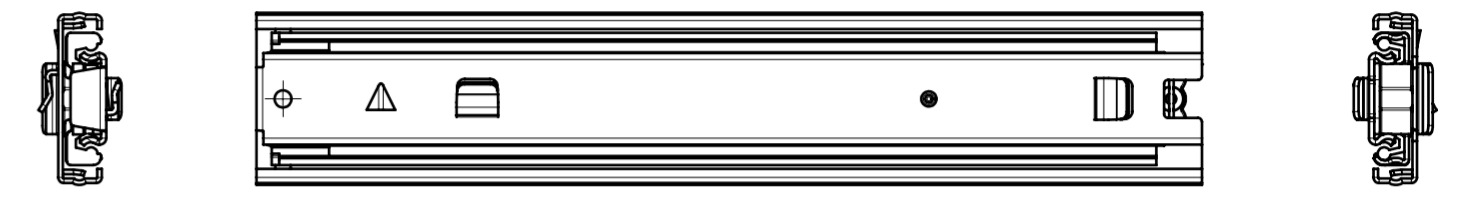


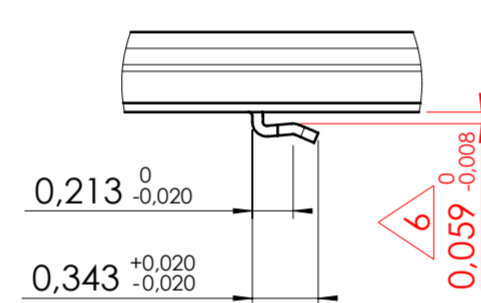
X



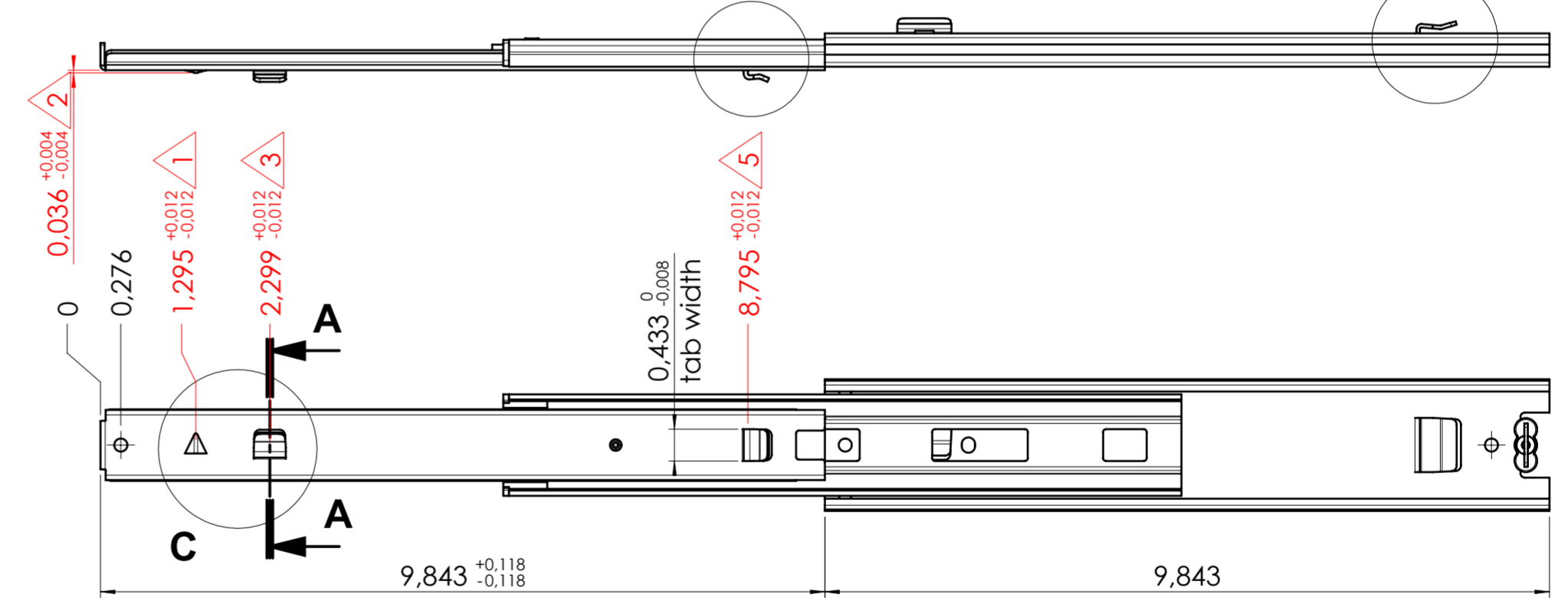
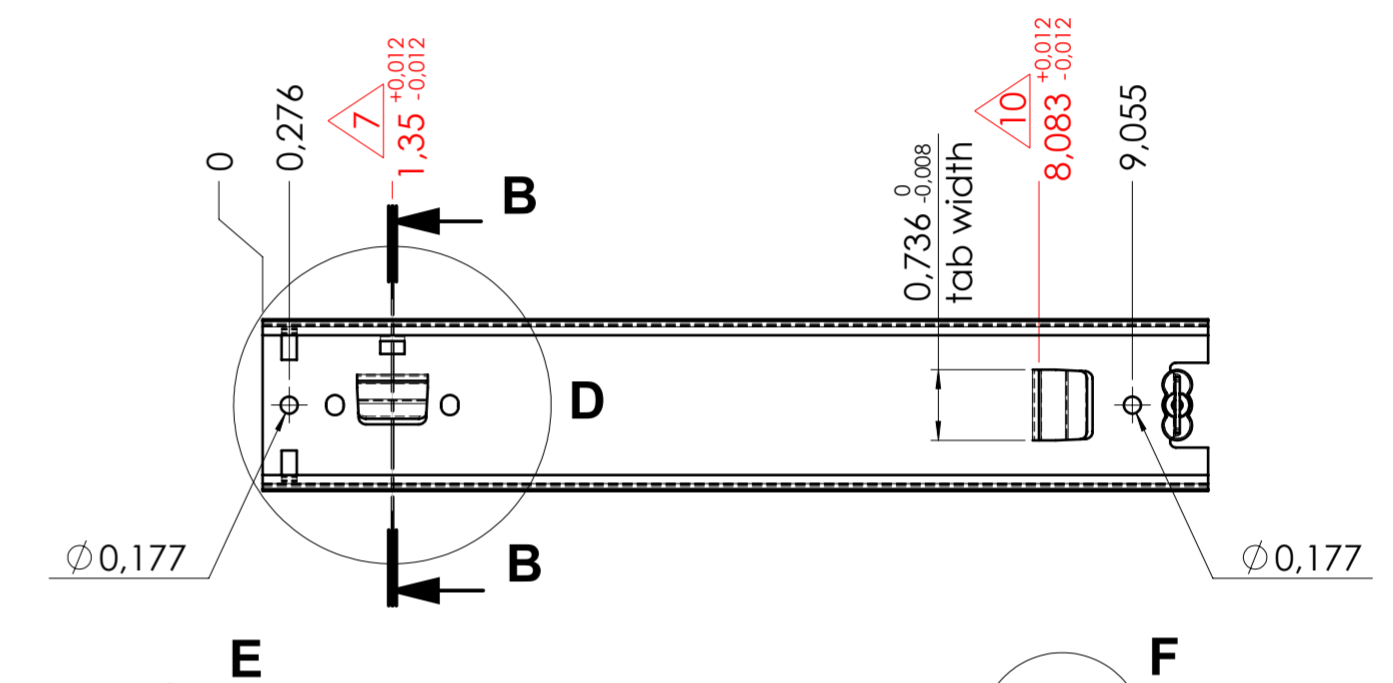
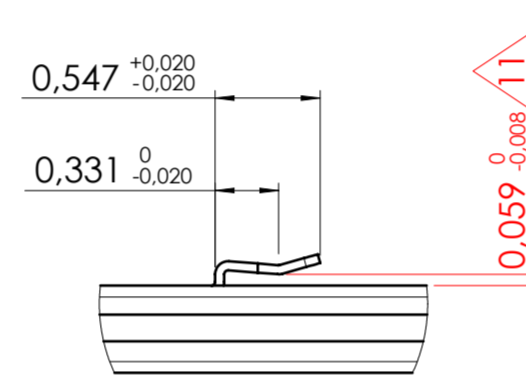
SCALE 1:1



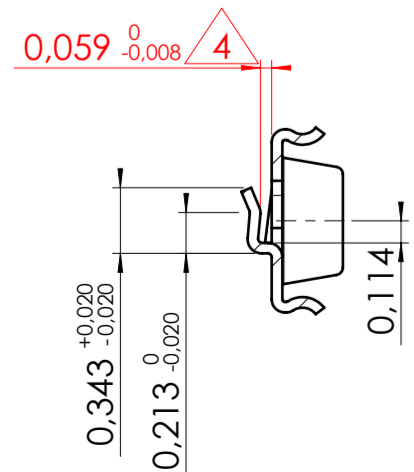
E (1 : 1)



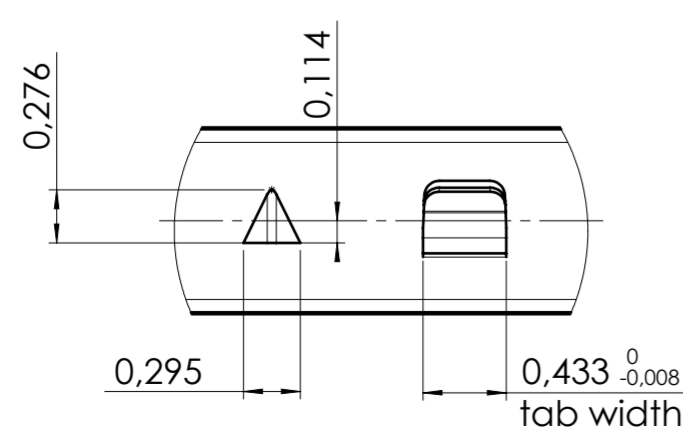
F (1 : 1)



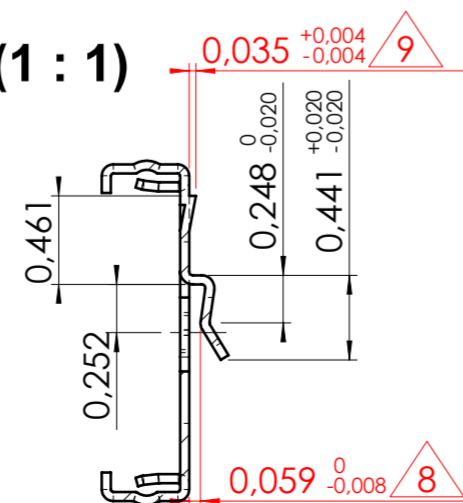
A-A (1 : 1)



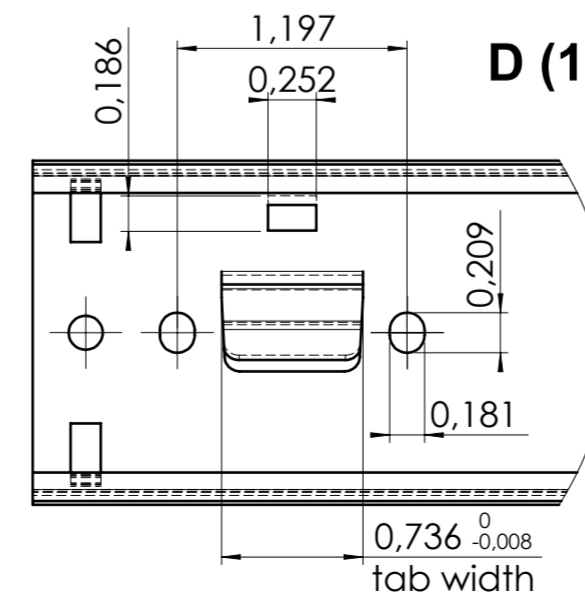
C (1 : 1)



B-B (1 : 1)



D (1 : 1)



xx = check dimension , next free check number 12

general tolerances		DIN ISO 128-30	
stamping part according Fulterer W18-001	plastic part according DIN ISO 16742 TG4	missing dimensions see 3D = theor. intersection	
This drawing remains our property and may not be multiplied neither be disclosed to third parties (§§1,3 and 5 from the copyright Act (UrhG))			
covered according to DIN ISO 16016		scale: 1:2	surface: A2
date 21-04-2022	name CS	material, semi finished parts: STEEL (technical requirements Fulterer)	
proven 00-00-0000	00	description: SIDE MOUNT FULL EXTENSION SMT (1,5) DRAWER SLIDE WITH DRAWER DISCONNECT	
Fulterer AG & Co KG A-6890 Lustenau / Austria		drawing number: 5046.250-GA.C101A	
Fulterer AG CH-9430 St. Margrethen		replaces version date:	
ind.	changes	date	na.