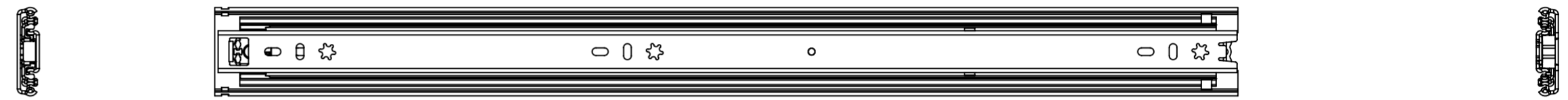
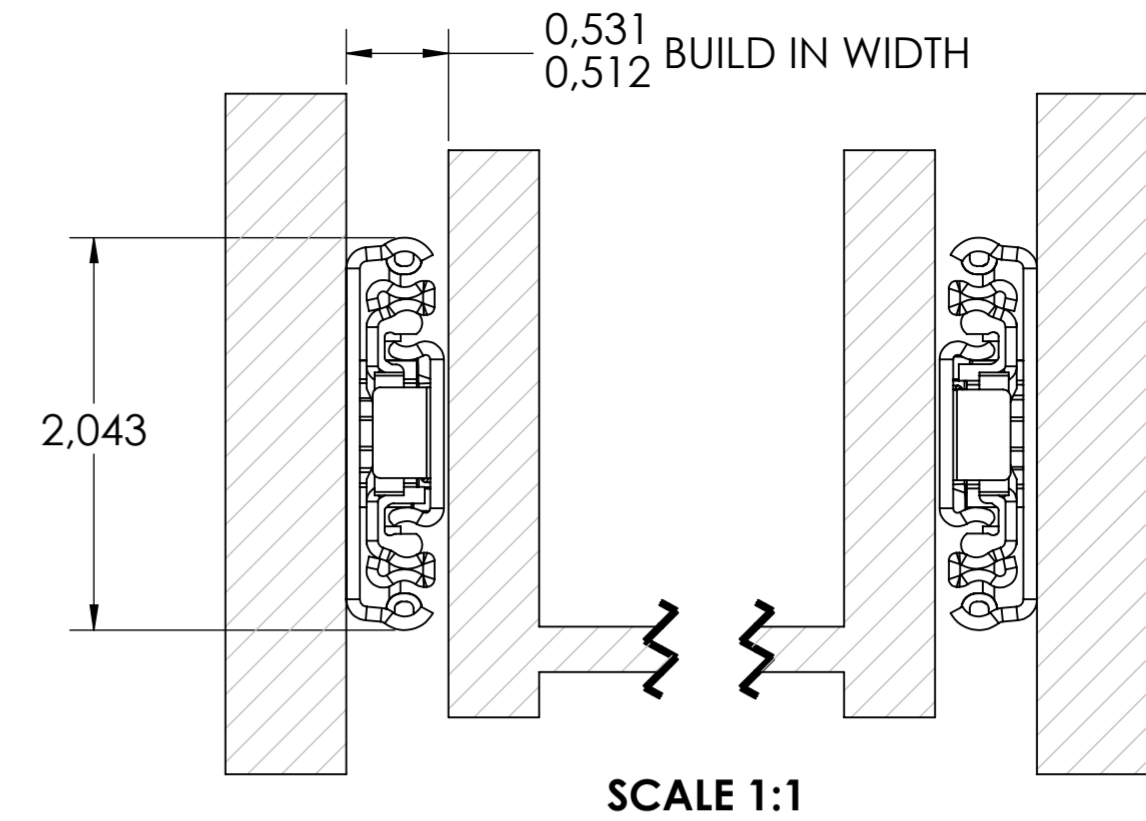
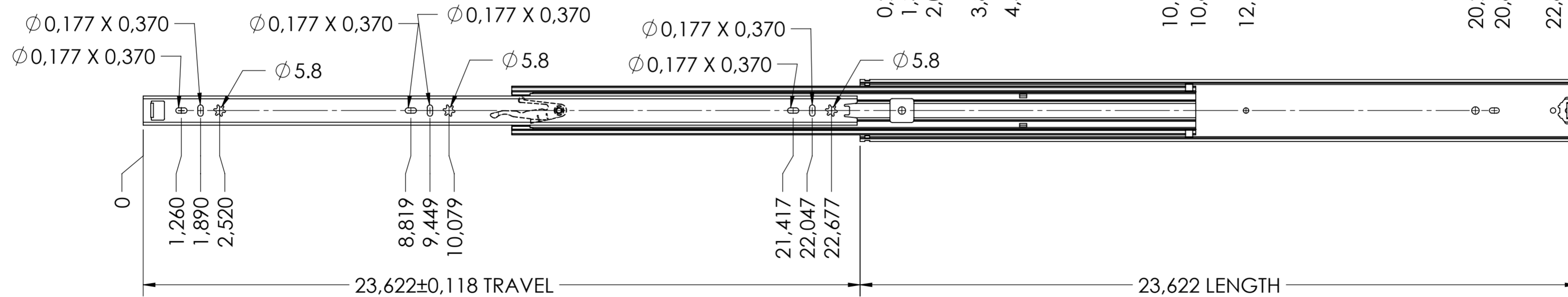
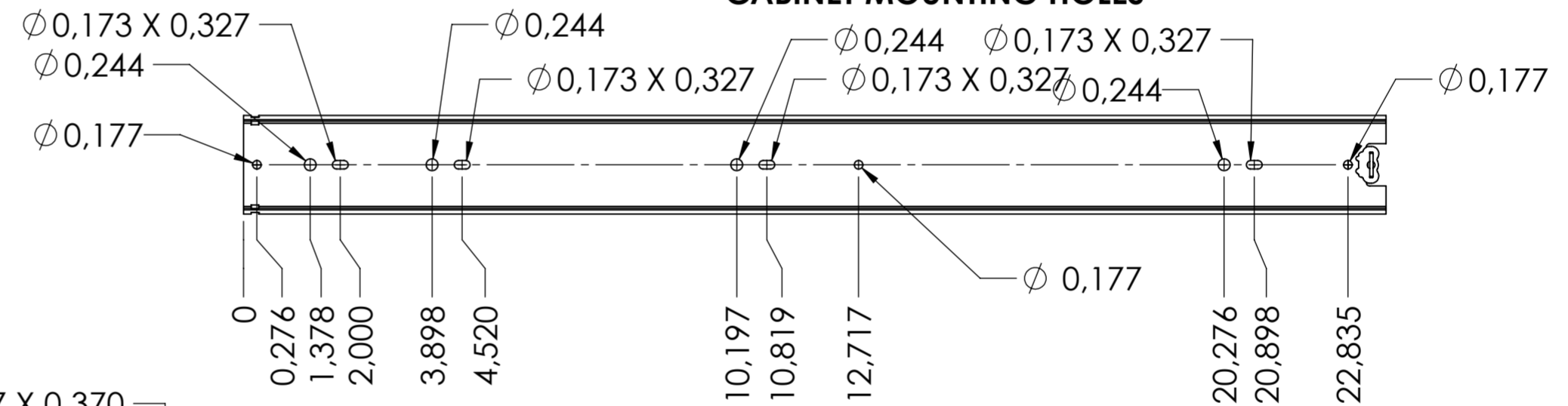


# 5052.600-GA.T005

X



### CABINET MOUNTING HOLES



RECOMMENDED HARDWARE:  
 CABINET- M4 BUTTON HEAD OR #8 TRUSS HEAD SCREW  
 DRAWER- M4 BUTTON HEAD OR #8 TRUSS HEAD SCREW

general tolerances		missing dimensions see 3D = theor. intersection	
ISO 2768-m			
This drawing remains our property and may not be multiplied neither be disclosed to third parties (§§1,3 and 5 from the copyright Act (UrhG)) covered according to DIN ISO 16016			
(k)	scale:	1:31:3	surface:
(l)	date	05-10-2018	name
(m)	drawn	HB	description:
(n)	proven	00-00-0000	00
(o)	<b>Fulterer</b>		FULL EXTENSION SIDE MOUNT
(p)			DRAWER SLIDE WITH DRAWER DISCONNECT
(q)	Fulterer AG & Co KG		drawing number:
(r)	A-6890 Lustenau / Austria		<b>5052.600-GA.T005</b>
(s)	Fulterer AG		replaces version date:
(t)	CH-9430 St. Margrethen		
(u)	0	00-00-0000	0
(v)	changes	date	na.