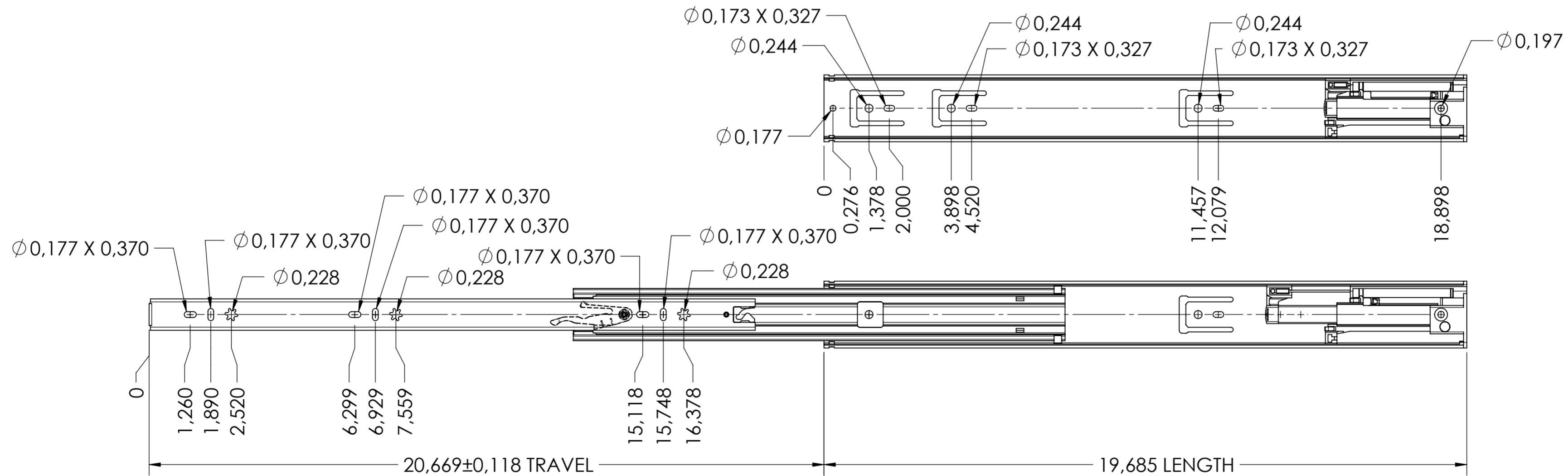


CABINET MOUNTING HOLES



RECOMMENDED HARDWARE:

CABINET- M4 BUTTON HEAD M5 FLATHEAD #8 TRUSS HEAD #10 FLAT HEAD SCREW

DRAWER- M4 BUTTON HEAD M5 FLATHEAD #8 TRUSS HEAD #10 FLAT HEAD SCREW

general tolerances		DIN ISO 128-30 missing dimensions see 3D = theor. intersection	
ISO 2768-m			
This drawing remains our property and may not be multiplied neither be disclosed to third parties (§§1,3 and 5 from the copyright Act (UrhG)) covered according to DIN ISO 16016			
(k)	(l)	scale:	surface:
		3:8	
(i)	(h)	date	name
(g)	(f)	drawn 14-02-2019	HB
(e)	(d)	proven 00-00-0000	00
(c)	(b)		
(a)	0		
ind.	changes	date	na.
		Fulterer AG & Co KG A-6890 Lustenau / Austria Fulterer AG CH-9430 St. Margrethen	
		material, semi finished parts: STEEL (technical requirements Fulterer) description: SIDE MOUNT OVER EXTENSION DRAWER SLIDE WITH SOFT CLOSE & DRAWER DISCONNECT drawing number: 5210.500-GA.T031 replaces version date:	