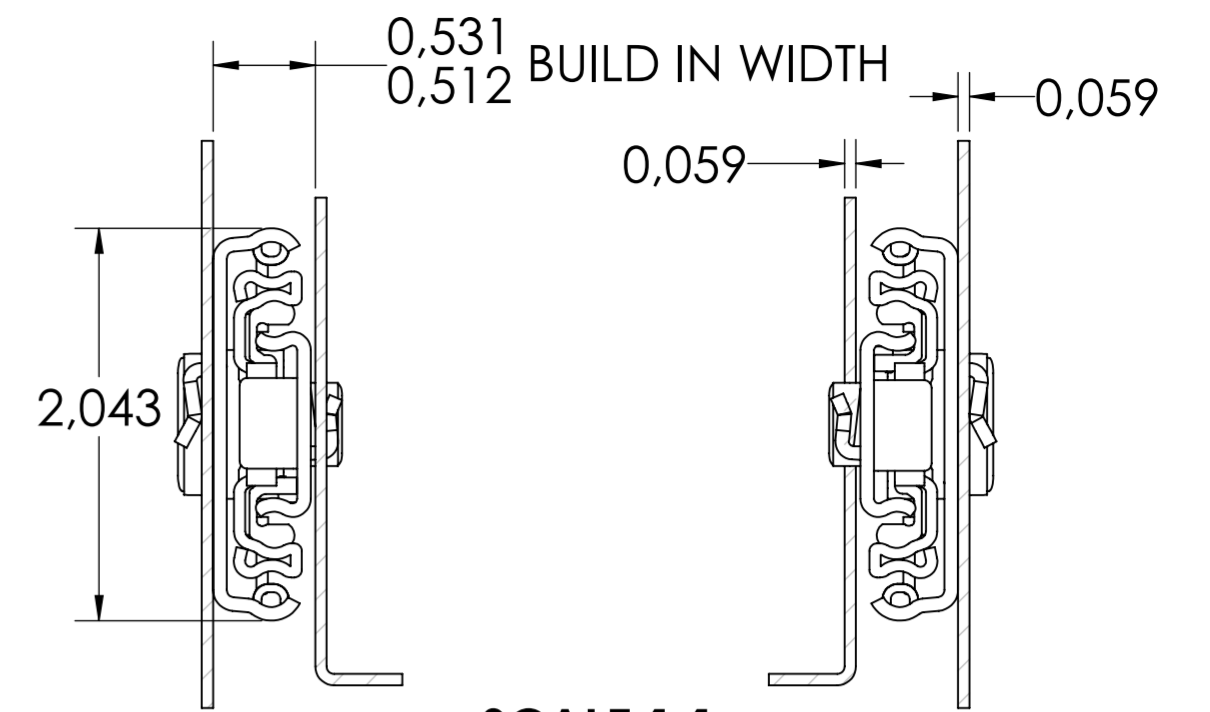
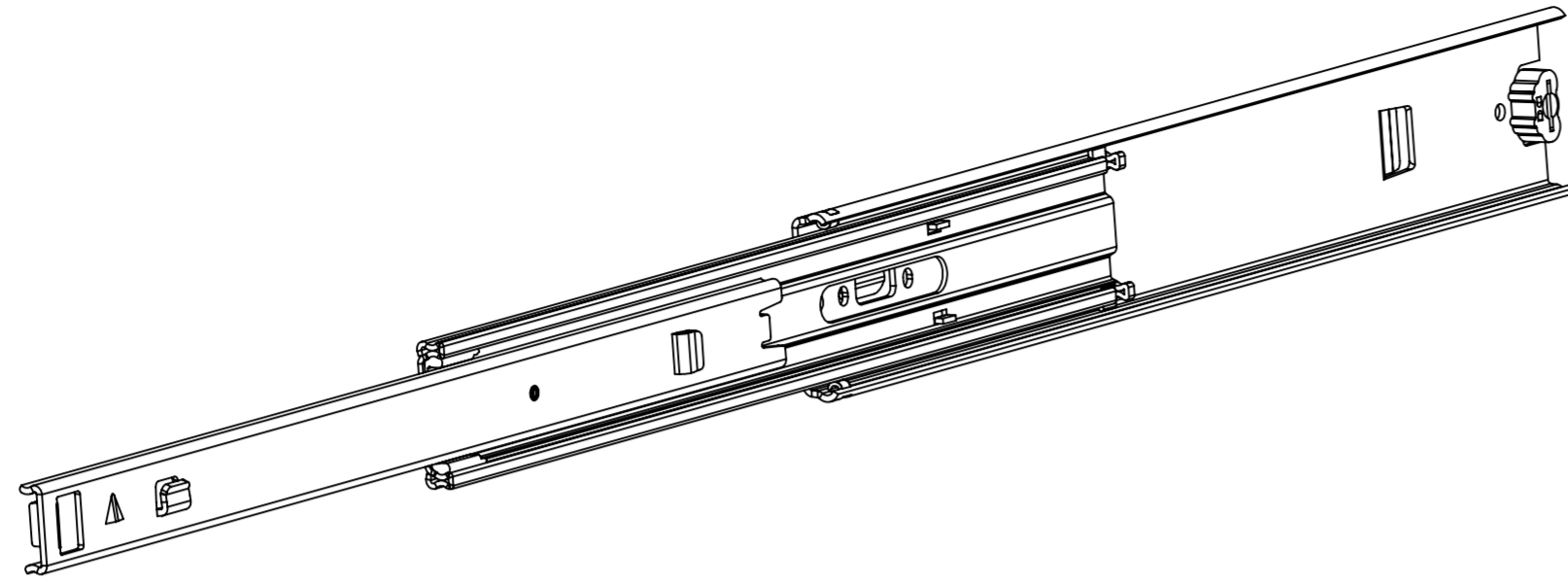
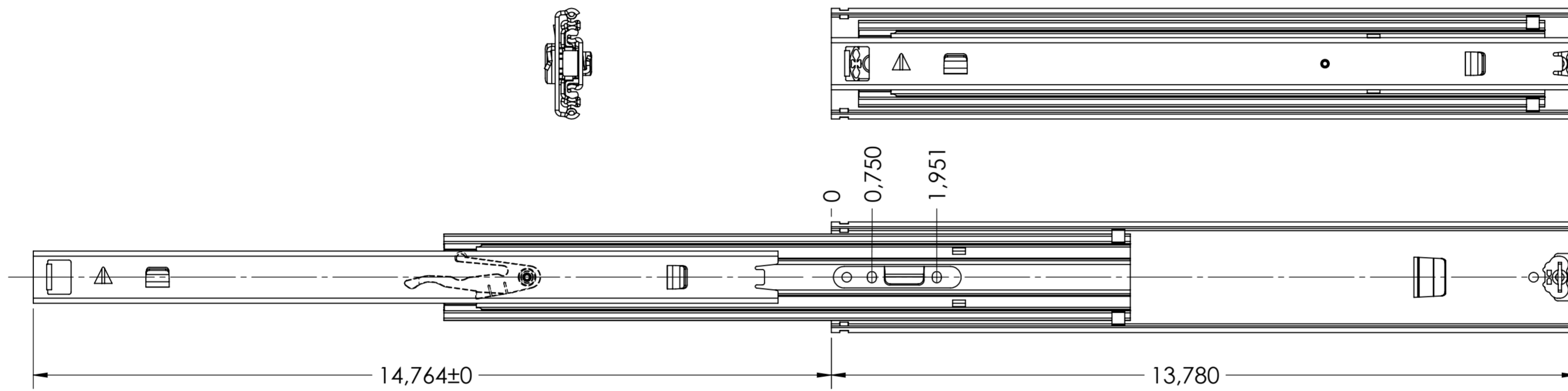


# 5210.350-GA.T103

X

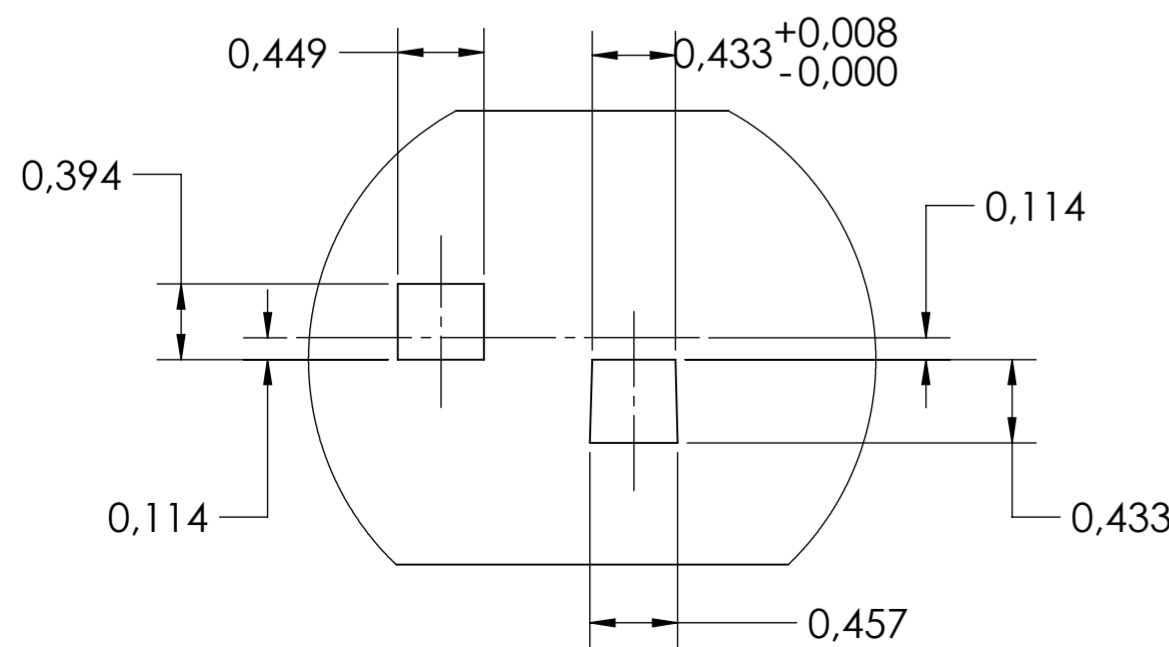
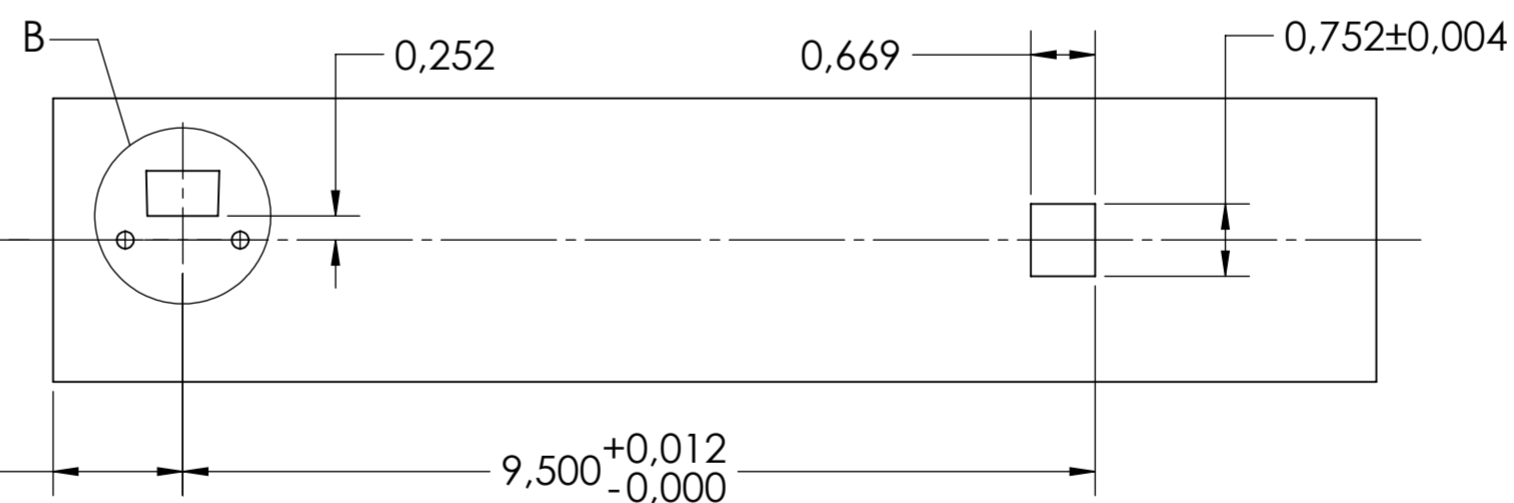
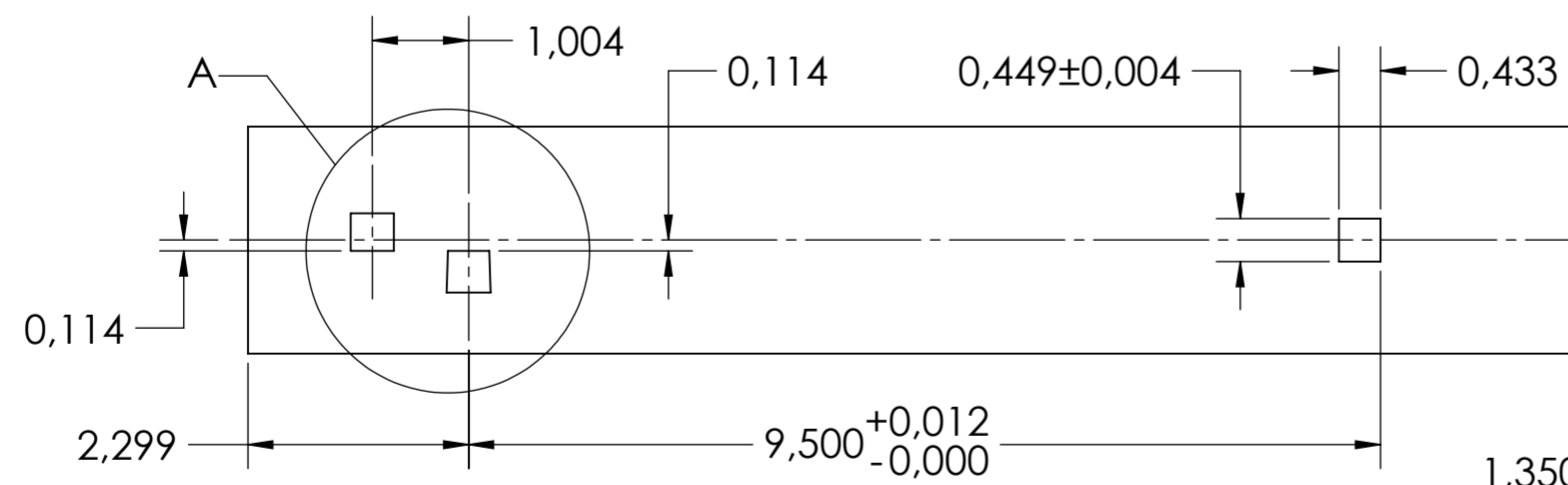


SCALE 1:1



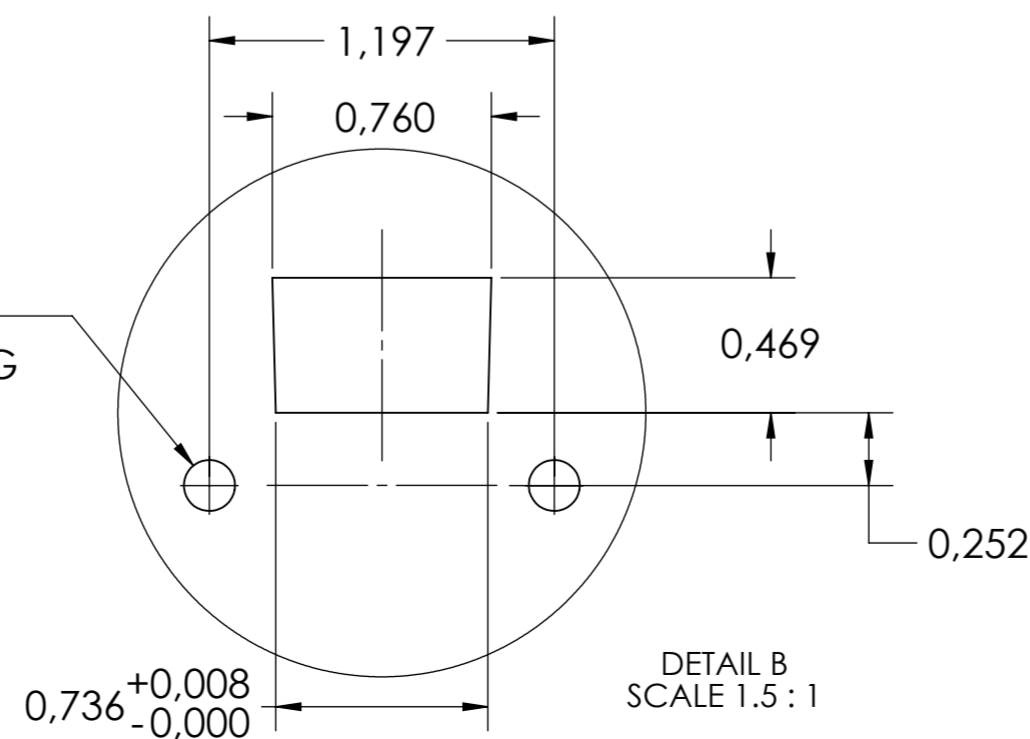
**DRAWER MOUNTING CUTOUTS**

**CABINET MOUNTING CUTOUTS**



DETAIL A  
SCALE 1:1

2X  $\phi$  0,177  
OPTIONAL  
FOR RIVETING



DETAIL B  
SCALE 1.5:1

general tolerances		DIN ISO 128-30 missing dimensions see 3D = theor. intersection	
ISO 2768-m			
This drawing remains our property and may not be multiplied neither be disclosed to third parties (§§1,3 and 5 from the copyright Act (UrhG)) covered according to DIN ISO 16016			
(k)		scale:	surface:
(l)		1:2	
(m)		date	name
(n)		drawn 08-03-2019	HB
(o)		proven 00-00-0000	00
(p)		<b>Fulterer</b>	
(q)			
(r)		Fulterer AG & Co KG A-6890 Lustenau / Austria	
(s)		Fulterer AG CH-9430 St. Margrethen	
(t)		drawing number: <b>5210.350-GA.T103</b>	
(u)		replaces version date:	
(v)		ind.	changes
(w)		date	na.
(x)			