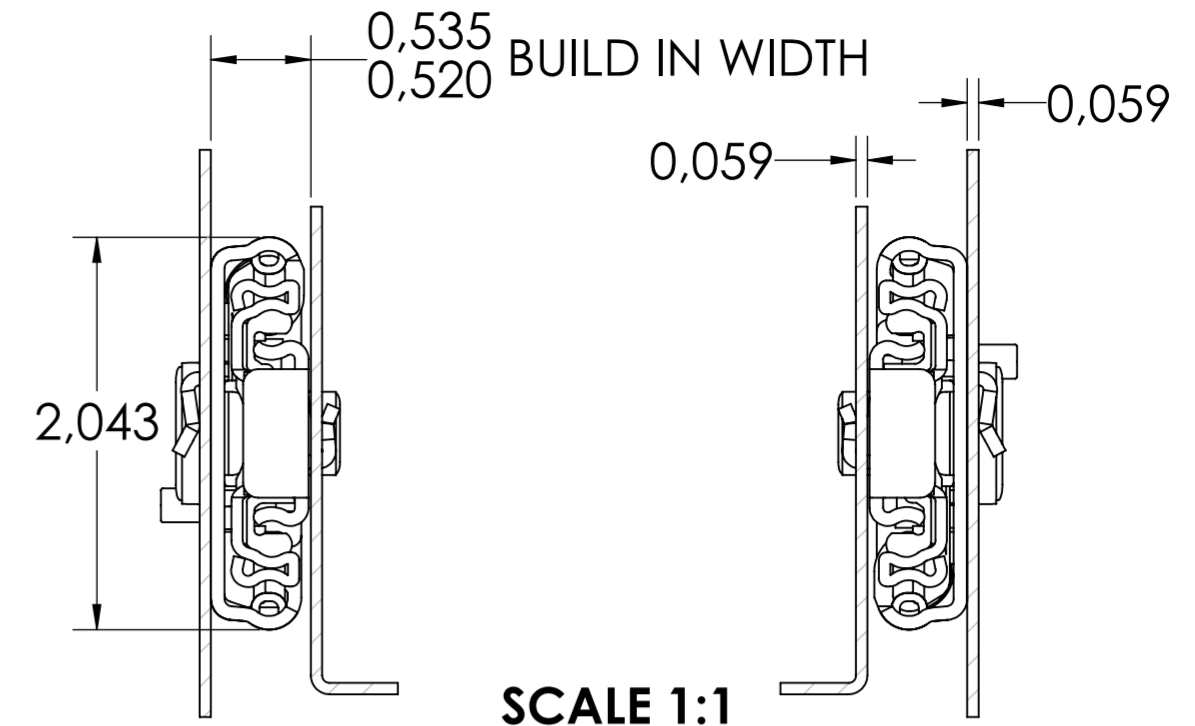
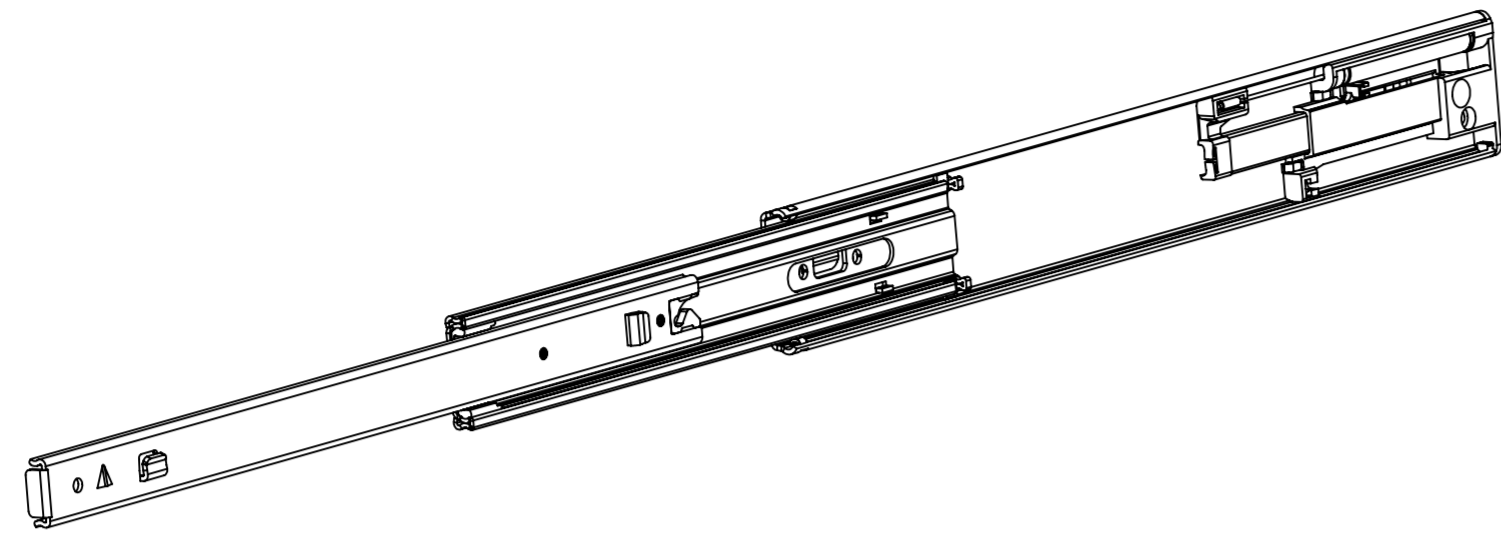
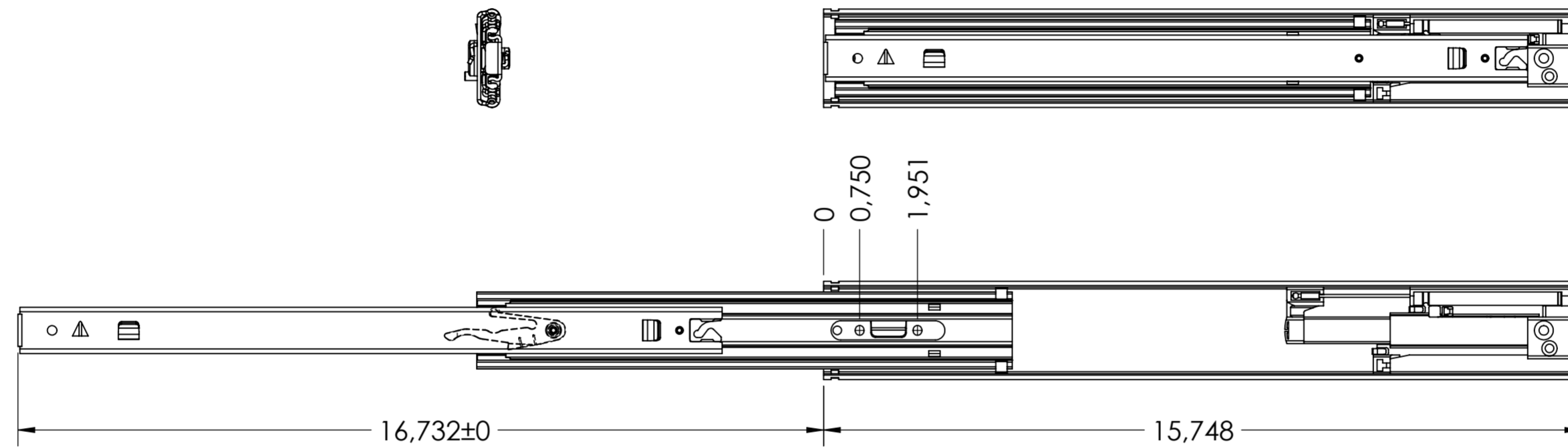


5210.400-GA.T107

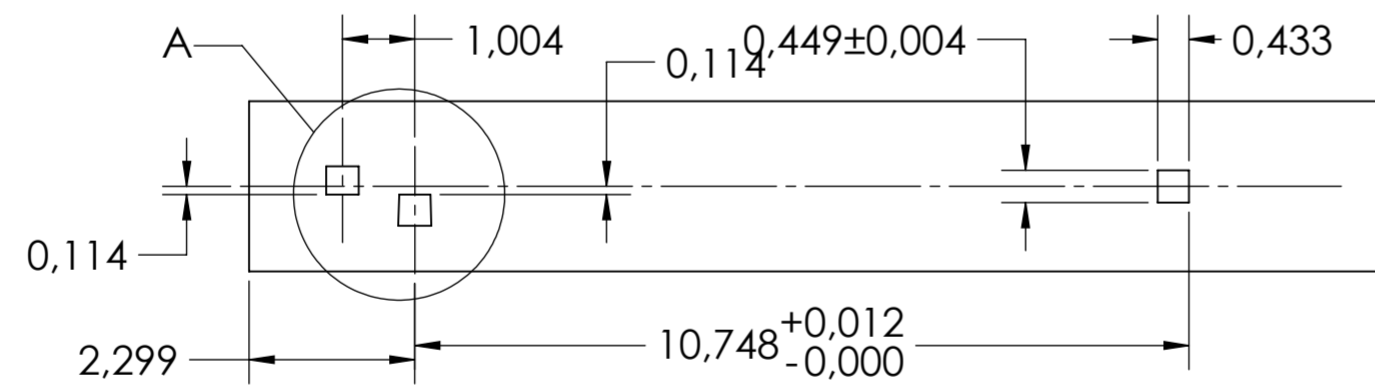
X



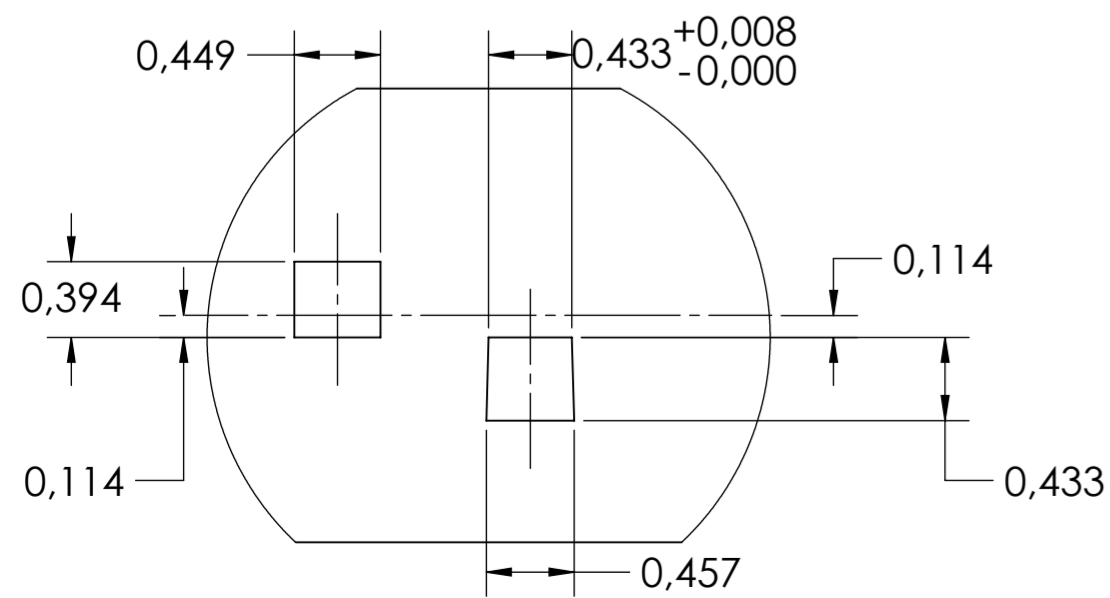
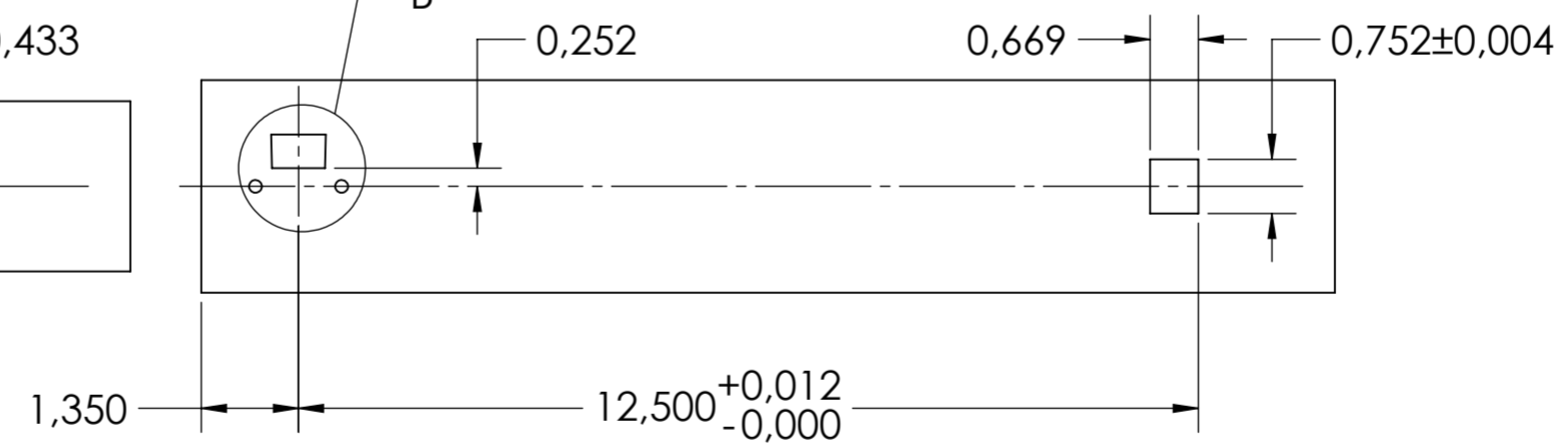
SCALE 1:1



DRAWER MOUNTING CUTOUTS

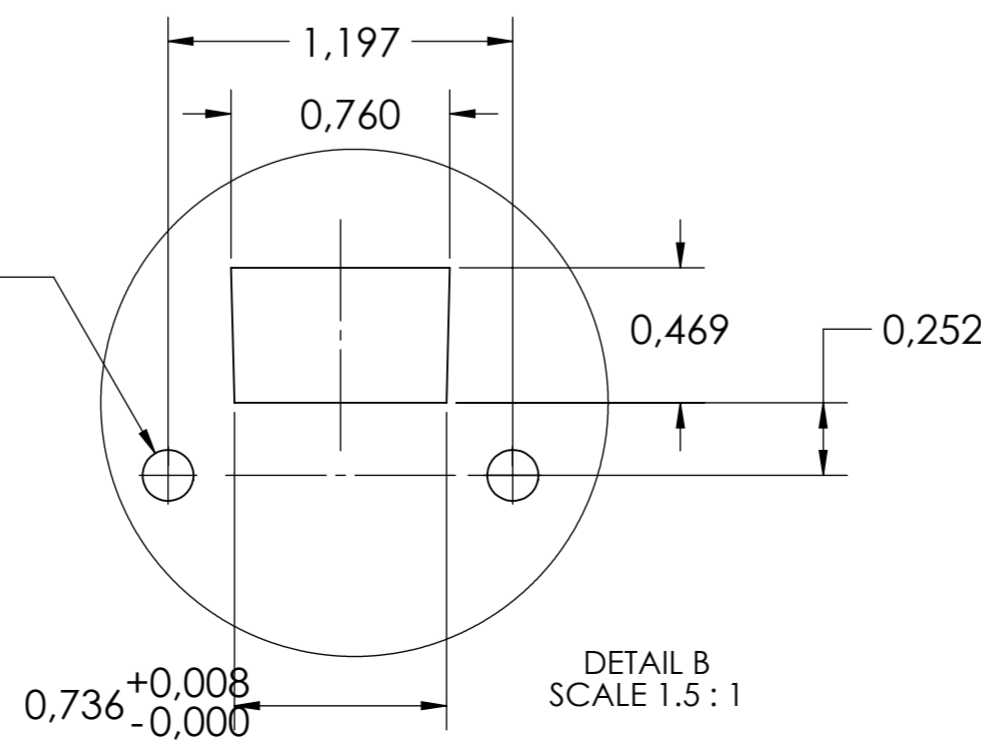


CABINET MOUNTING CUTOUTS



DETAIL A
SCALE 1:1

2X Ø 0,177
OPTIONAL
FOR RIVETING



DETAIL B
SCALE 1.5:1

PULL OUT FORCE: 24N ± 2N (5.4 lbf. ± 0.5 lbf.)

general tolerances		DIN ISO 128-30 missing dimensions see 3D = theor. intersection	
ISO 2768-m			
This drawing remains our property and may not be multiplied neither be disclosed to third parties (§§1,3 and 5 from the copyright Act (UrhG)) covered according to DIN ISO 16016			
(k)		scale:	surface:
(l)		3:8	
(m)		date	name
(n)		drawn 29-05-2019	HB
(o)		proven 00-00-0000	00
(p)		Fulterer	
(q)		Fulterer AG & Co KG A-6890 Lustenau / Austria	
(r)		Fulterer AG CH-9430 St. Margrethen	
(s)		drawing number: 5210.400-GA.T107	
(t)		replaces version date:	
(u)	0	00-00-0000	0
ind.	changes	date	na.