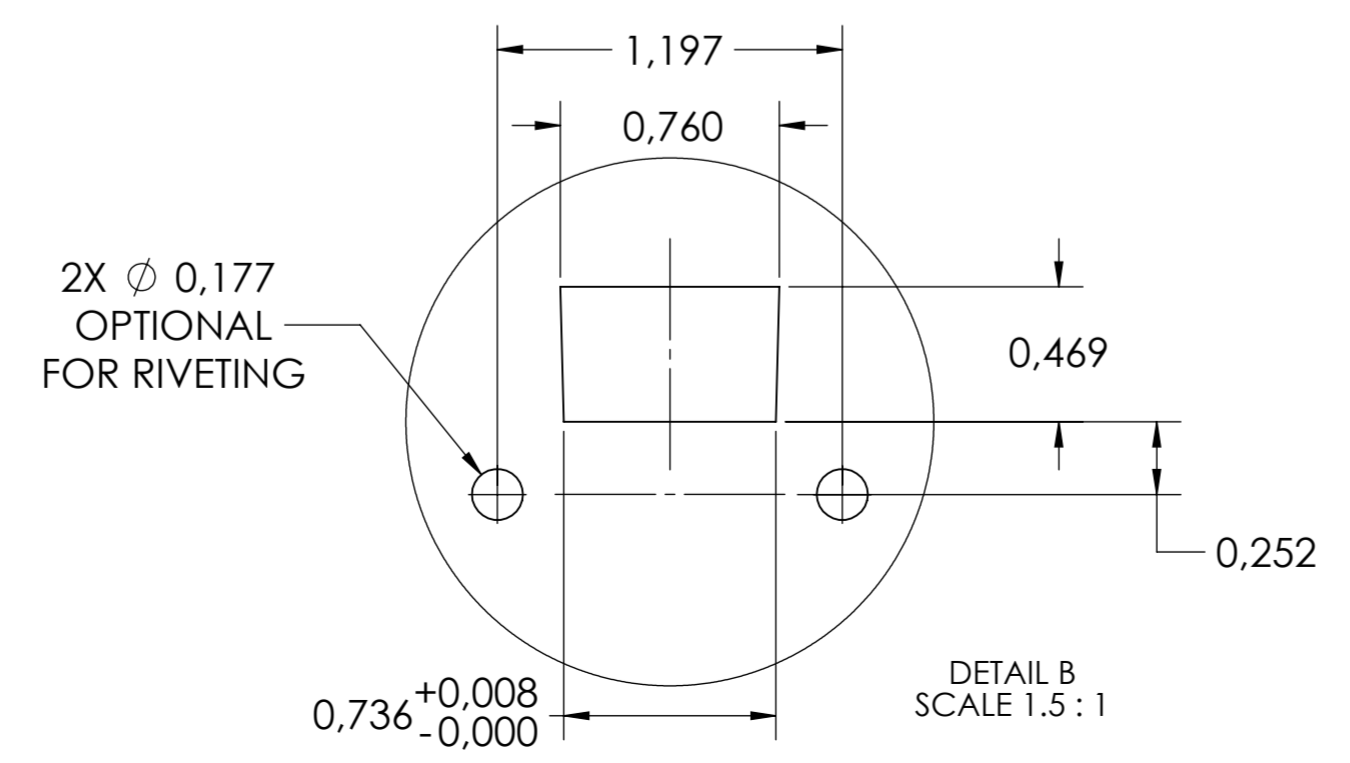
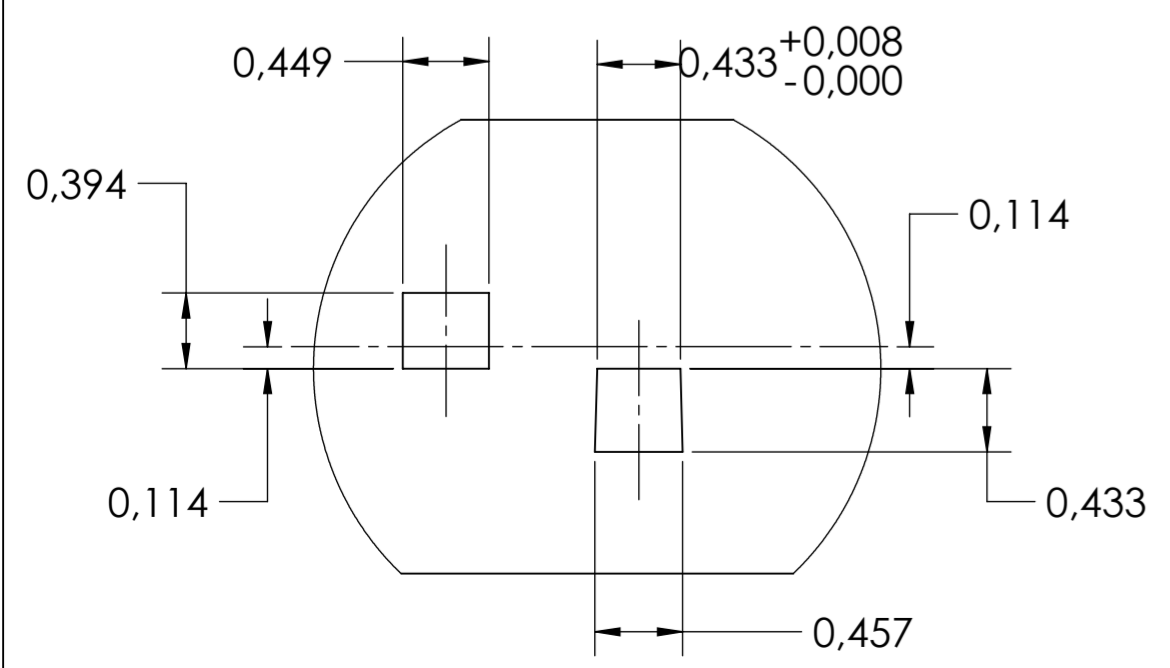
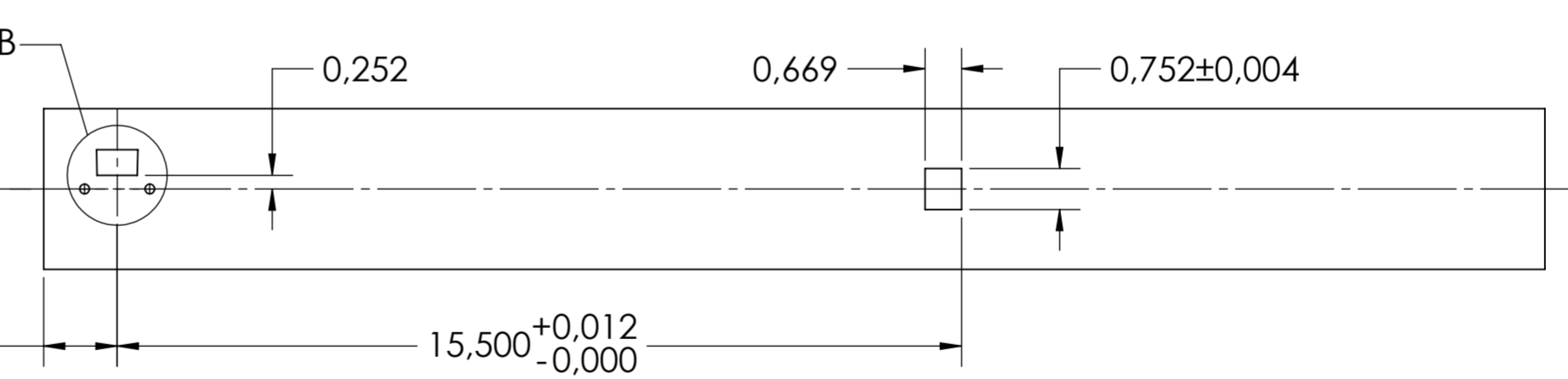
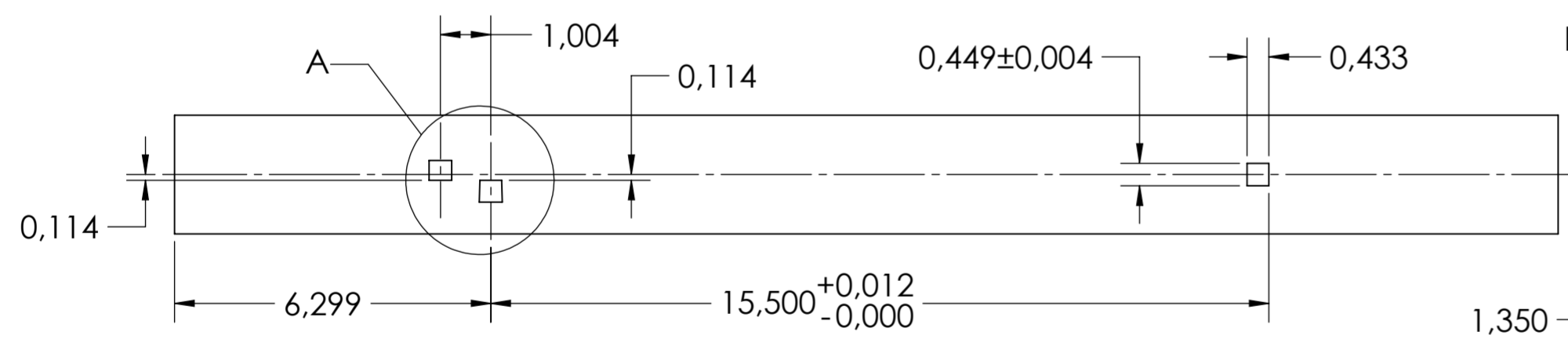


DRAWER MOUNTING CUTOUTS

CABINET MOUNTING CUTOUTS



DETAIL A
SCALE 1:1

DETAIL B
SCALE 1.5:1

general tolerances		DIN ISO 128-30 missing dimensions see 3D = theor. intersection	
ISO 2768-m			
This drawing remains our property and may not be multiplied neither be disclosed to third parties (§§1,3 and 5 from the copyright Act (UrhG)) covered according to DIN ISO 16016			
(k)		scale:	material, semi finished parts: A2
(l)		1:3	STEEL
(m)		surface:	(technical requirements Fulterer)
(n)		date	description:
(o)		drawn 12-06-2019	HB
(p)		proven 00-00-0000	00
(q)		Fulterer	
(r)			
(s)		drawing number:	
(t)		5210.700-GA.T102	
(u)		replaces version date:	
(v)		Fulterer AG & Co KG A-6890 Lustenau / Austria	
(w)		Fulterer AG CH-9430 St. Margrethen	
(x)		ind. changes date na.	