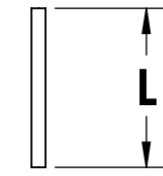
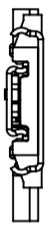
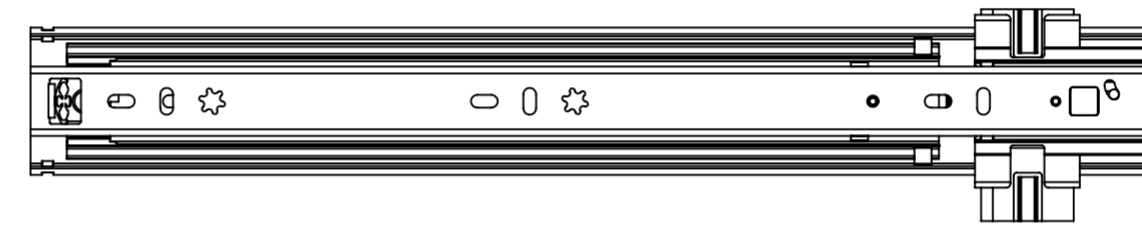
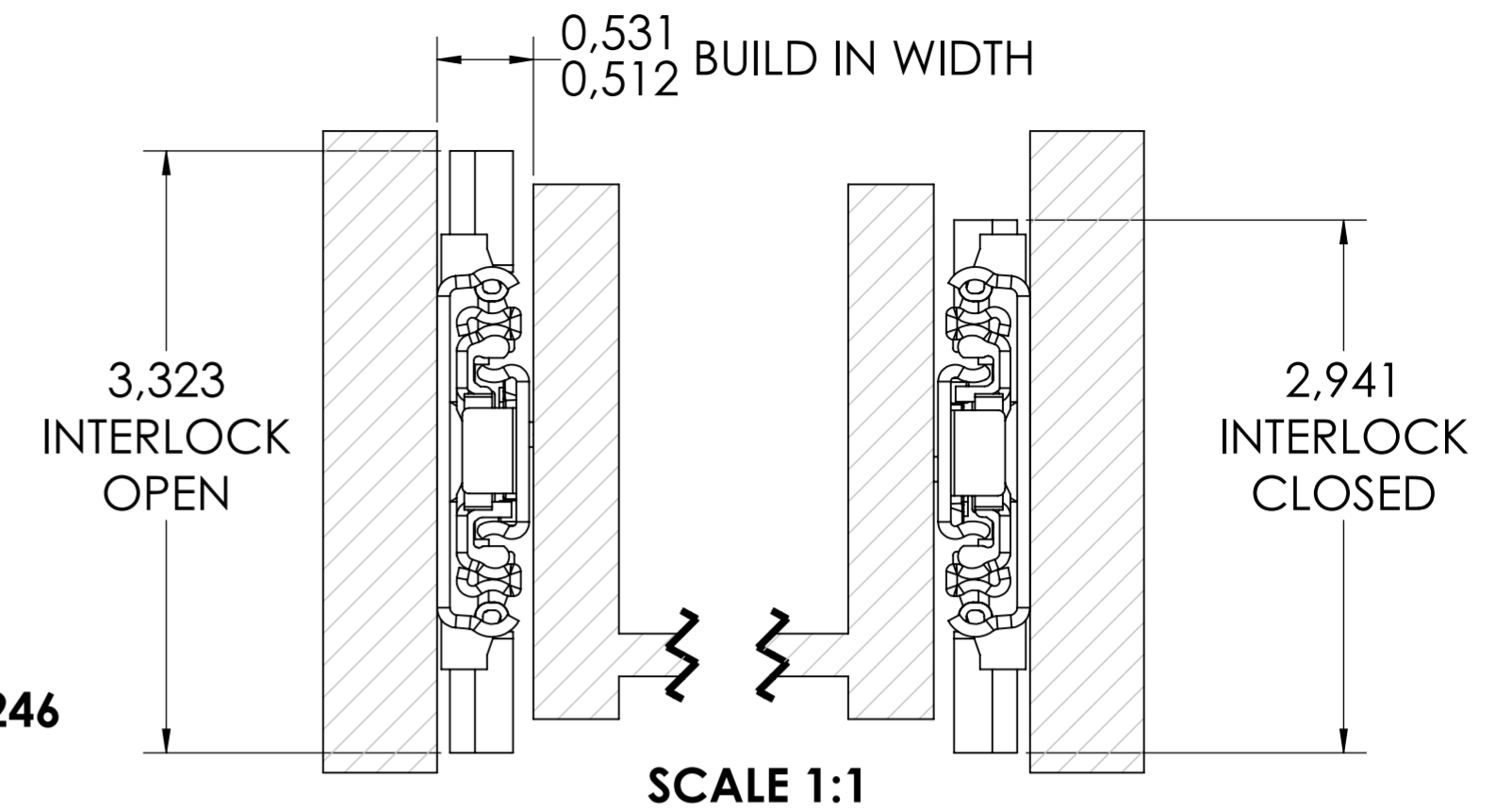


SCALE 1:4
NOTE: 450mm LENGTH SHOWN

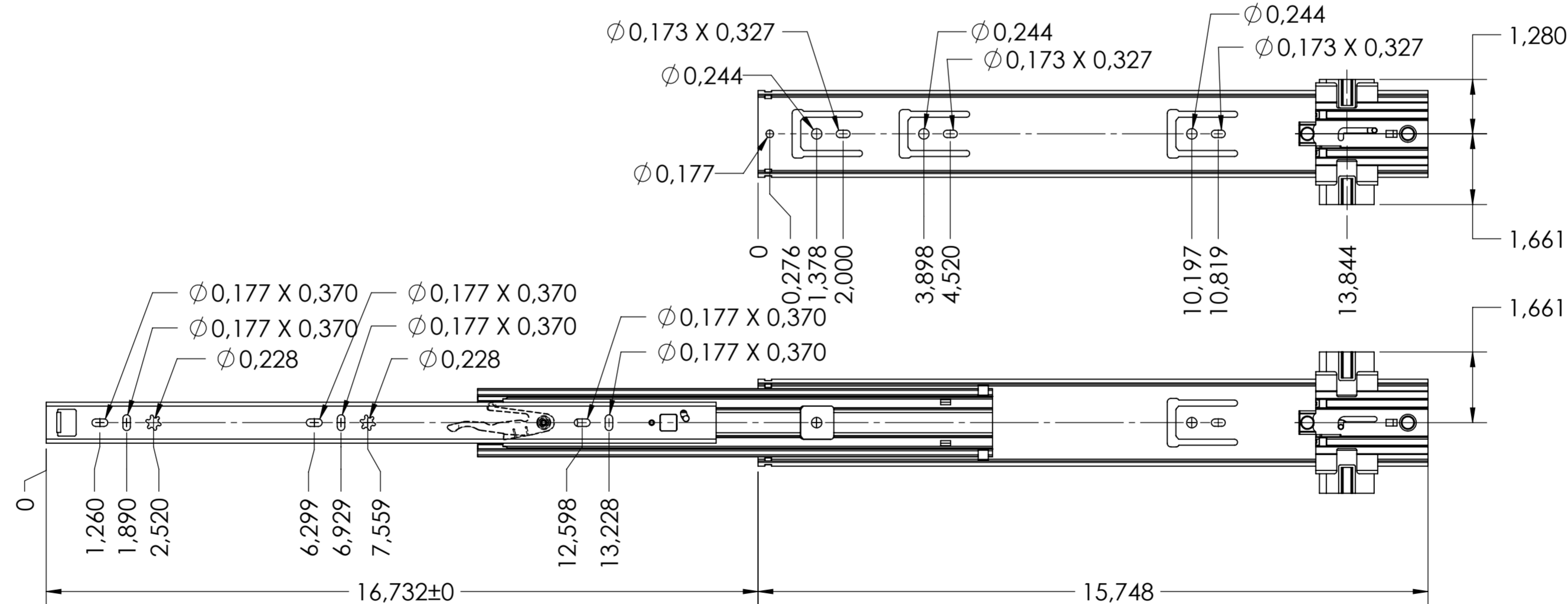
RECOMMENDED MINIMUM DISTANCE BETWEEN SLIDES "A" = 90mm



ROD LENGTH $L^{+0.5} = A-44$
 $\varnothing 5\text{mm}$ ROD
FULTERER PART NUMBER 400246



CABINET MOUNTING HOLES



RECOMMENDED HARDWARE:

CABINET- M4 BUTTON HEAD OR #8 TRUSS HEAD SCREW

DRAWER- M4 BUTTON HEAD OR #8 TRUSS HEAD SCREW

INTERLOCK- $\varnothing 5\text{mm}$ ALUMINUM ROD **FULTERER PART NUMBER 400246**

general tolerances		DIN ISO 128-30 missing dimensions see 3D = theor. intersection	
ISO 2768-m			
This drawing remains our property and may not be multiplied neither be disclosed to third parties (§§1,3 and 5 from the copyright Act (UrhG)) covered according to DIN ISO 16016			
(k)	scale:	3:8	surface:
(l)	date:	25-02-2019	name:
(m)	drawn:	HB	description:
(n)	proven:	00-00-0000	00
(o)	Fulterer		drawing number: 5219.400-GA.T037
(p)			
(q)	Fulterer AG & Co KG A-6890 Lustenau / Austria		
(r)	Fulterer AG CH-9430 St. Margrethen		
(s)	changes	date	na.
(t)			
(u)			
(v)			
(w)			
(x)			
(y)			
(z)			