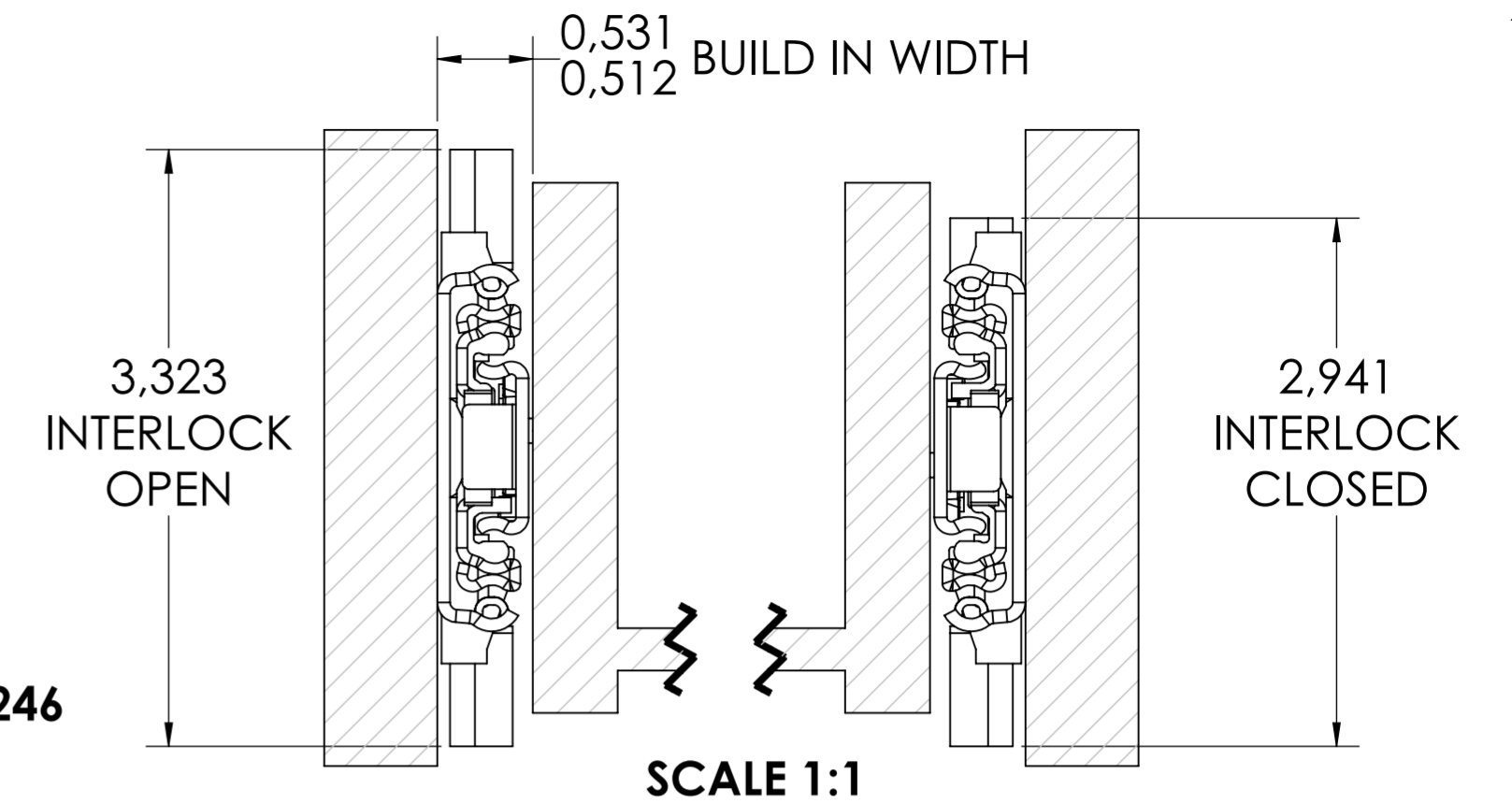


SCALE 1:4
NOTE: 450mm LENGTH SHOWN

RECOMMENDED MINIMUM DISTANCE BETWEEN SLIDES "A" = 90mm

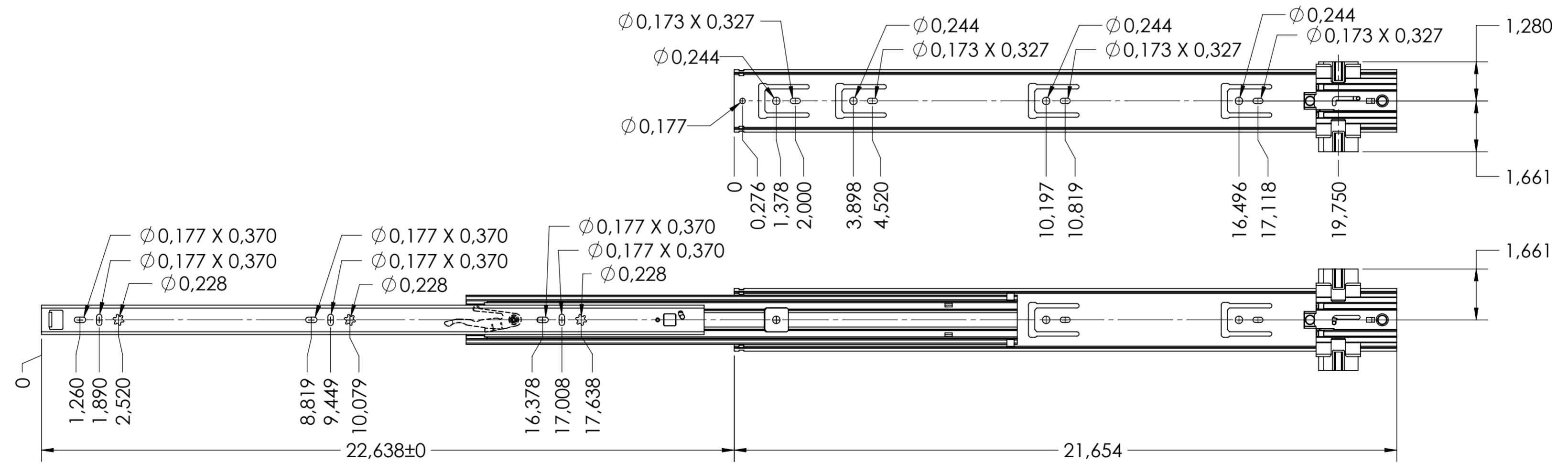
ROD LENGTH $L^{+0.5} = A-44$
 ϕ 5mm ROD
FULTERER PART NUMBER 400246



SCALE 1:1



CABINET MOUNTING HOLES



RECOMMENDED HARDWARE:

- CABINET- M4 BUTTON HEAD OR #8 TRUSS HEAD SCREW
- DRAWER- M4 BUTTON HEAD OR #8 TRUSS HEAD SCREW
- INTERLOCK- ϕ 5mm ALUMINUM ROD **FULTERER PART NUMBER 400246**

| | | | |
|--|---------------------------------------|--|--|
| general tolerances | | DIN ISO 128-30 missing dimensions see 3D = theor. intersection | |
| ISO 2768-m | | | |
| This drawing remains our property and may not be multiplied neither be disclosed to third parties (§§1,3 and 5 from the copyright Act (UrhG)) covered according to DIN ISO 16016 | | | |
| (k) | scale: | 1:3 | surface: |
| (l) | date | 25-02-2019 | name |
| (m) | drawn | HB | description: |
| (n) | proven | 00-00-0000 | 00 |
| (o) | Fulterer | | drawing number: 5219.550-GA.T037 |
| (p) | | | |
| (q) | Fulterer AG CH-9430 St. Margrethen | | replaces version date: |
| (r) | ind. | changes | date |
| (s) | na. | 00-00-0000 | 0 |