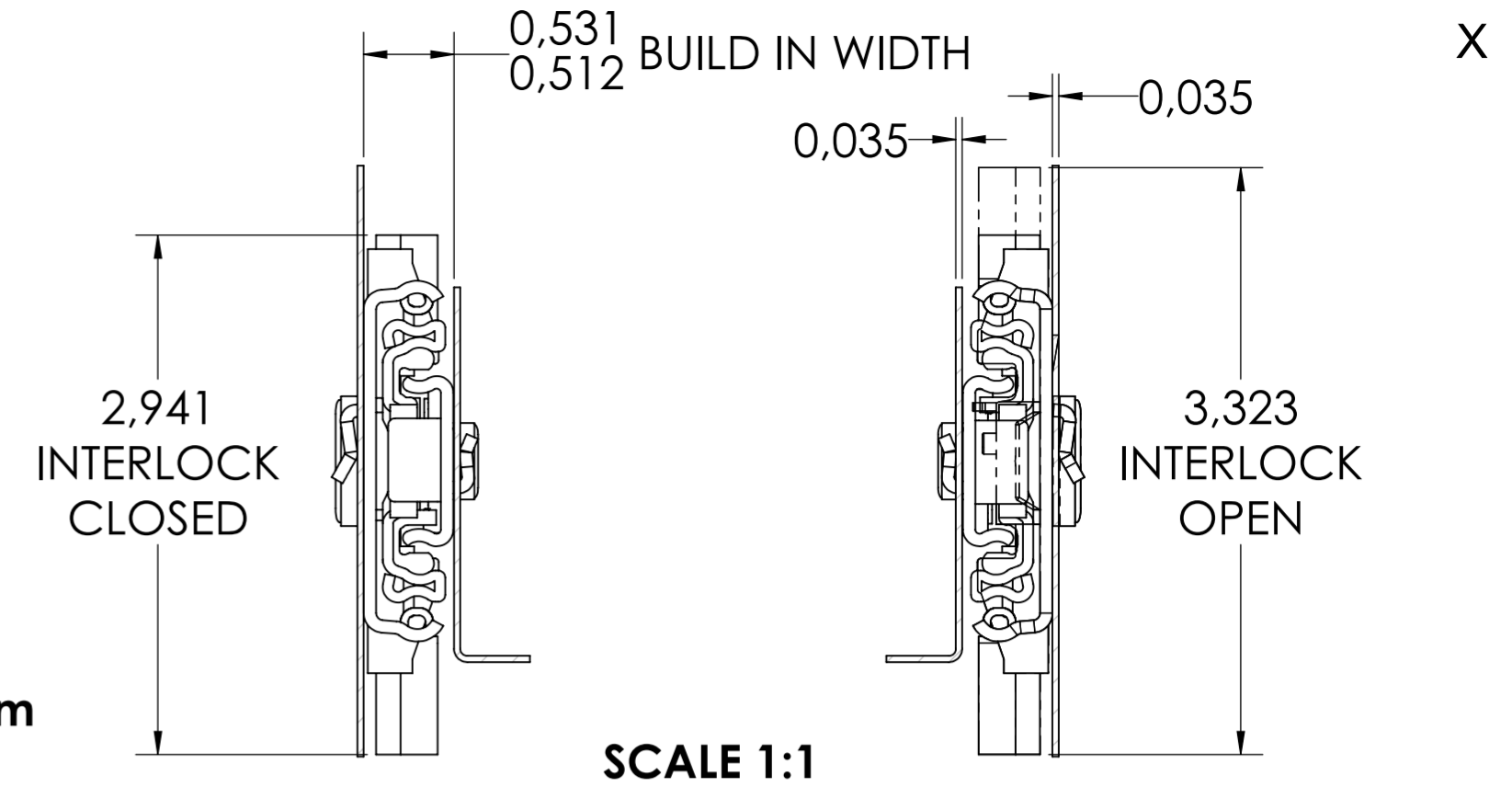


SCALE 1:4
NOTE: 400MM LENGTH SHOWN

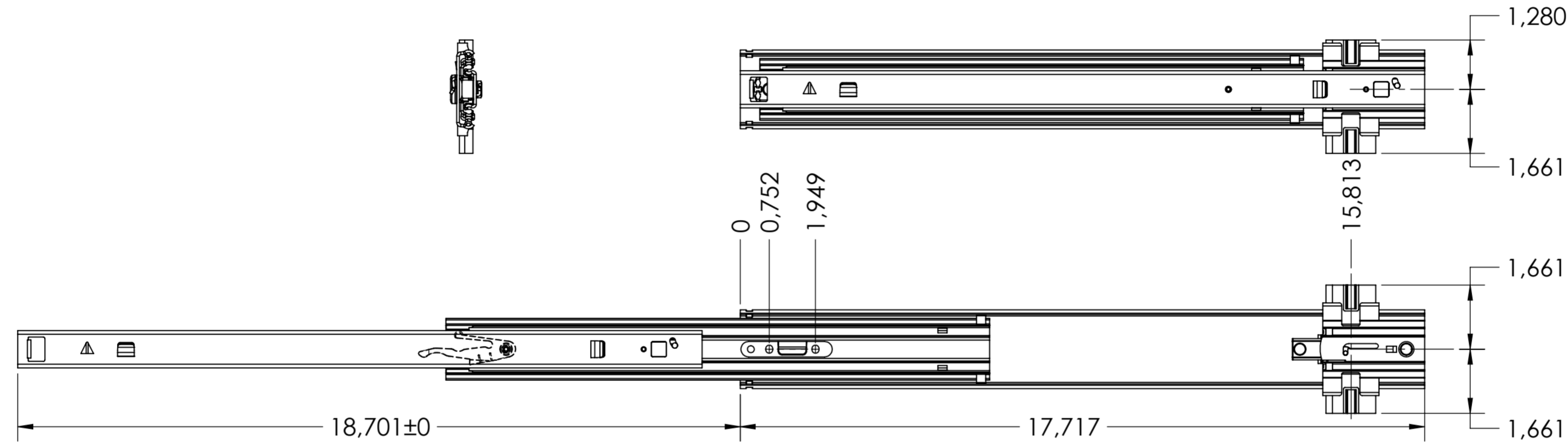
ROD LENGTH $L^{+0}_{-0.5} = A-44$

Ø 5mm ROD
FULTERER PART NUMBER 400246

RECOMMENDED MIN. DISTANCE "A" = 90mm

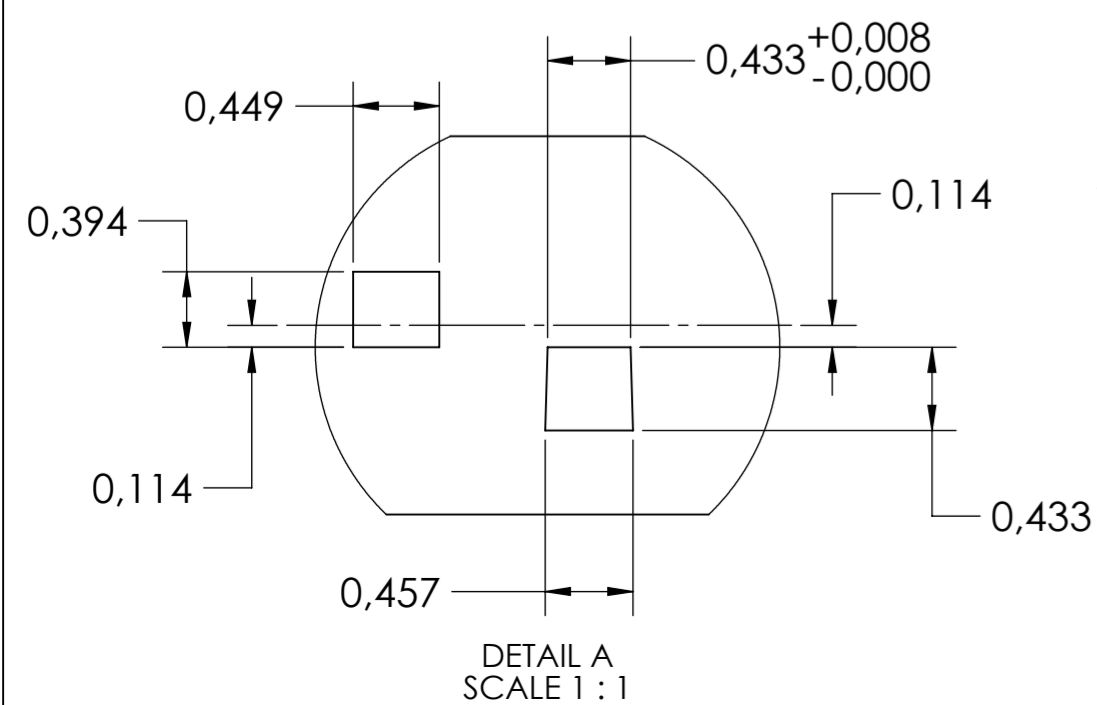
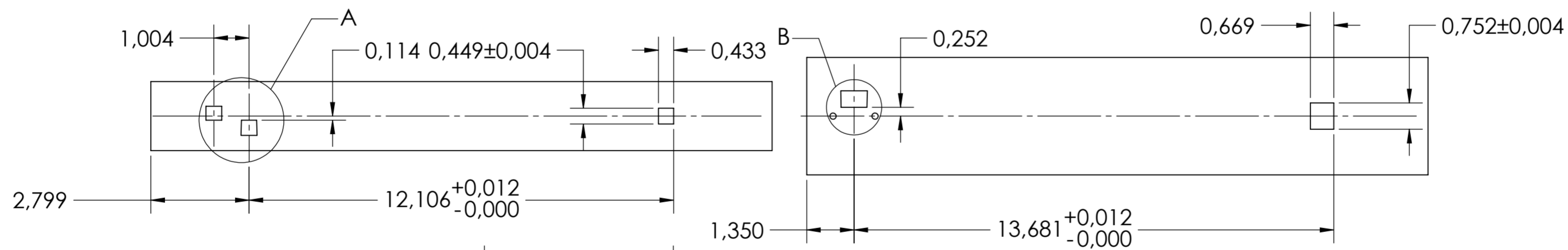


SCALE 1:1

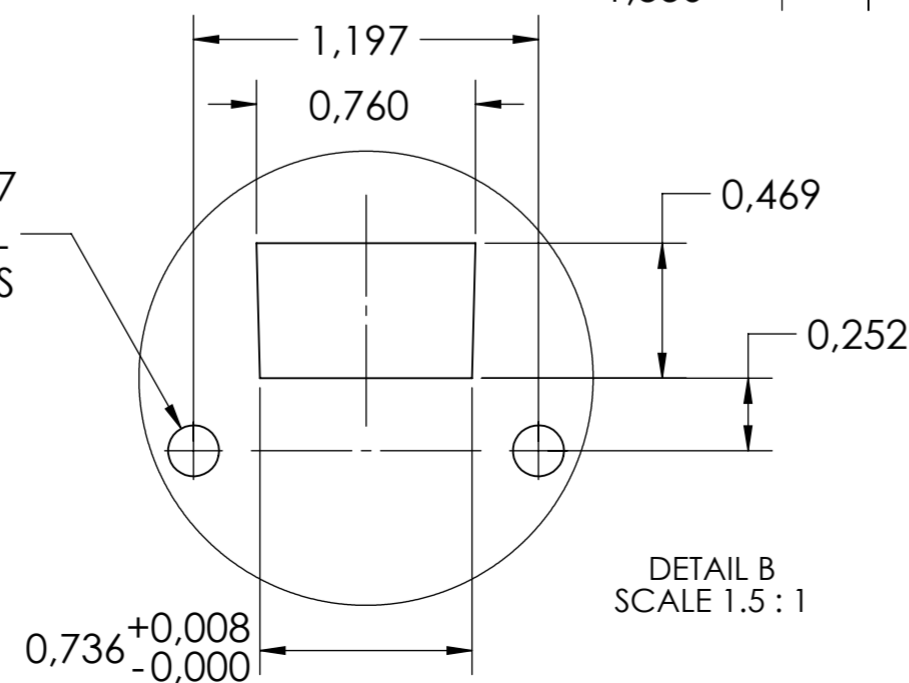


DRAWER MOUNTING CUTOUTS

CABINET MOUNTING CUTOUTS



2X Ø 0,177
OPTIONAL
FOR RIVETS



general tolerances				DIN ISO 128-30 missing dimensions see 3D = theor. intersection	
ISO 2768-m					
This drawing remains our property and may not be multiplied neither be disclosed to third parties (§§1,3 and 5 from the copyright Act (UrhG)) covered according to DIN ISO 16016					
(k)		scale:	1:3	surface:	material, semi finished parts: A2
(l)		date:	30-07-2019	name:	STEEL
(m)		drawn:	HB		(technical requirements Fulterer)
(n)		proven:	00-00-0000	00	description:
(o)					SIDE MOUNT OVER EXTENSION
(p)					SMT (0.9) INTERLOCKING SLIDE
(q)					WITH DRAWER DISCONNECT
(r)					drawing number:
(s)					5219.450-GA.T119
(t)					replaces version date:
(u)					
(v)					
(w)					
(x)					
(y)					
(z)					
ind.	changes	date		na.	