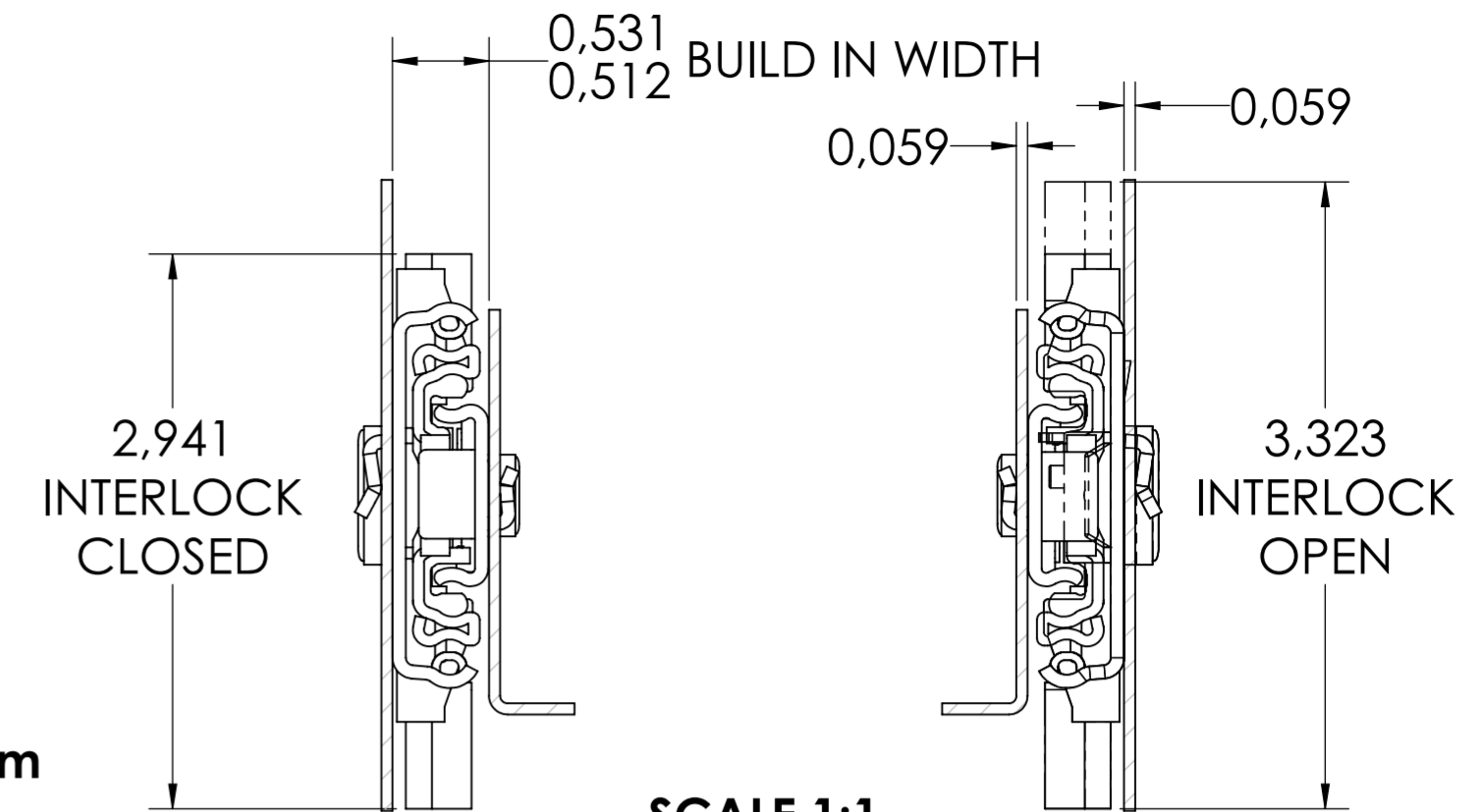


SCALE 1:4
NOTE: 400MM LENGTH SHOWN

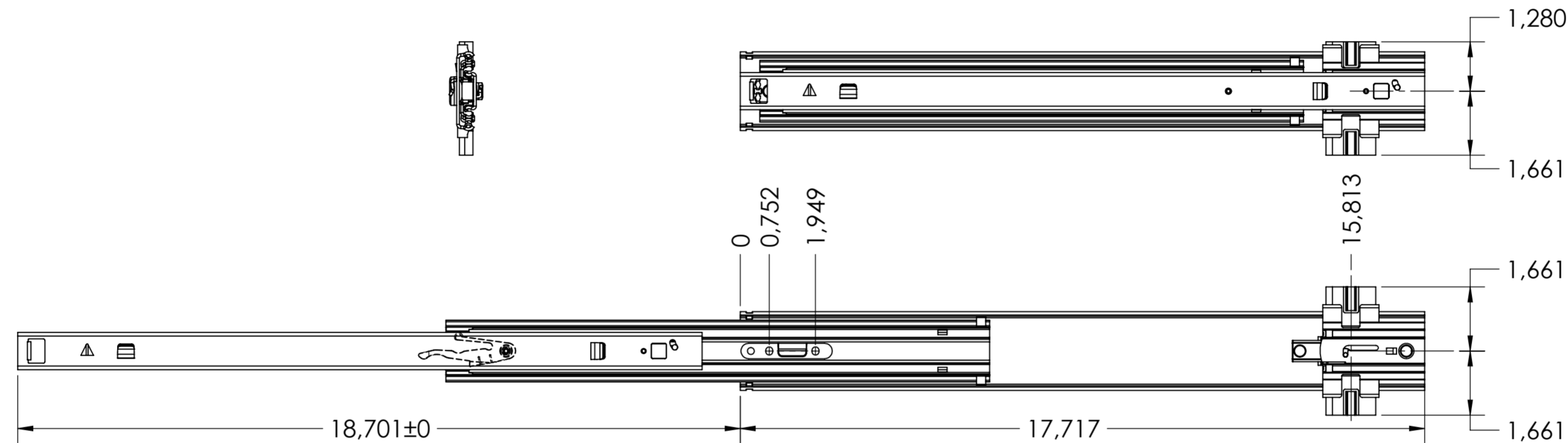
ROD LENGTH $L^{+0}_{-0.5} = A-44$

Ø 5mm ROD
FULTERER PART NUMBER 400246

RECOMMENDED MIN. DISTANCE "A" = 90mm

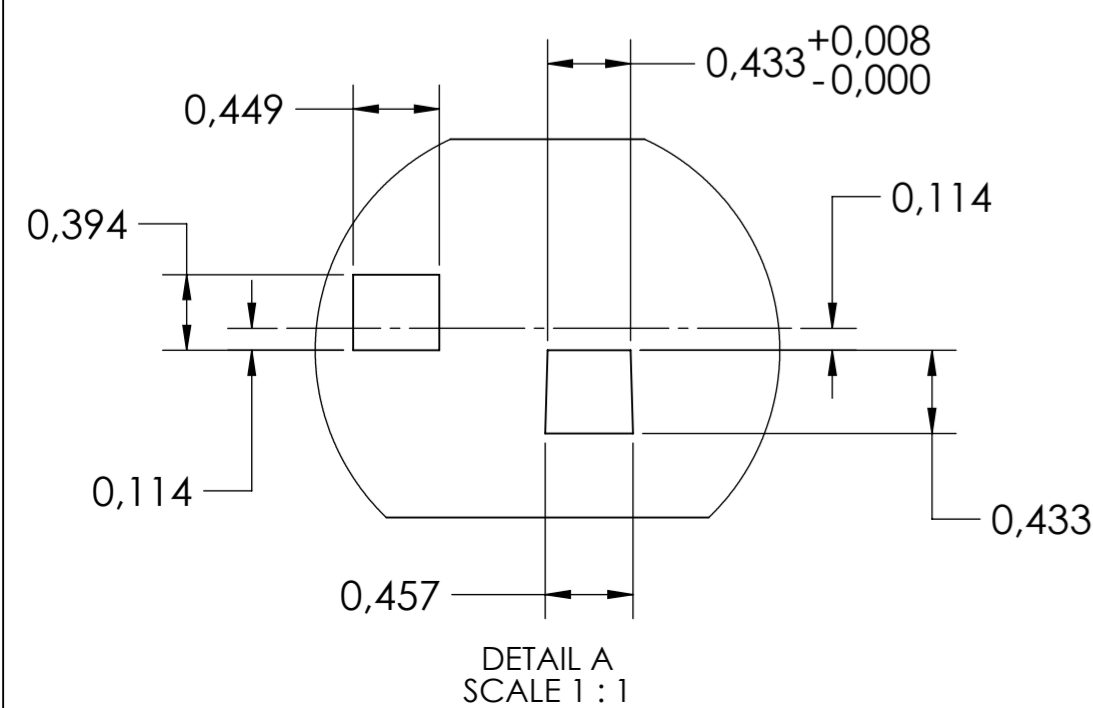
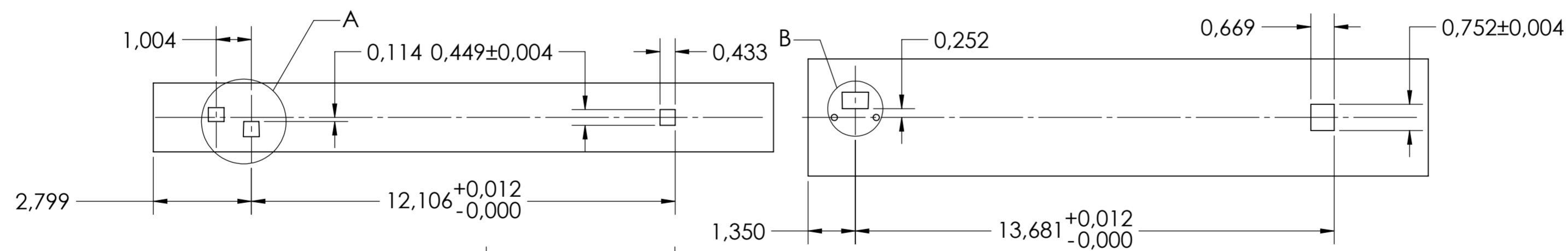


SCALE 1:1

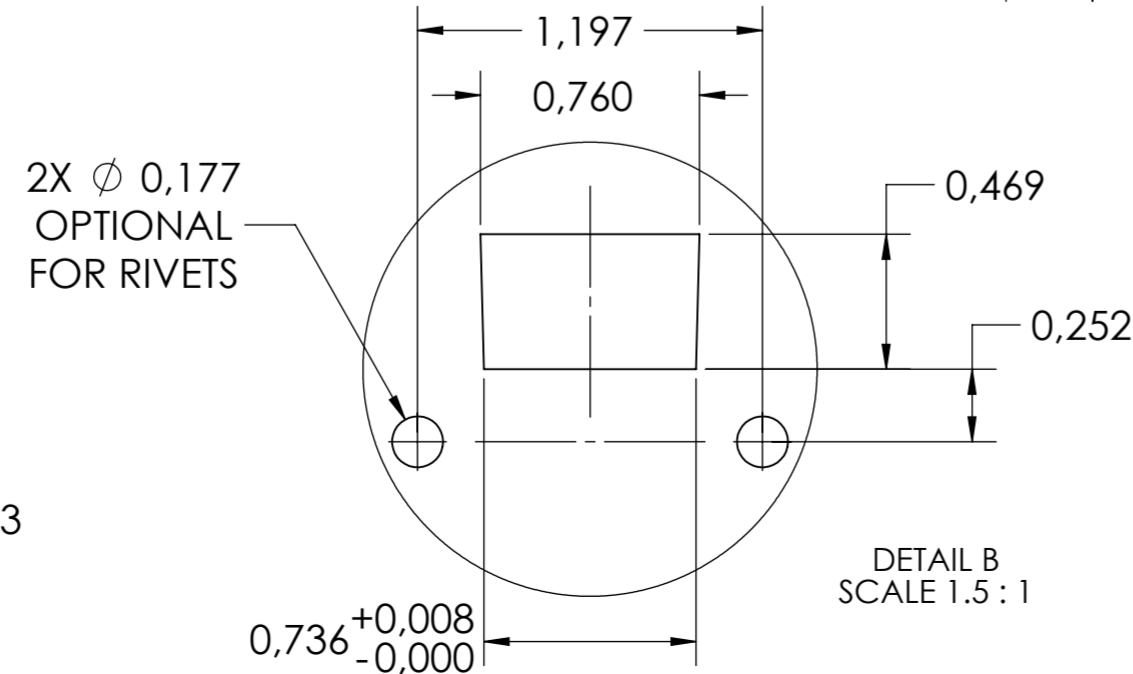


DRAWER MOUNTING CUTOUTS

CABINET MOUNTING CUTOUTS



DETAIL A
SCALE 1:1



DETAIL B
SCALE 1.5:1

2X Ø 0,177
OPTIONAL
FOR RIVETS

| general tolerances | | | | DIN ISO 128-30 missing dimensions see 3D = theor. intersection | |
|----------------------------------------------------------------------------------------------------------------------------------------------------------------------------------|---------|-----------------|-----|--------------------------------------------------------------------------------------------|--|
| ISO 2768-m | | | | | |
| This drawing remains our property and may not be multiplied neither be disclosed to third parties (§§1,3 and 5 from the copyright Act (UrhG)) covered according to DIN ISO 16016 | | | | | |
| scale: 1:3 | | surface: | | material, semi finished parts: STEEL (technical requirements Fulterer) | |
| drawn 11-06-2019 | | date 11-06-2019 | | name HB | |
| proven 00-00-0000 | | date 00-00-0000 | | description: SIDE MOUNT OVER EXTENSION SMT (1.5) INTERLOCKING SLIDE WITH DRAWER DISCONNECT | |
| | | | | drawing number: 5219.450-GA.T120 | |
| | | | | replaces version date: | |
| ind. 0 | changes | date 00-00-0000 | na. | drawing number: 5219.450-GA.T120 | |