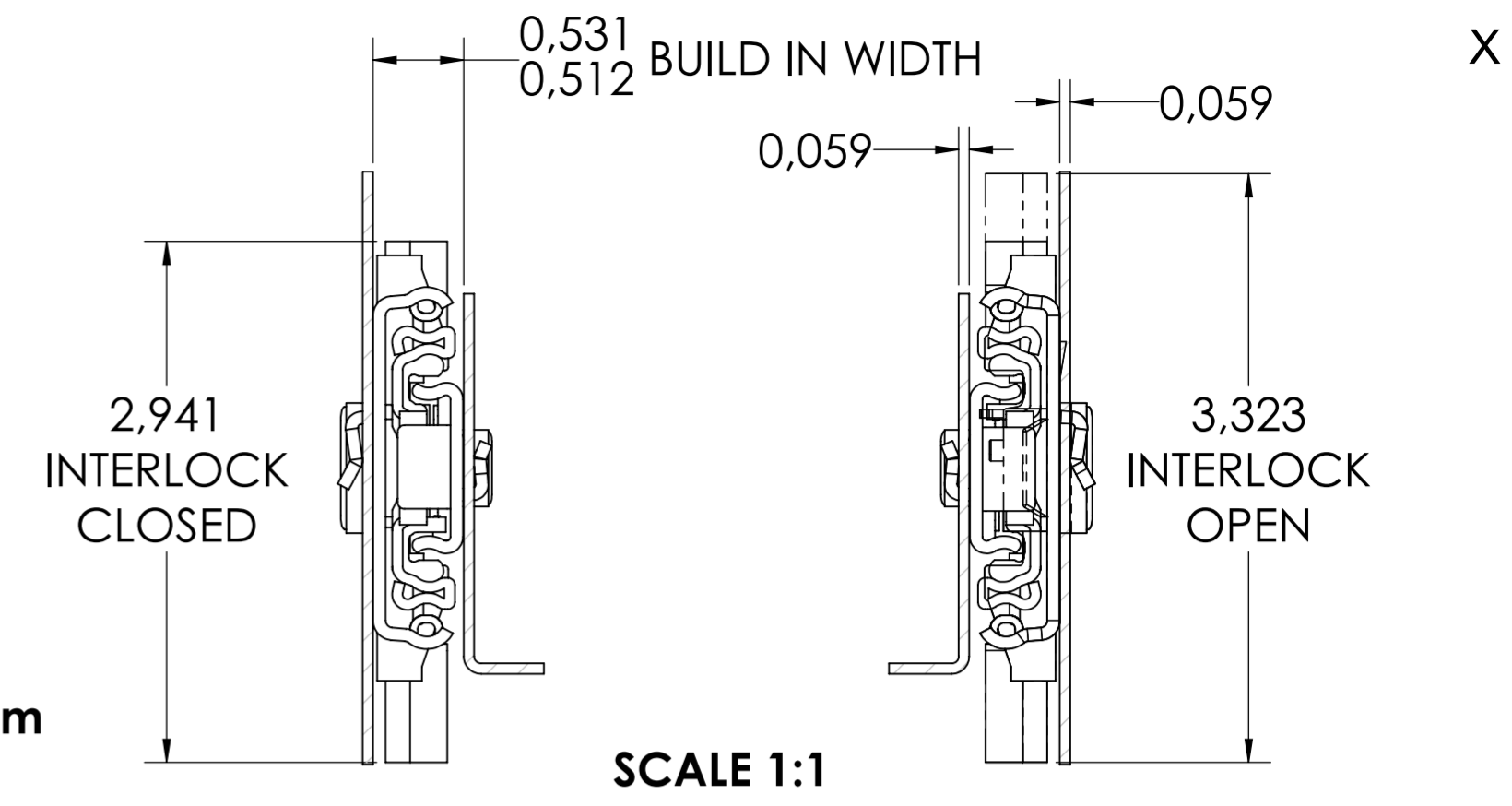


ROD LENGTH $L^{+0}_{-0.5} = A-44$
 ϕ 5mm ROD
FULTERER PART NUMBER 400246

RECOMMENDED MIN. DISTANCE "A" = 90mm

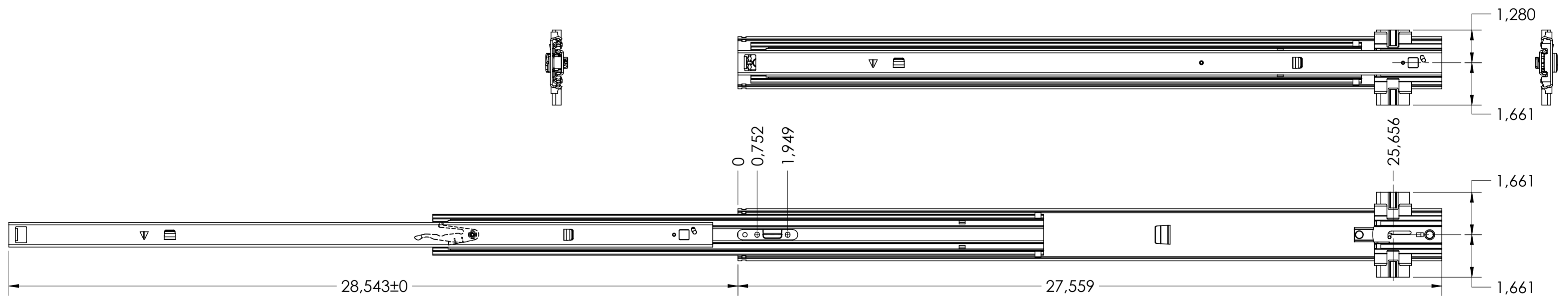
SCALE 1:4
 NOTE: 400MM LENGTH SHOWN



2,941
 INTERLOCK
 CLOSED

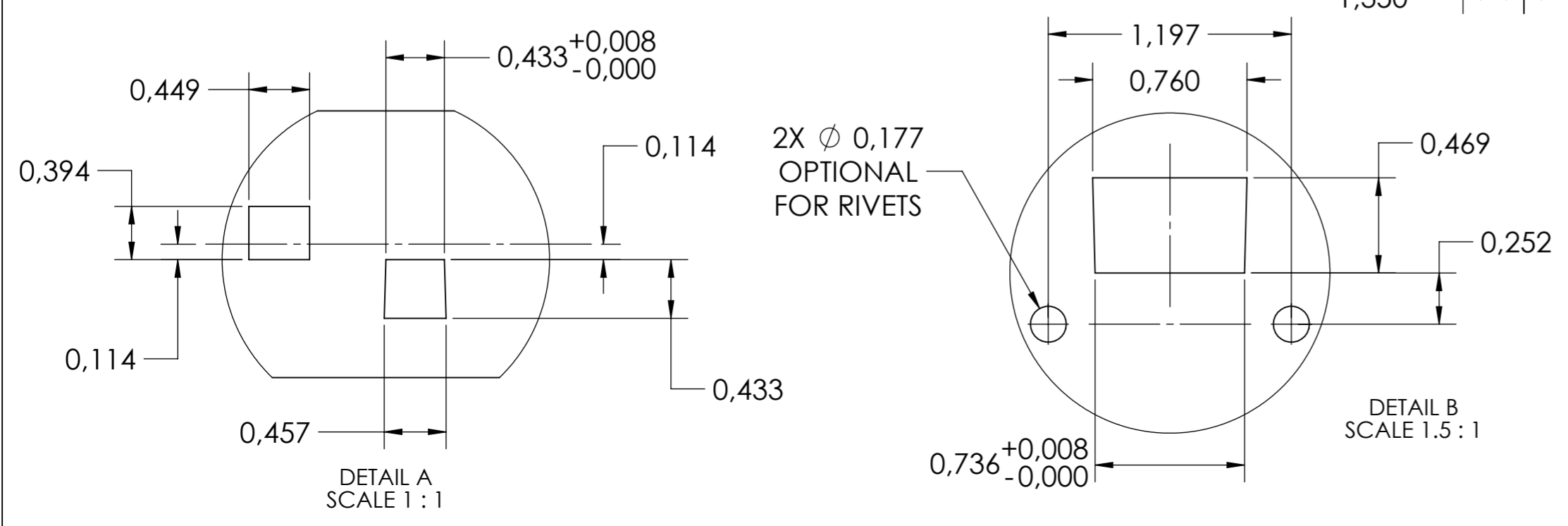
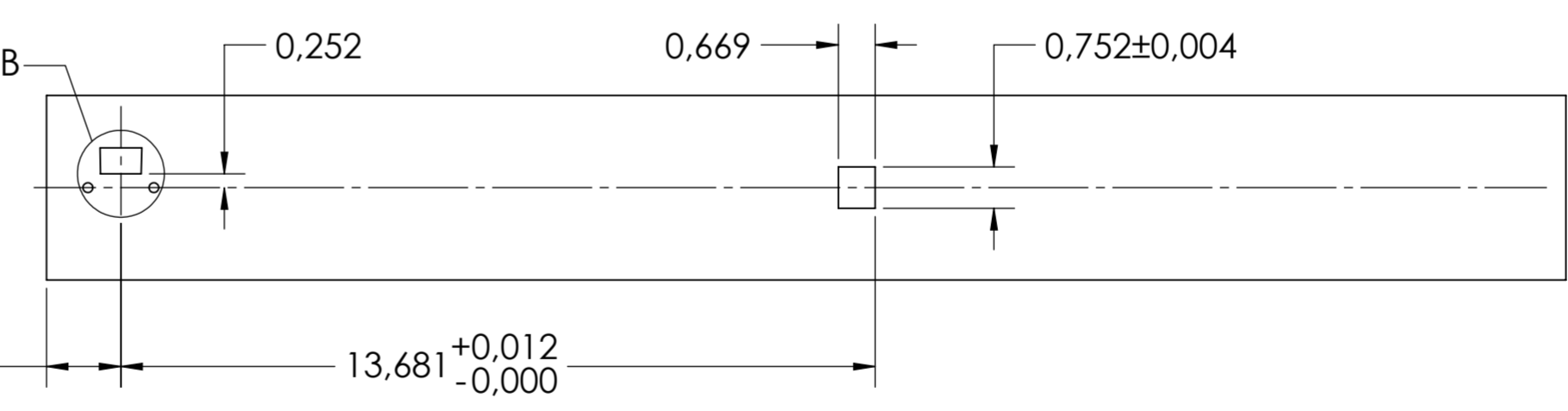
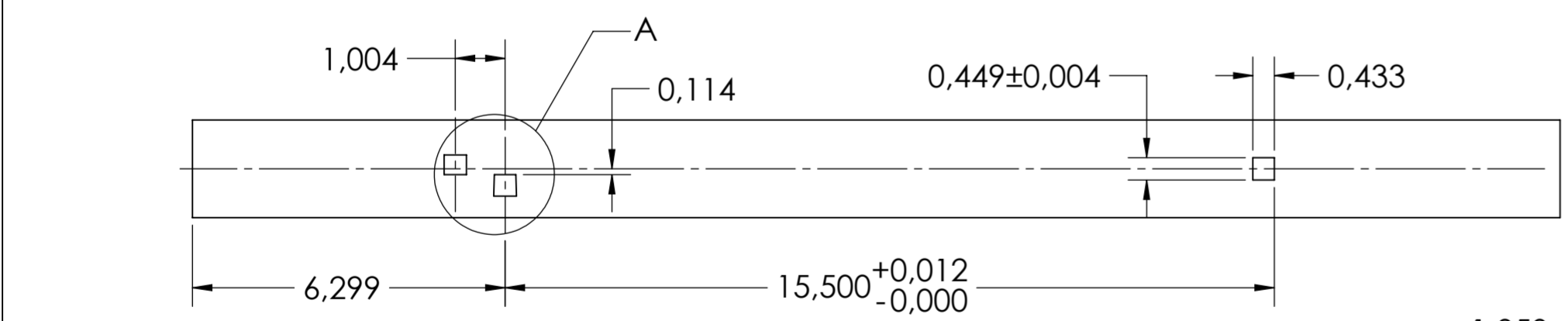
3,323
 INTERLOCK
 OPEN

SCALE 1:1



DRAWER MOUNTING CUTOUTS

CABINET MOUNTING CUTOUTS



general tolerances		DIN ISO 128-30 missing dimensions see 3D = theor. intersection	
ISO 2768-m			
This drawing remains our property and may not be multiplied neither be disclosed to third parties (§§1,3 and 5 from the copyright Act (UrhG)) covered according to DIN ISO 16016			
scale: 1:3		surface: A2	
drawn: 11-06-2019		name: HB	
proven: 00-00-0000		00	
		material: semi finished parts: STEEL (technical requirements Fulterer)	
		description: SIDE MOUNT OVER EXTENSION SMT (1.5) INTERLOCKING SLIDE WITH DRAWER DISCONNECT	
drawing number: 5219.700-GA.T120		replaces version date:	
ind.	changes	date	na.