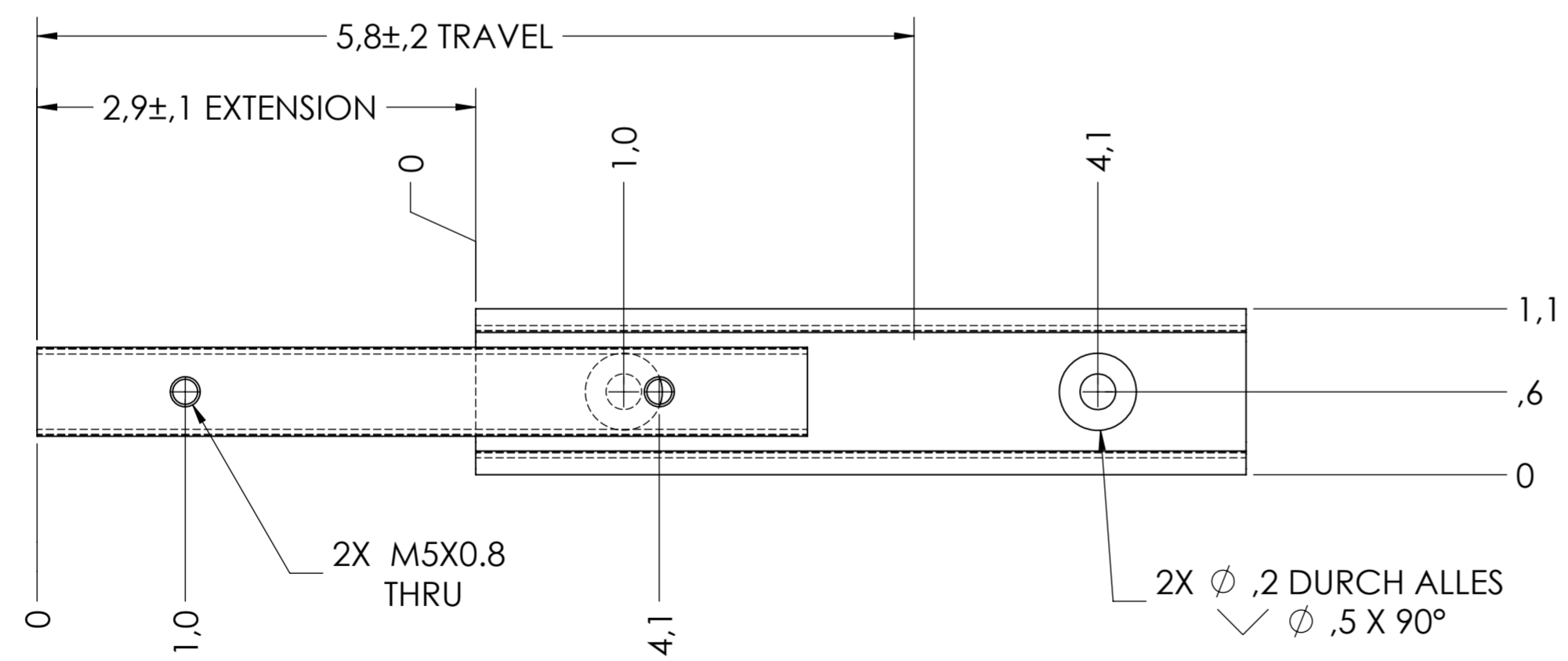
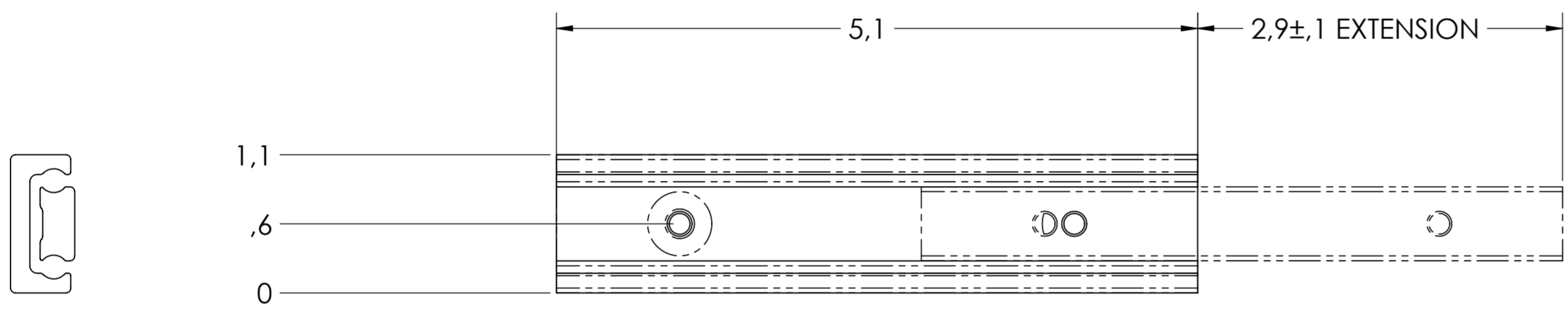


SCALE 1:1



RECOMMENDED HARDWARE:
 CABINET- M5 FLAT HEAD SCREWS
 DRAWER- M5 x .8 SCREWS

X

general tolerances		DIN ISO 128-30	
ISO 2768-m		missing dimensions see 3D	
		= theor. intersection	
This drawing remains our property and may not be multiplied neither be disclosed to third parties (§§1,3 and 5 from the copyright Act (UrhG)) covered according to DIN ISO 16016			
(k)	scale:	1:1:1	surface:
(l)	date:	23-07-2018	name:
(m)	drawn:	HB	
(n)	proven:	00-00-0000	00
(o)	Fulterer		description:
(p)			TWO-WAY TRAVEL SIDE MOUNT TWO-WAY TRAVEL SIDE MOUNT SUPER HEAVY DUTY SLIDE
(q)	Fulterer AG & Co KG A-6890 Lustenau / Austria		drawing number:
(r)	Fulterer AG CH-9430 St. Margrethen		5328.130-GA.T091
(s)	ind. changes		replaces version date:
(t)	date	na.	