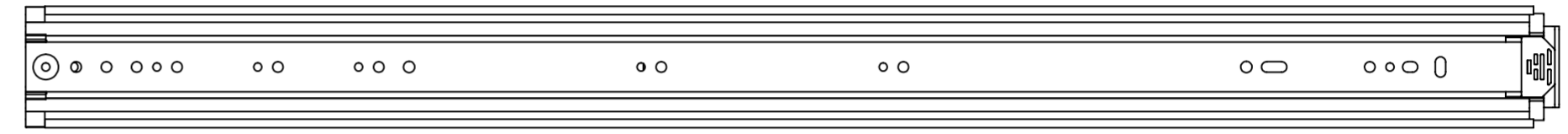
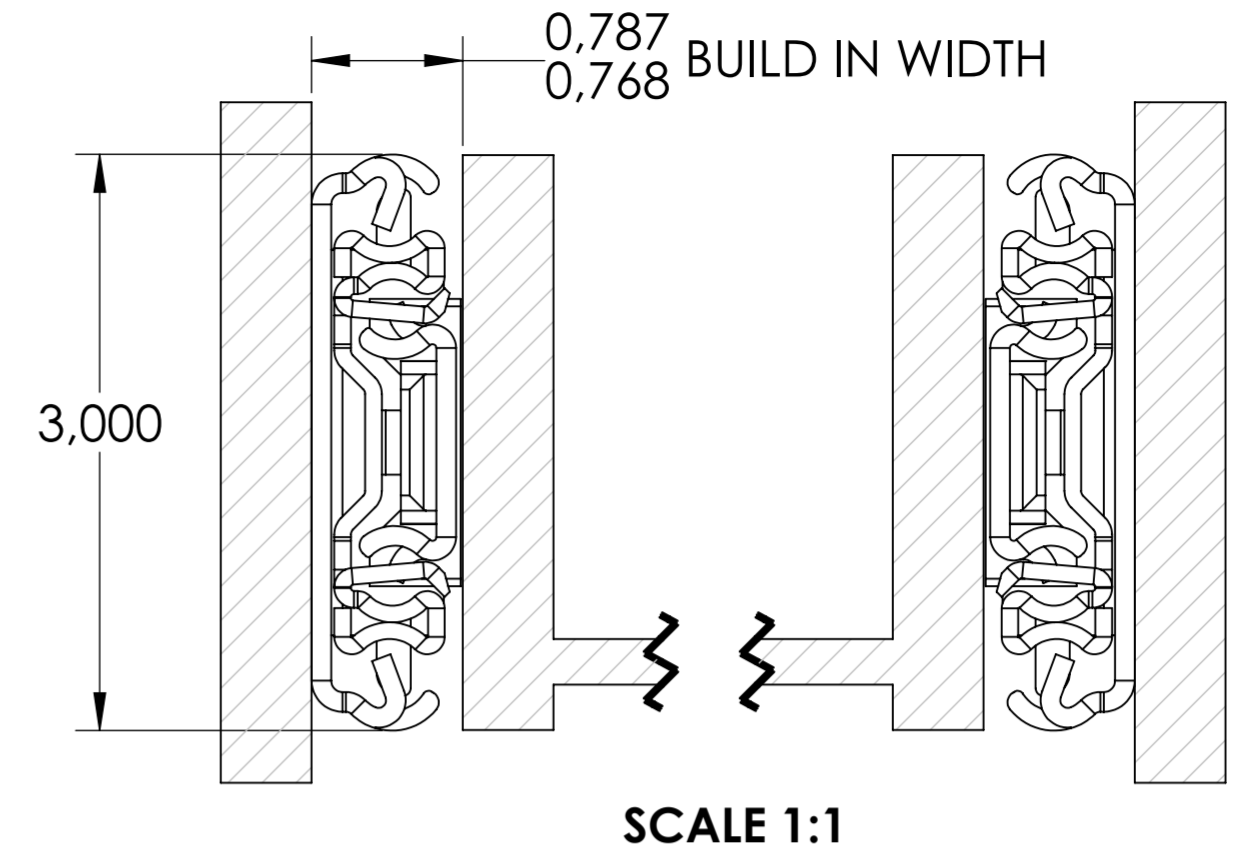
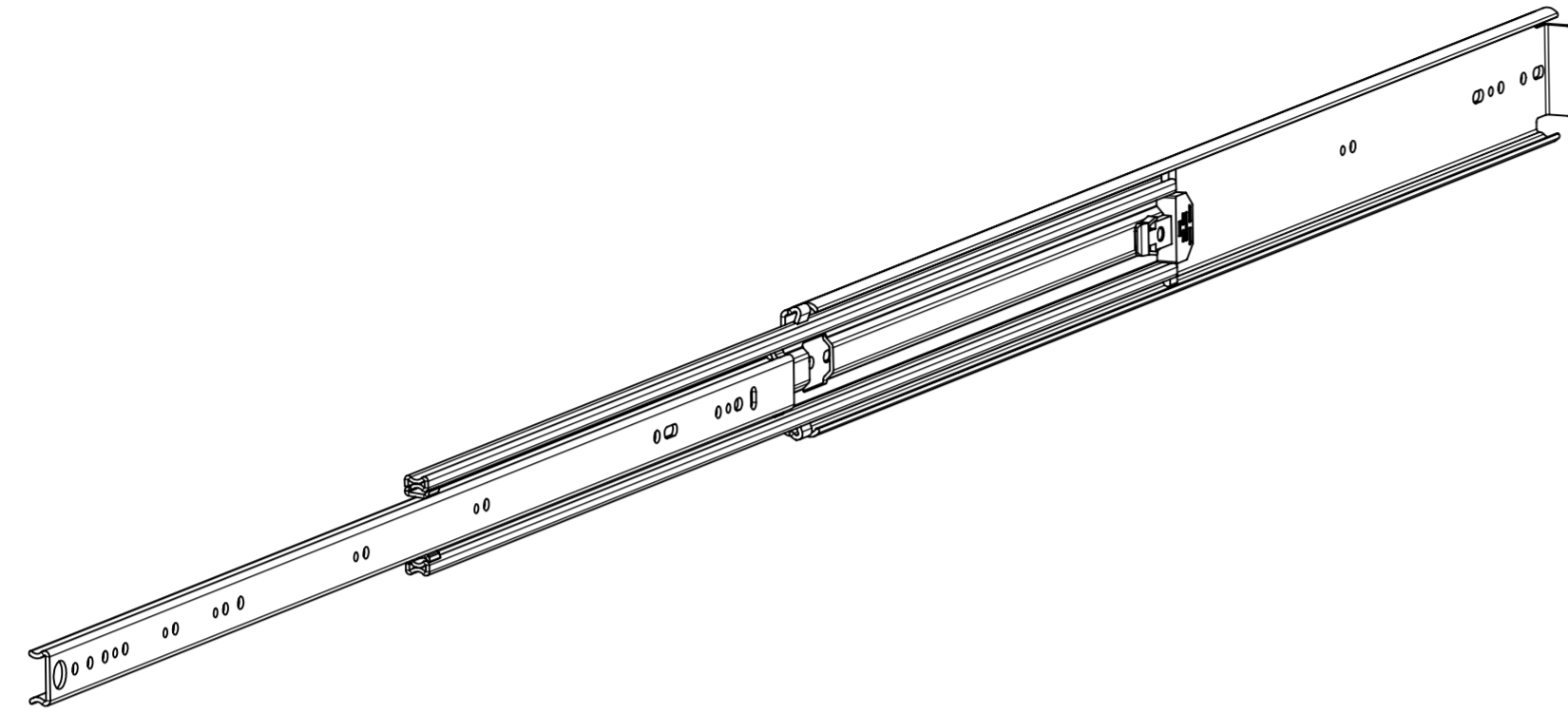
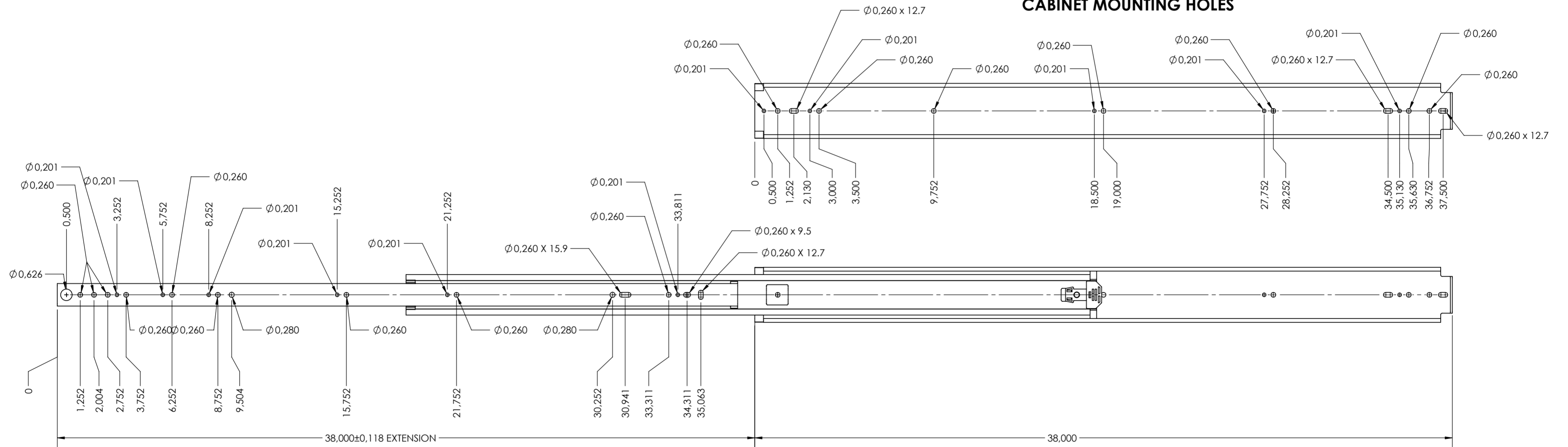


# 5400.38-GA.T018

X



## CABINET MOUNTING HOLES



RECOMMENDED HARDWARE:

CABINET- M6 OR 1/4 BUTTON HEAD SCREWS

DRAWER- M6 OR 1/4 BUTTON HEAD SCREWS

general tolerances		DIN ISO 128-30	
ISO 2768-m		missing dimensions see 3D = theor. intersection	
This drawing remains our property and may not be multiplied neither be disclosed to third parties (§§1,3 and 5 from the copyright Act (UrhG)) covered according to DIN ISO 16016			
(k)	scale: 1:4	surface:	material, semi finished parts: STEEL (technical requirements Fulterer)
(j)	date	name	description: FULL EXTENSION SIDE MOUNT HEAVY DUTY DRAWER SLIDE NON-DISCONNECT
(i)	drawn 27-07-2018	HB	
(h)	proven 00-00-0000	00	
(g)			
(f)	Fulterer AG & Co KG		drawing number: 5400.38-GA.T018
(e)	A-6890 Lustenau / Austria		
(d)	Fulterer AG		replaces version date:
(c)	CH-9430 St. Margrethen		
(b)	UPDATE TITLE BLOCK	19-03-2018	HB
(a)	changes	date	na.