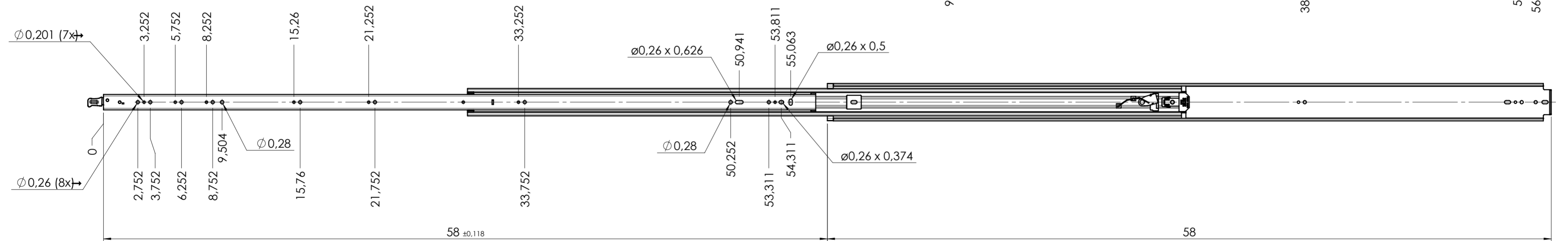
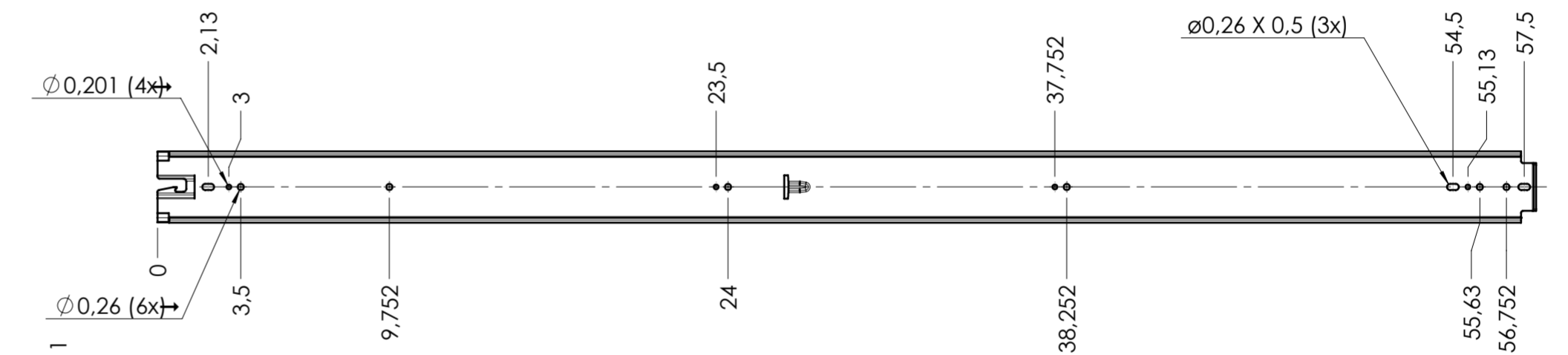


### CABINET MOUNTING HOLES



RECOMMENDED HARDWARE:  
 CABINET- M6 OR 1/4 BUTTON HEAD SCREWS  
 DRAWER- M6 OR 1/4 BUTTON HEAD SCREWS

general tolerances		DIN ISO 128-30	
ISO 2768-m		missing dimensions see 3D = theor. intersection	
This drawing remains our property and may not be multiplied neither be disclosed to third parties (§§1,3 and 5 from the copyright Act (UrhG)) covered according to DIN ISO 16016			
(k) (l) (m) (n) (o) (p) (q) (r) (s) (t) (u) (v)	scale:	1:6	surface:
	date:	27-05-2020	name:
drawn:	MW	description:	material, semi finished parts: STEEL (technical requirements Fulterer)
proven:	00-00-0000	00	description: FULL EXTENSION FLAT MOUNT HEAVY DUTY LOCK-IN/LOCK OUT NON-DISCONNECT SLIDE
		drawing number:	5400.58-GA.T054
Fulterer AG & Co KG A-6890 Lustenau / Austria Fulterer AG CH-9430 St. Margrethen		replaces version date:	
ind.	changes	date	na.