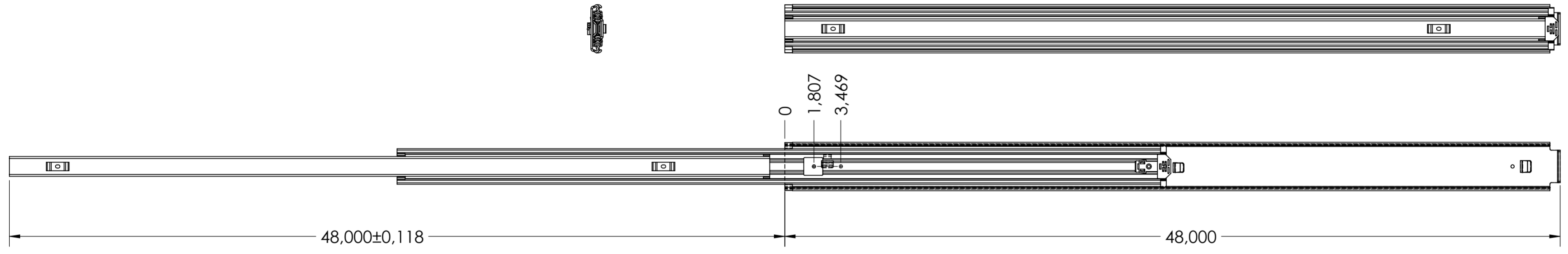
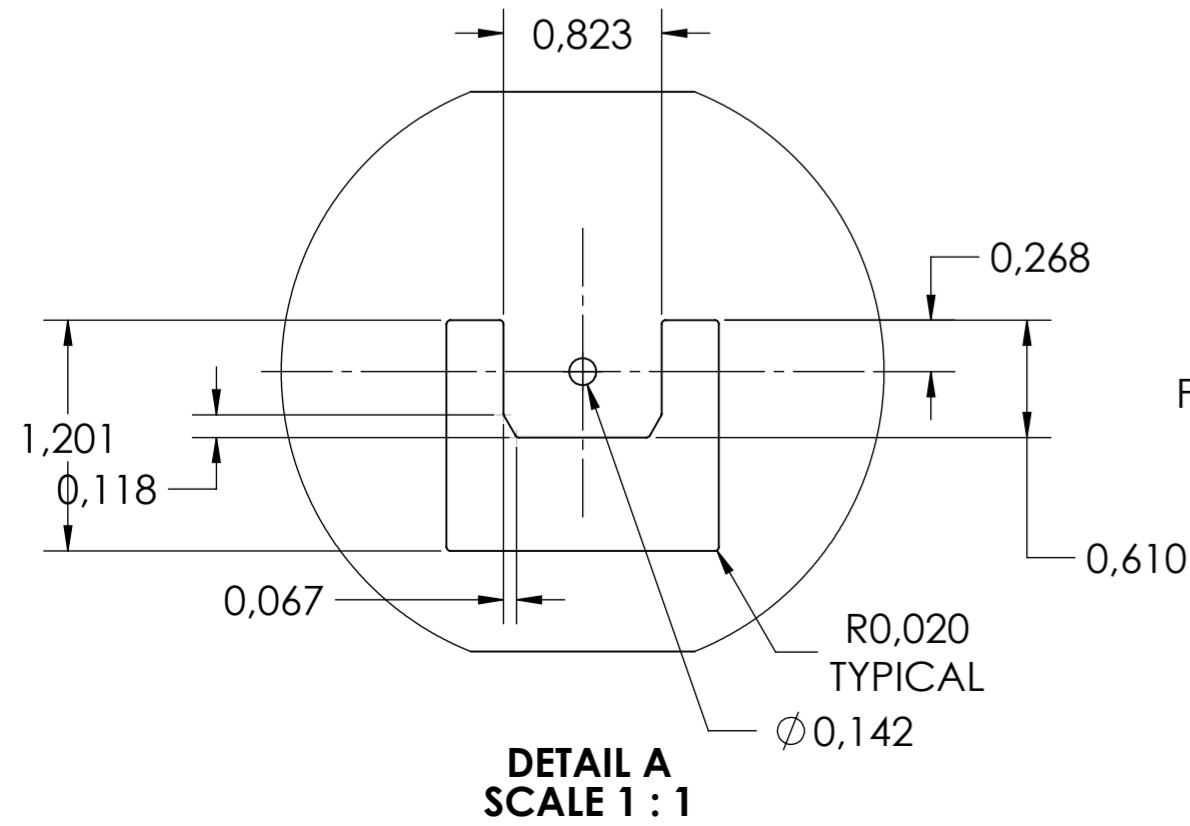
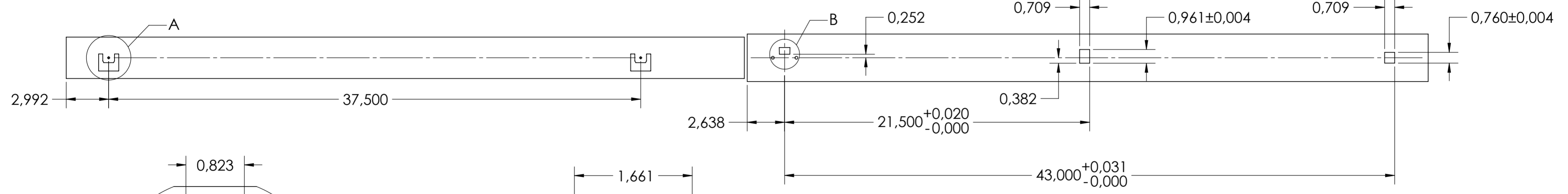


SCALE 1:1

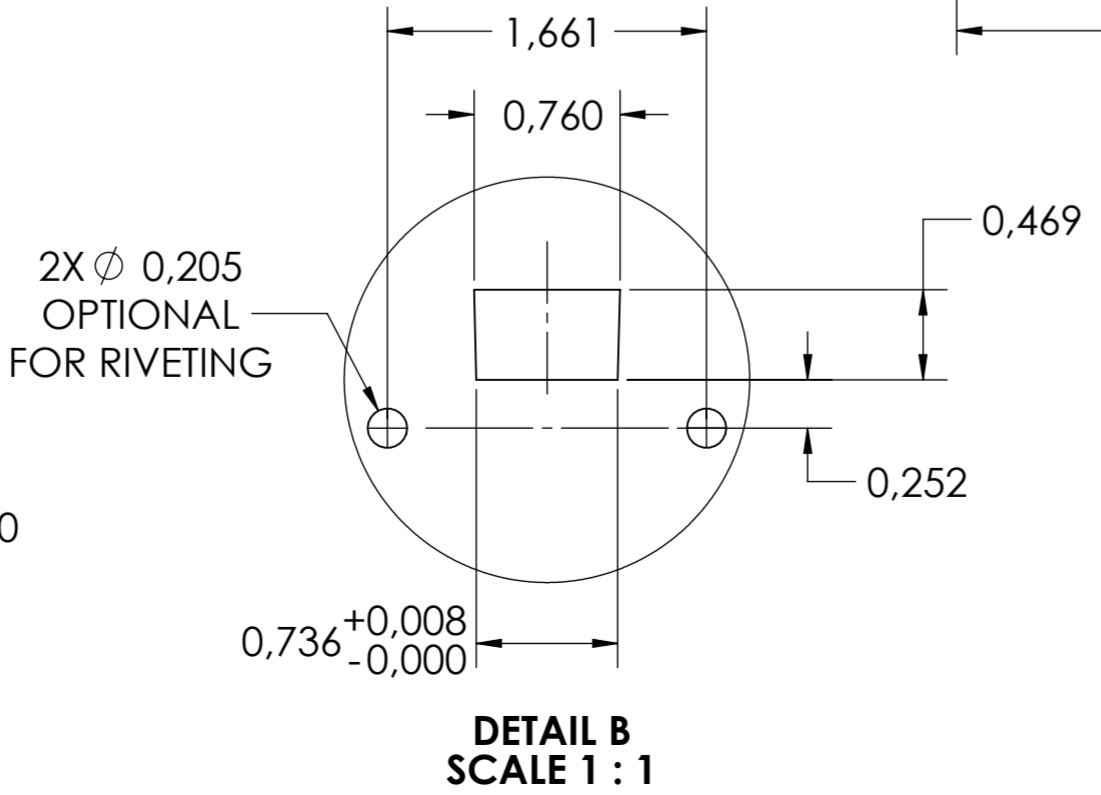


DRAWER MOUNTING CUTOUTS

CABINET MOUNTING CUTOUTS



**DETAIL A
SCALE 1:1**



**DETAIL B
SCALE 1:1**

general tolerances		DIN ISO 128-30 missing dimensions see 3D = theor. intersection	
ISO 2768-m			
This drawing remains our property and may not be multiplied neither be disclosed to third parties (§§1,3 and 5 from the copyright Act (UrhG))			
covered according to DIN ISO 16016		scale:	surface:
(k)		1:5	
(l)		date	name
(m)		drawn 30-07-2019	HB
(n)		proven 00-00-0000	00
(o)		Fulterer	
(p)			
(q)		material, semi finished parts: STEEL (technical requirements Fulterer)	
(r)		description: SIDE MOUNT FULL EXTENSION HD SMT SLIDE FOR 1.5mm THICK MATERIAL NON-DISCONNECT	
(s)		drawing number: 5400.48-GA.T114	
(t)		replaces version date:	
(u)		drawing number: 5400.48-GA.T114	
(v)		replaces version date:	
(w)		drawing number: 5400.48-GA.T114	
(x)		replaces version date:	
(y)		drawing number: 5400.48-GA.T114	
(z)		replaces version date:	
ind.	changes	date	na.