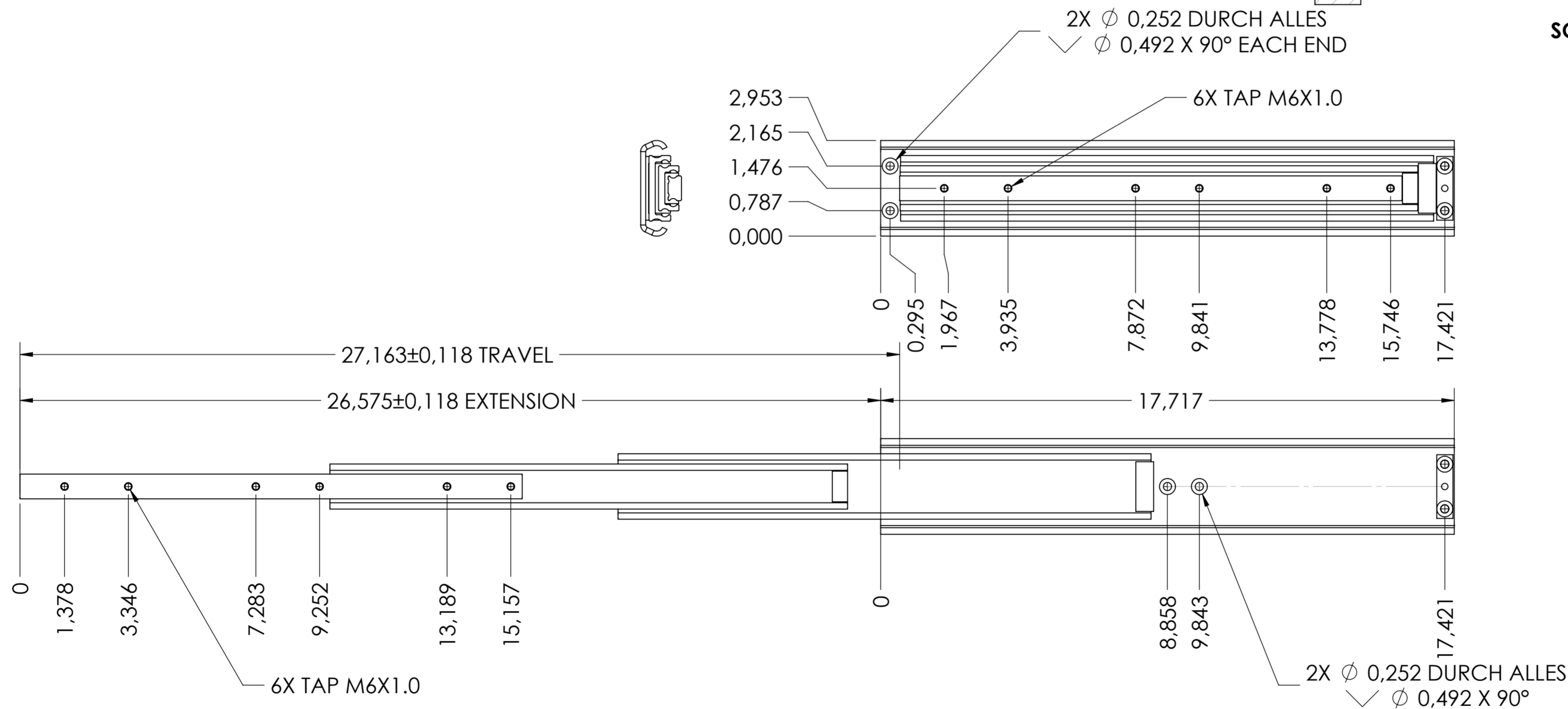


SCALE 1:1



RECOMMENDED HARDWARE:
 CABINET- M6 FLAT HEAD SCREWS
 (2) REAR SCREWS ARE 12mm LONGER THAN FRONT/MIDDLE LOCATIONS
 DRAWER- M6 x 1.0 SCREWS

general tolerances		DIN ISO 128-30 missing dimensions see 3D = theor. intersection	
ISO 2768-m			
This drawing remains our property and may not be multiplied neither be disclosed to third parties (§§1,3 and 5 from the copyright Act (UrhG)) covered according to DIN ISO 16016			
(k)	scale:	1:3	surface:
(l)	date:	17-12-2018	name:
(m)	drawn:	HB	
(n)	proven:	00-00-0000	00
(o)	Fulterer		material, semi finished parts:
(p)			STEEL
(q)	Fulterer AG & Co KG		(technical requirements Fulterer)
(r)	A-6890 Lustenau / Austria		description:
(s)	Fulterer AG		150% EXTENSION SIDE MOUNT
(t)	CH-9430 St. Margrethen		150% EXTENSION SIDE MOUNT
(u)			AVY DUTY DRAWER SLIDE
(v)			NON-DISCONNECT
(w)			drawing number:
(x)			5432.450-GA.T093
(y)			replaces version date:
(z)			
ind.	changes	date	na.