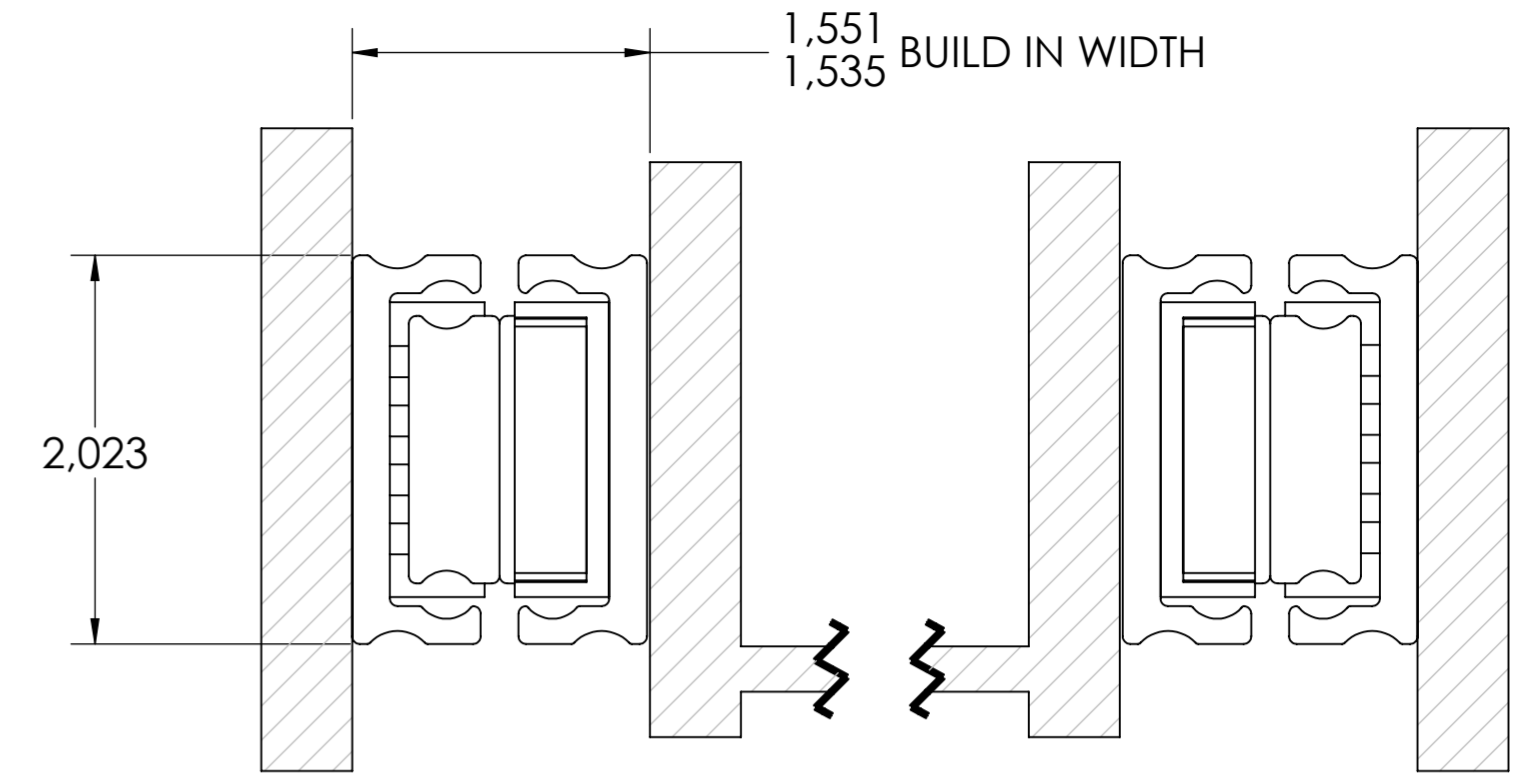
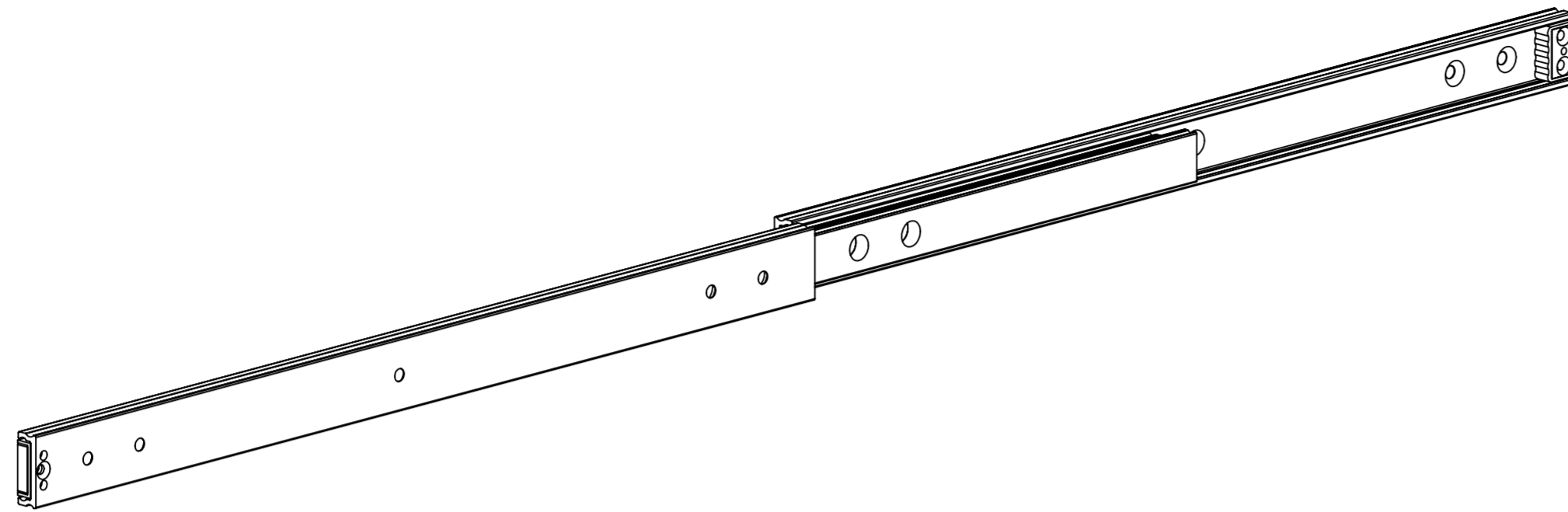
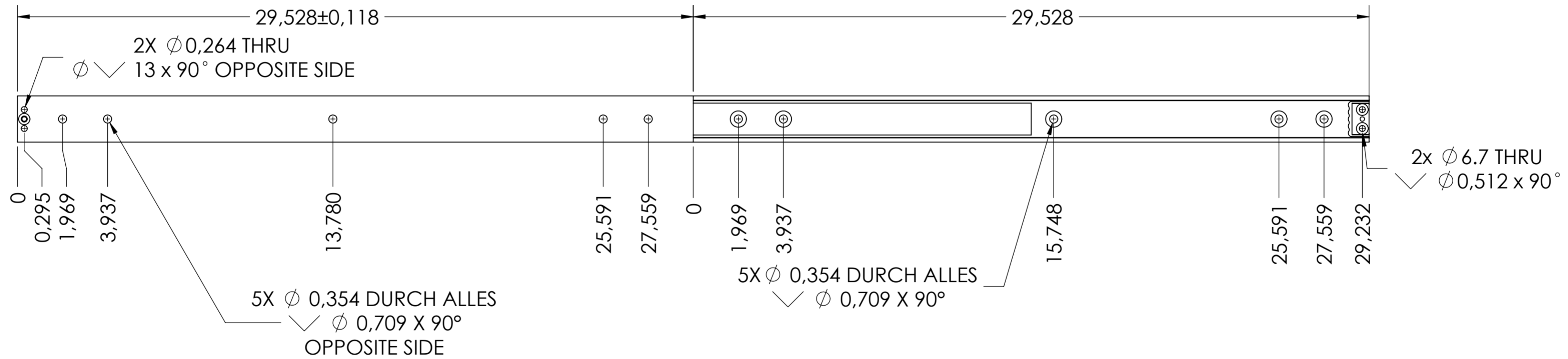
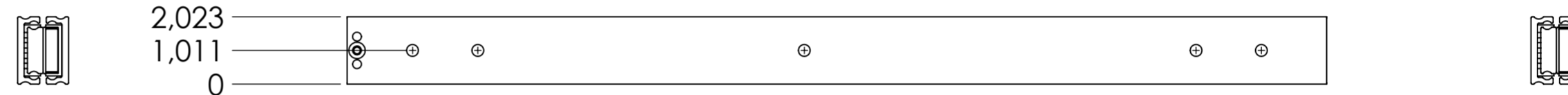


5439.750-GA.T090

X



SCALE 1:1



RECOMMENDED HARDWARE:
CABINET- M8 OR M6 FLATHEAD SCREWS
DRAWER- M8 OR M6 FLATHEAD SCREWS

| | | | |
|--|---------|--|----------|
| general tolerances | | DIN ISO 128-30 missing dimensions see 3D = theor. intersection | |
| ISO 2768-m | | | |
| This drawing remains our property and may not be multiplied neither be disclosed to third parties (§§1,3 and 5 from the copyright Act (UrhG)) covered according to DIN ISO 16016 | | | |
| (k) | | scale: | surface: |
| (l) | | 1:4 | |
| (m) | | date | name |
| (n) | | drawn 17-12-2018 | HB |
| (o) | | proven 00-00-0000 | 00 |
| (p) | | Fullterer | |
| (q) | | | |
| (r) | | Fullterer AG & Co KG A-6890 Lustenau / Austria | |
| (s) | | Fullterer AG CH-9430 St. Margrethen | |
| (t) | | drawing number: 5439.750-GA.T090 | |
| (u) | | replaces version date: | |
| (v) | 0 | 00-00-0000 | 0 |
| (w) | changes | date | na. |