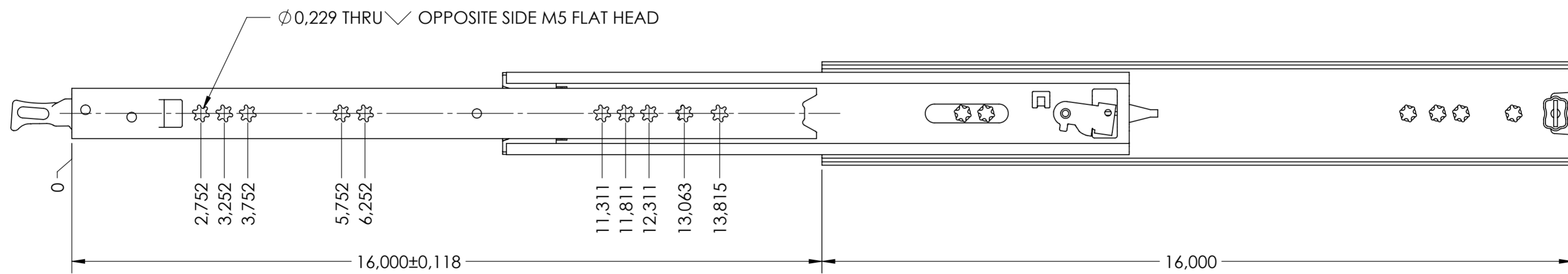
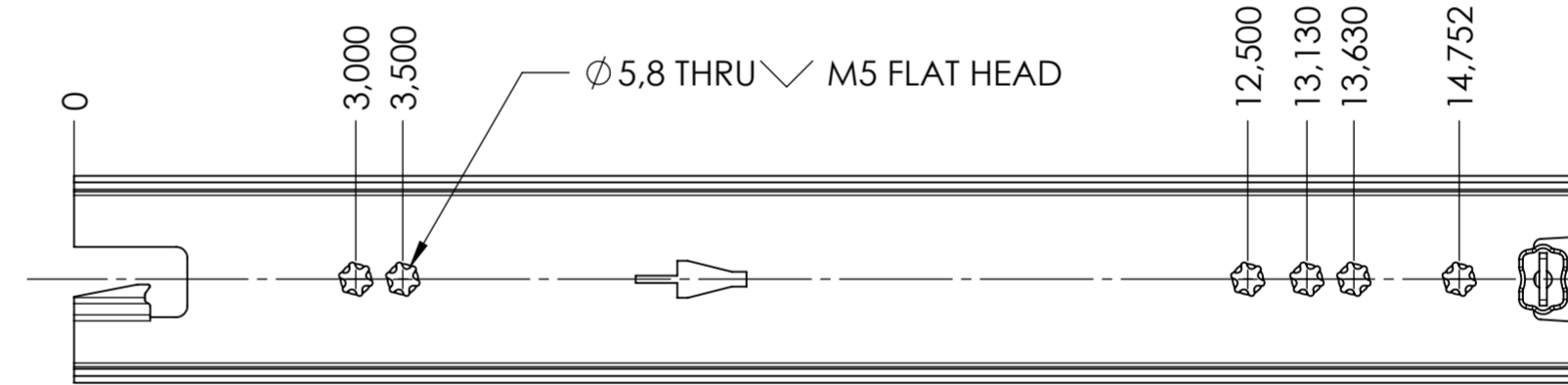


### CABINET MOUNTING HOLES



### RECOMMENDED HARDWARE:

CABINET- M5 FLAT HEAD SCREW #10 FLAT HEAD SCREW

DRAWER- M5 FLAT HEAD SCREW OR #10 FLAT HEAD SCREW

general tolerances		DIN ISO 128-30 missing dimensions see 3D = theor. intersection	
ISO 2768-m			
This drawing remains our property and may not be multiplied neither be disclosed to third parties (§§1,3 and 5 from the copyright Act (UrhG)) covered according to DIN ISO 16016			
(k)	scale:	surface:	material, semi finished parts:
(l)	1:2		STEEL
(m)	date	name	(technical requirements Fulterer)
(n)	drawn 01-02-2022	MW	description: FULL EXTENSION SIDE MOUNT LOCK IN LOCK OUT DRAWER SLIDE WITH DRAWER DISCONNECT
(o)	proven 00-00-0000	00	
(p)	<b>Fulterer</b>		drawing number: <b>5609.16-GA.T058</b>
(q)			
(r)	Fulterer AG CH-9430 St. Margrethen		replaces version date:
(s)	changes	date	na.