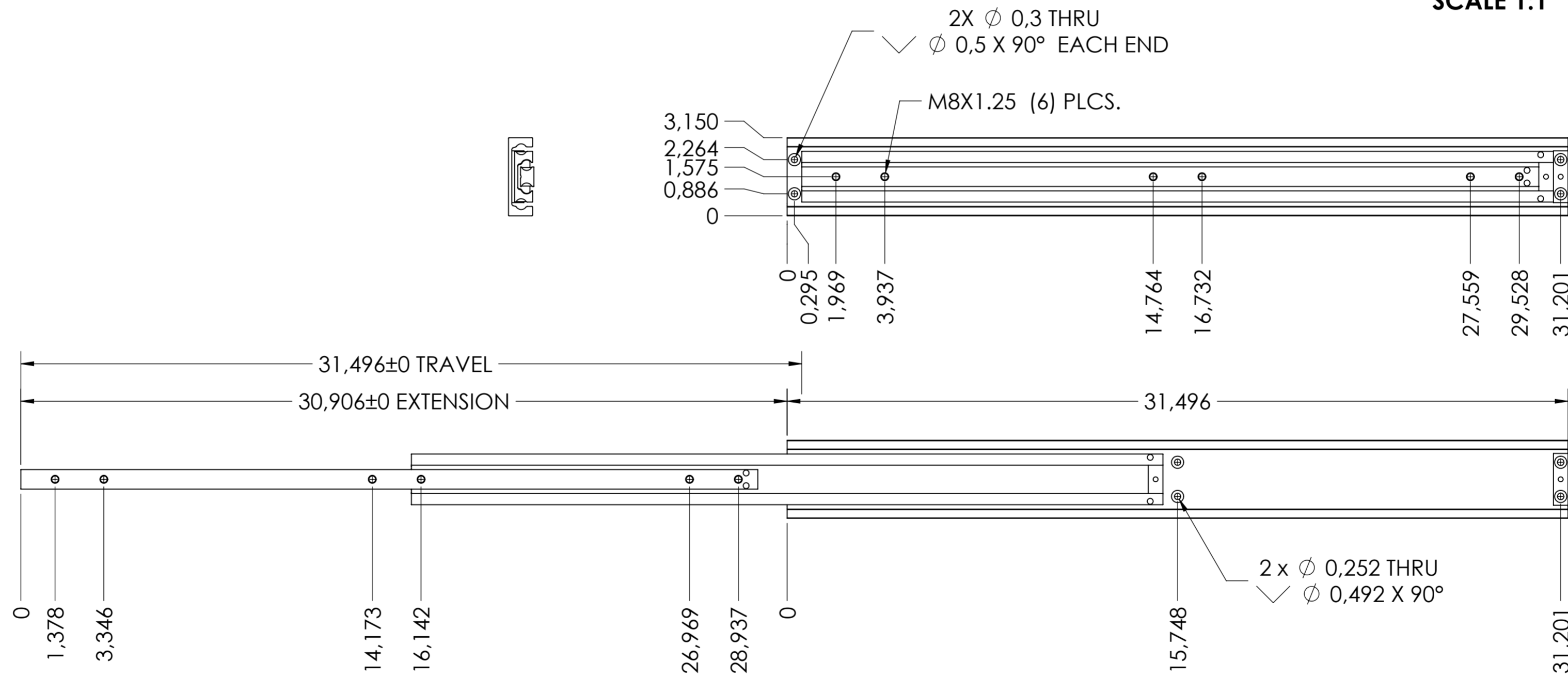


SCALE 1:1



RECOMMENDED HARDWARE:
 CABINET- M6 FLAT HEAD SCREWS
 (2) REAR SCREWS 12mm LONGER THAN FRONT/MIDDLE LOCATIONS
 DRAWER- M8 x 1.25 SCREWS

general tolerances		DIN ISO 128-30 missing dimensions see 3D = theor. intersection	
ISO 2768-m			
This drawing remains our property and may not be multiplied neither be disclosed to third parties (§§1,3 and 5 from the copyright Act (UrhG)) covered according to DIN ISO 16016			
(k) (l) (m) (n) (o) (p) (q) (r) (s) (t) (u) (v) (w) (x) (y) (z)	scale:	1:4	surface:
	date:	20-07-2018	name:
drawn:	HB	proven:	00
		material, semi finished parts: ALUMINUM (technical requirements Fulterer)	
Fulterer AG & Co KG A-6890 Lustenau / Austria Fulterer AG CH-9430 St. Margrethen		description: FULL EXTENSION SIDE MOUNT SUPER HEAVY DUTY ALUMINUM SLIDE	
drawing number: 5826.800-GA.T094		replaces version date:	
ind.	changes	date	na.