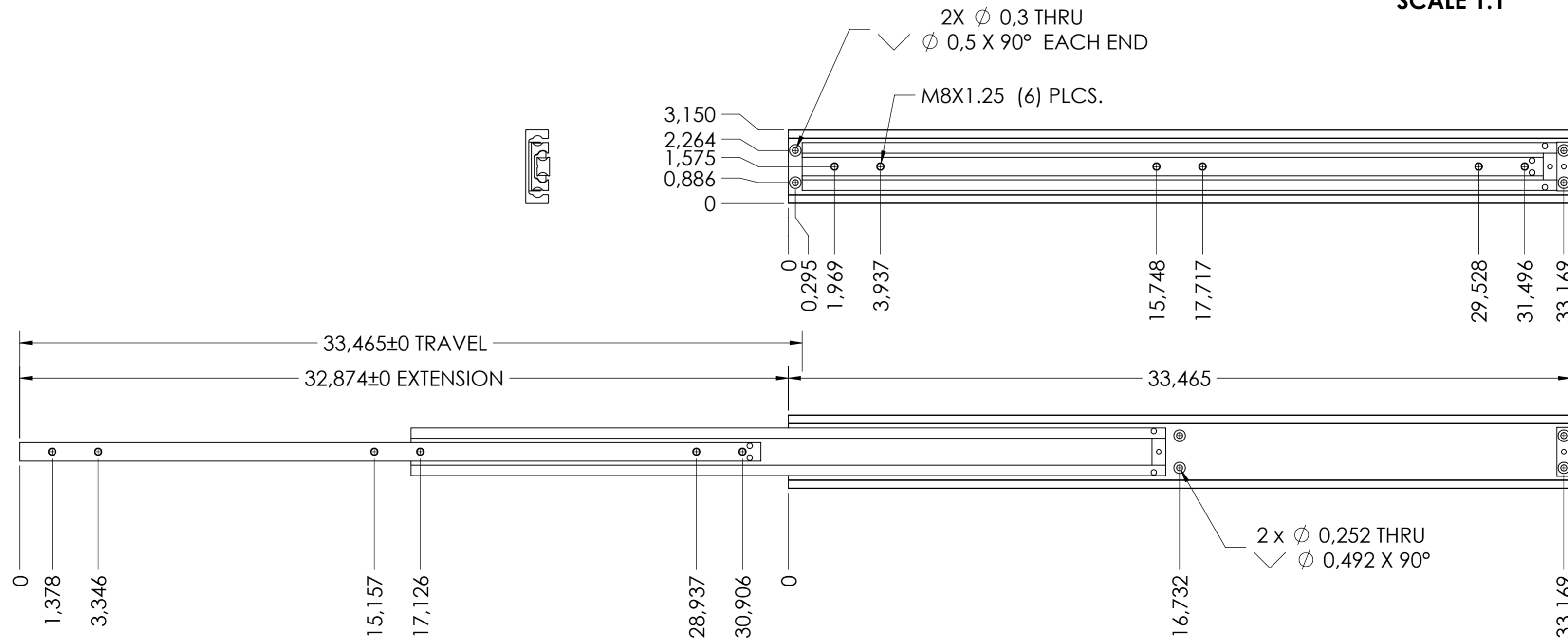


SCALE 1:1



RECOMMENDED HARDWARE:
 CABINET- M6 FLAT HEAD SCREWS
 (2) REAR SCREWS 12mm LONGER THAN FRONT/MIDDLE LOCATIONS
 DRAWER- M8 x 1.25 SCREWS

| | | | |
|---|--|--|--|
| general tolerances | | DIN ISO 128-30 missing dimensions see 3D = theor. intersection | |
| ISO 2768-m | | | |
| This drawing remains our property and may not be multiplied neither be disclosed to third parties (§§1,3 and 5 from the copyright Act (UrhG)) covered according to DIN ISO 16016 | | | |
| scale: | | surface: | |
| 1:4 | | ALUMINUM | |
| date | | name | |
| drawn 20-07-2018 | | HB | |
| proven 00-00-0000 | | 00 | |
| description: | | FULL EXTENSION SIDE MOUNT SUPER HEAVY DUTY ALUMINUM SLIDE | |
| drawing number: | | 5826.850-GA.T094 | |
| replaces version date: | | | |
| changes | | date na. | |
| ind. | | na. | |